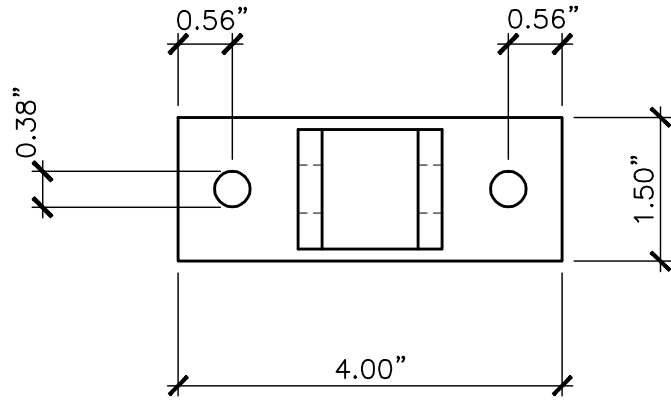
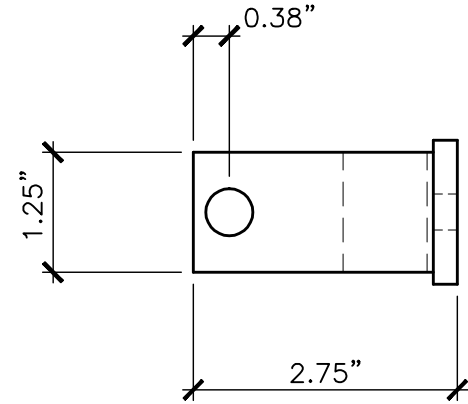


NOTE:
 TO USE AS A GATE LATCH
 PAIR WITH ITEM #5000-01SP

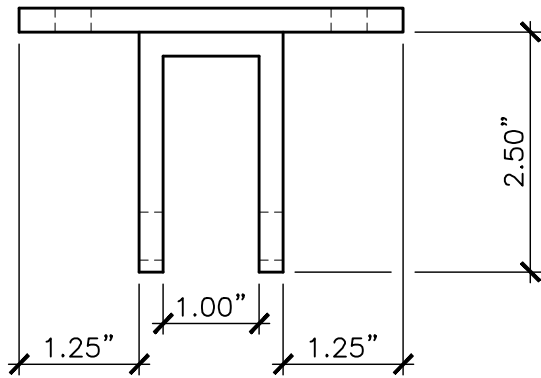
PROPERTY OF: SNUG COTTAGE HARDWARE LLC MARYSVILLE MI. 48040	PRODUCT DESCRIPTION: 36" CANE/DROP BOLT COMPLETE WITH KEEP ALL DIMENSIONS $\pm 0.125"$	PART NUMBER: 5000-362/36SP
---	--	-------------------------------



FRONT

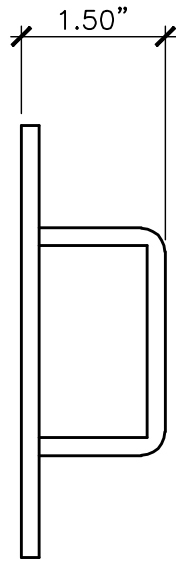


END

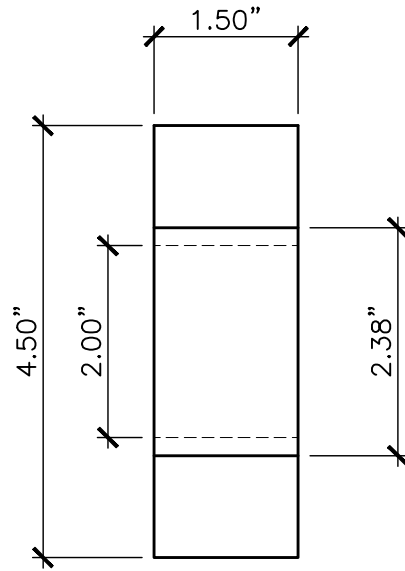


TOP

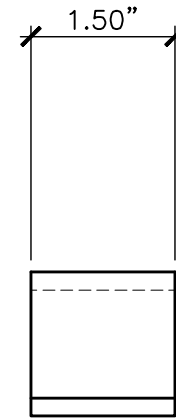
<p>PROPERTY OF: SNUG COTTAGE HARDWARE LLC MARYSVILLE MI. 48040</p>	<p>PRODUCT DESCRIPTION: LOCKING RETAINER ALL DIMENSIONS $\pm 0.125"$</p>	<p>PART NUMBER: 5000-012/01SP</p>
--	---	--



SIDE



FRONT



TOP

PROPERTY OF:

SNUG COTTAGE
HARDWARE LLC
MARYSVILLE MI.
48040

PRODUCT DESCRIPTION:

KEEP FOR 36" x 7/8" CANE BOLT

ALL DIMENSIONS $\pm 0.125"$

PART NUMBER:

5000-012/01SP