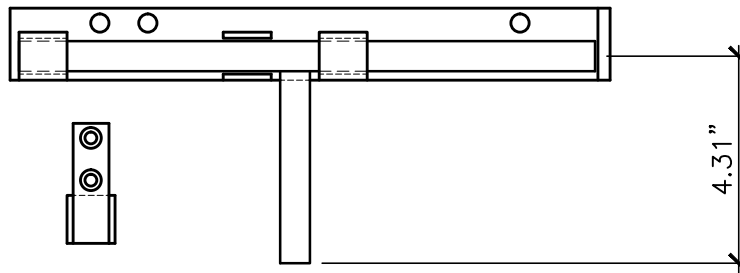
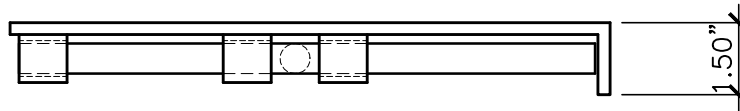


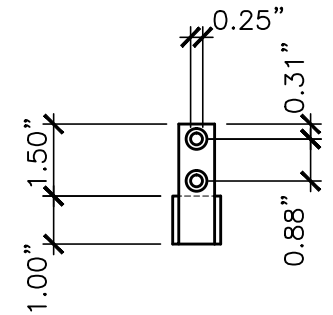
FRONT – SLIDE BOLT EXTENDED



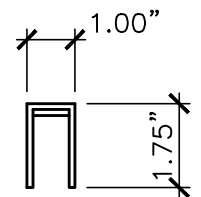
FRONT – SLIDE BOLT PULLED IN



SIDE VIEW – SLIDE BOLT PULLED IN



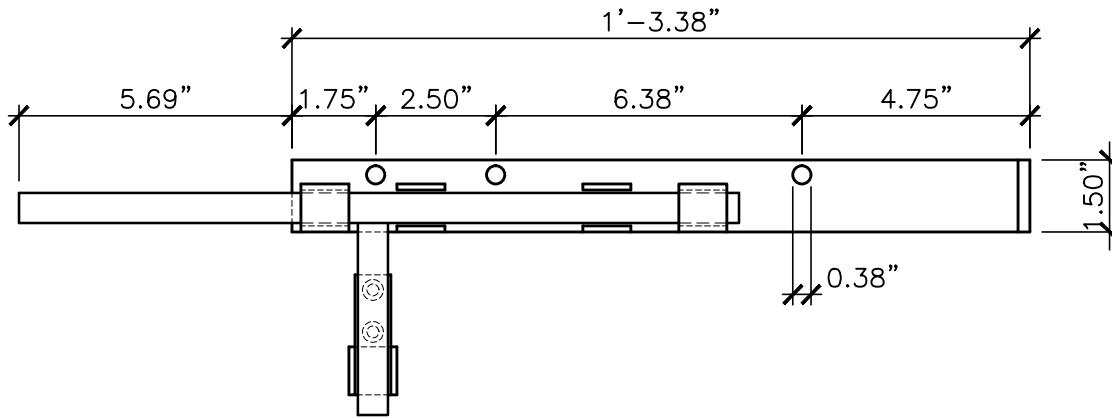
FRONT VIEW LATCH



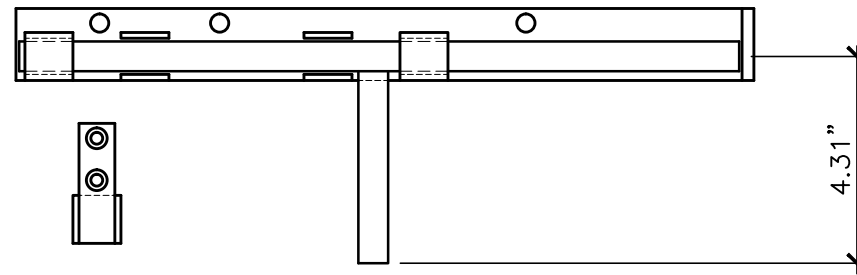
SIDE VIEW LATCH

NOTE:
PAIR WITH ITEM #5000-002/00SP
TO USE AS A GATE LATCH

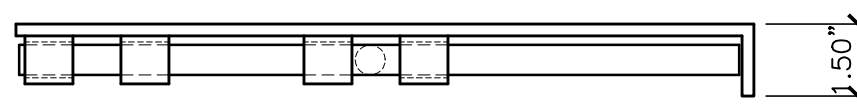
PROPERTY OF: SNUG COTTAGE HARDWARE LLC MARYSVILLE MI. 48040	PRODUCT DESCRIPTION: 12" SLIDE BOLT GATE LATCH / CANE BOLT WITH LATCH ALL DIMENSIONS ±0.125"	PART NUMBER: 5000-122/12SP
---	--	-------------------------------



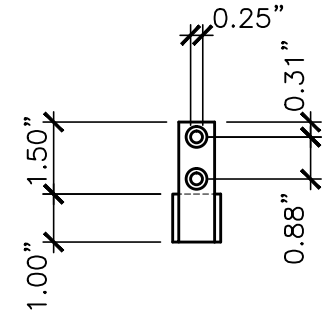
FRONT — SLIDE BOLT EXTENDED



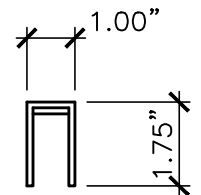
FRONT — SLIDE BOLT PULLED IN



SIDE VIEW — SLIDE BOLT PULLED IN



FRONT VIEW LATCH

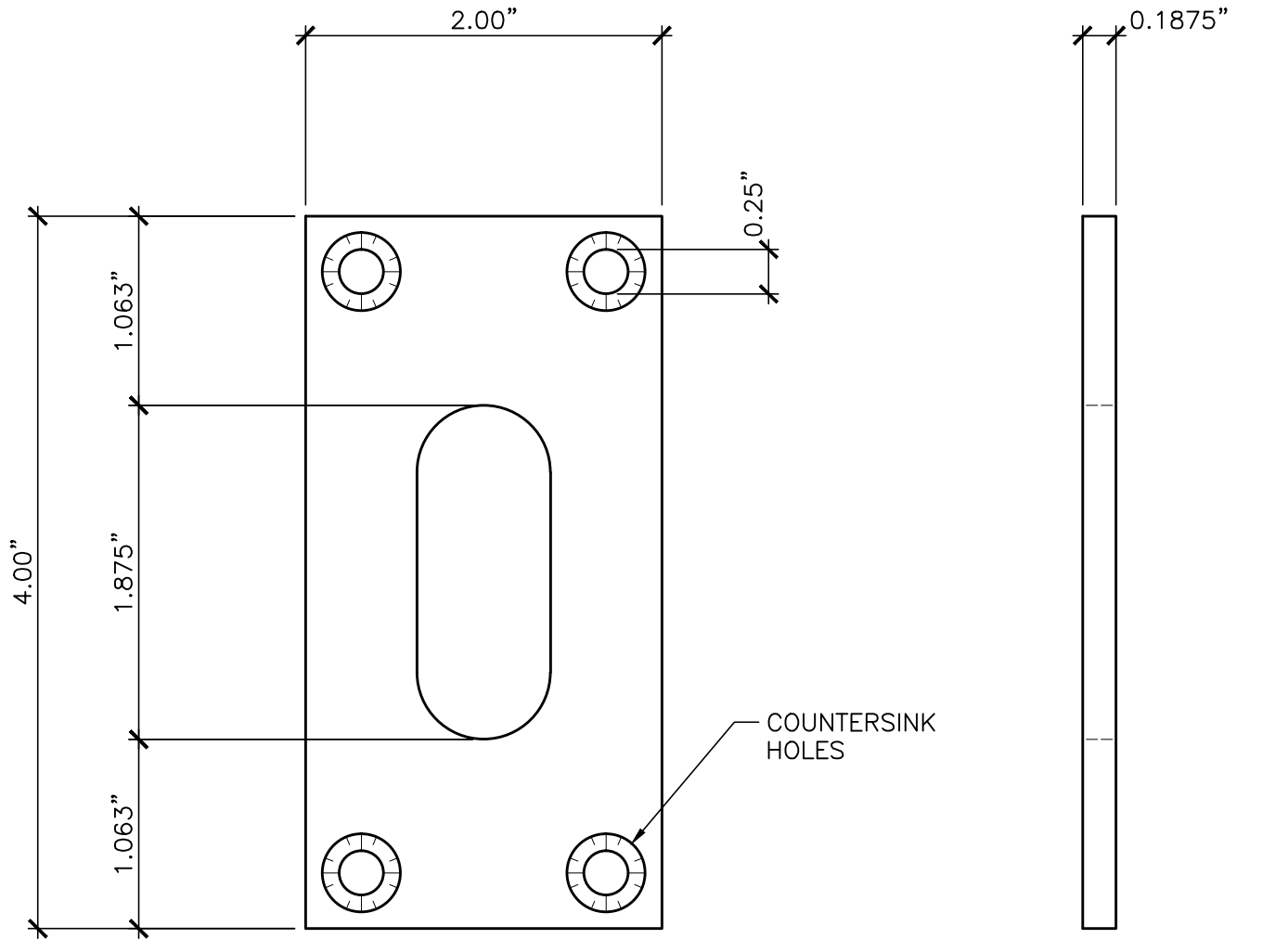


SIDE VIEW LATCH

NOTE:

PAIR WITH ITEM #5000-002/00SP
TO USE AS A GATE LATCH

<p>PROPERTY OF: SNUG COTTAGE HARDWARE LLC MARYSVILLE MI. 48040</p>	<p>PRODUCT DESCRIPTION: 15" SLIDE BOLT GATE LATCH / CANE BOLT WITH LATCH ALL DIMENSIONS ±0.125"</p>	<p>PART NUMBER: 5000-152/15SP</p>
--	---	---------------------------------------



FRONT PROFILE

SIDE PROFILE

<p>PROPERTY OF: SNUG COTTAGE HARDWARE LLC MARYSVILLE MI. 48040</p>	<p>PRODUCT DESCRIPTION: HEAVY ESCUTCHEON PLATE ALL DIMENSIONS $\pm 0.125"$</p>	<p>PART NUMBER: 5000-022/02SP</p>
--	---	--