

<p>PROPERTY OF: SNUG COTTAGE HARDWARE LLC MARYSVILLE MI. 48040</p>	<p>PRODUCT DESCRIPTION: CRANK BAND STRAP HINGE SPEC SHEET SEE ACCOMPANYING DIMENSIONS AND SIZES SHEET www.snugcottagehardware.com</p>	<p>PART NUMBER: 8295</p>
--	---	---------------------------------------

SNUG COTTAGE HARDWARE
Cranked Strap Hinges (8295)
Dimensions and Sizes

Strap Length (inches)	DIMENSION (inches)												
	A	B	C	D	E	F	G	H	J	K	L	O	N
12 8295-122/SP	12.5	1.5	1.785	3.875	6	11	NA	0.5	0.25	2.375	7/16" for 3/8" carriage bolt	1	0.1875
18 8295-182/SP	18.5	2	2	4.875	6.75	11.625	16.5	0.5	0.25	3.25	9/16" for 1/2" carriage bolt	1.1875	0.1875
24 8295-242/SP	24.5	2.25	2.25	4.75	7.625	15.5	22.625	0.5	0.25	3.25	9/16" for 1/2" carriage bolt	1.1875	0.1875
36 8295-362/SP	36.5	2.25	2.375	5.5	12.5	20.625	28.5**	0.5	0.25	3.75	9/16" for 1/2" carriage bolt	1.1875	0.1875

* Dimensions are +/- 0.125 inches

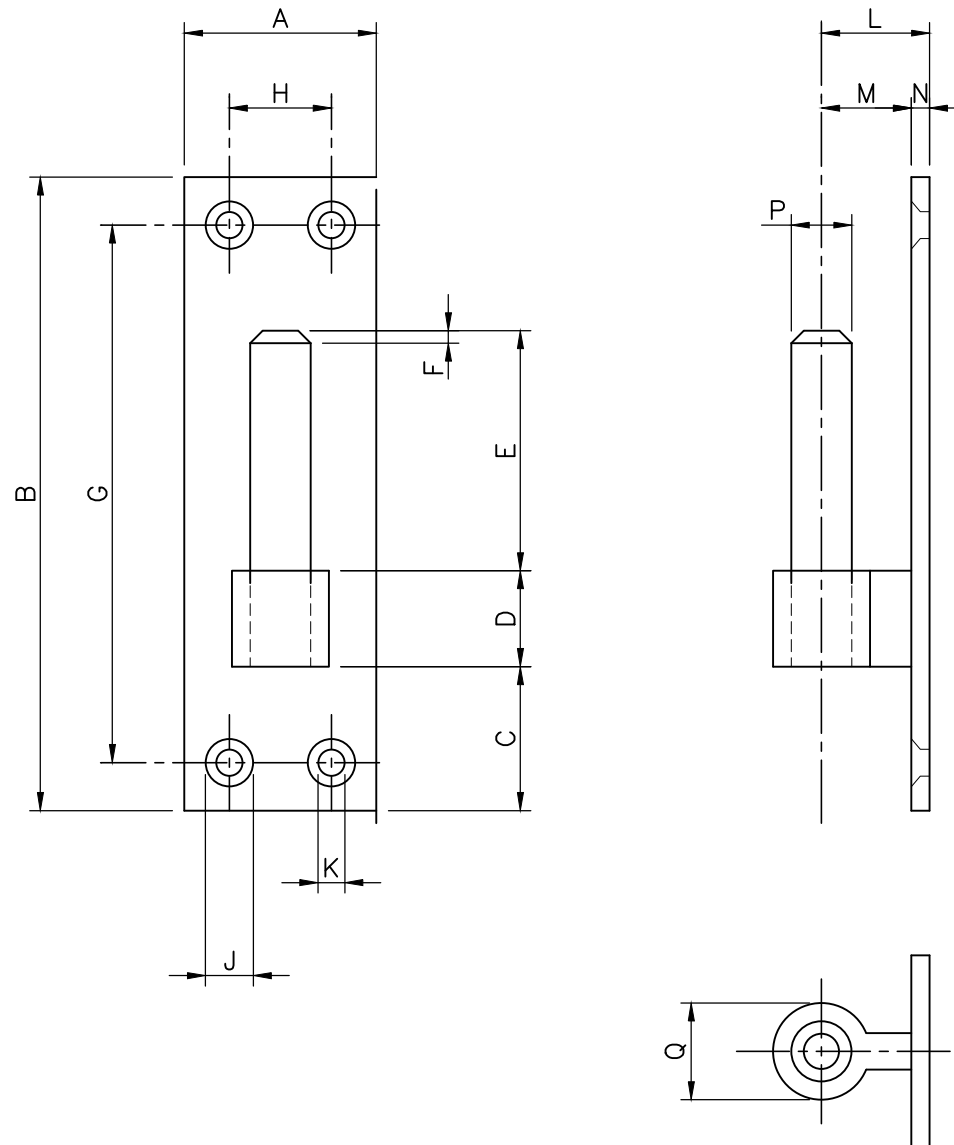
** 36" Strap has a 4th hole 34.5" from the center of the eye

NA = Not Applicable for this size

SNUG COTTAGE HARDWARE
Cranked Band Pin on Plate (8295)
Dimensions and Sizes

Strap Length (inches)	DIMENSION (inches)														
	A	B	C	D	E	F	G	H	J	K	L	M	N	P	Q
12 8295-122/SP	1.5	5.25	1.5	0.75	2.125	0.0625	4	0.875	0.5	0.25	1	0.8125	0.1875	0.5	0.875
18 8295-182/SP	1.875	6.5	1.5	1	2.5	0.0625	5.25	1.25	0.5	0.25	1.25	1.0625	0.1875	0.625	1
24 8295-242/SP	2.25	6.5	1.75	1	2.625	0.0625	5.25	1.375	0.5	0.25	1.25	1.0625	0.1875	0.625	1
36 8295-362/SP	2.25	8	1.75	1	2.625	0.125	6.75	1.375	0.5	0.25	1.25	1.0625	0.1875	0.75	1.125

* Dimensions are +/- 0.125 inches
NA = Not Applicable for this size



PROPERTY OF:
 SNUG COTTAGE
 HARDWARE LLC
 MARYSVILLE MI.
 48040

PRODUCT DESCRIPTION:
 HOOK ON PLATE
 SEE ACCOMPANYING DIMENSIONS AND SIZES SHEET
www.snugcottagehardware.com

PART NUMBER:
 8295