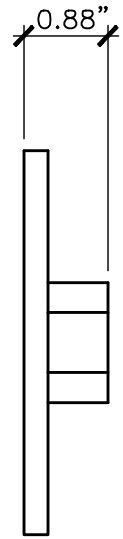
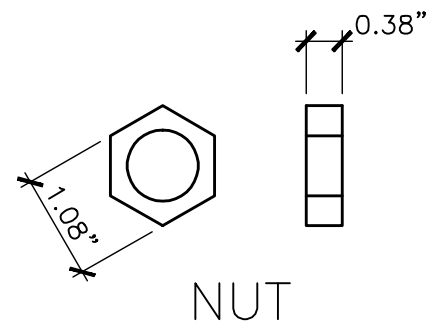


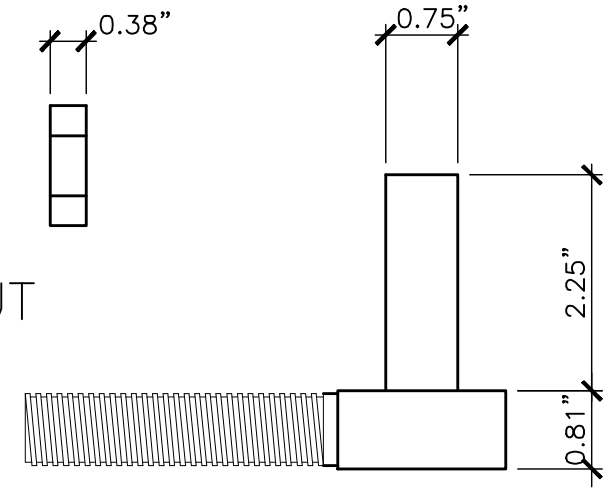
FRONT



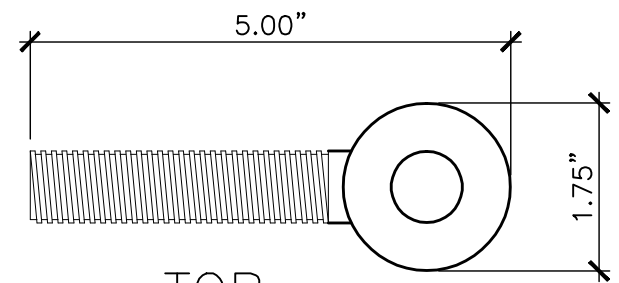
SIDE



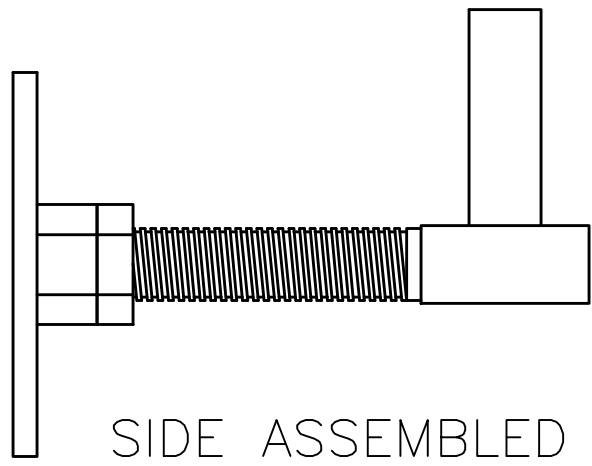
NUT



SIDE



TOP



SIDE ASSEMBLED

<p>PROPERTY OF: SNUG COTTAGE HARDWARE LLC MARYSVILLE MI. 48040</p>	<p>PRODUCT DESCRIPTION: 3/4" ADJUSTABLE GATE HANGER ON 4" SQUARE PLATE ALL DIMENSIONS ±0.125"</p>	<p>PART NUMBER: 8255-342/34P</p>
--	---	---