

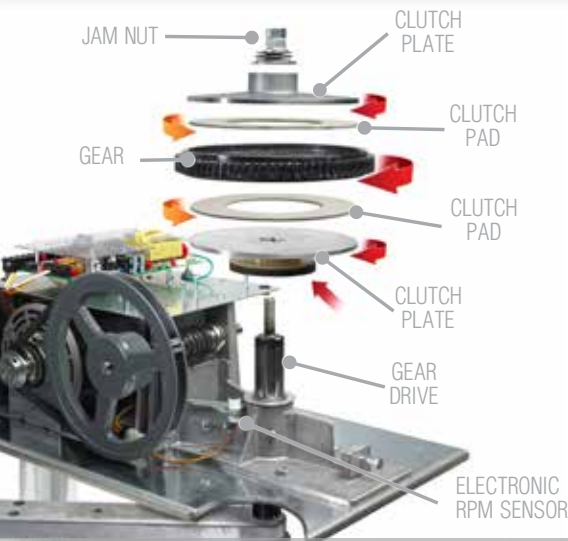
# VEHICULAR AC & DC SWING GATE OPERATORS



Residential • Apartment/College Residence Halls • Gated Communities  
Mixed Use Buildings • Commercial/Industrial • Parking • Self Storage

# AC & DC POWERED GATE OPERATORS

## SAFETY AND RELIABILITY SYSTEMS



### DKS Fail-safe:

1. Gate is obstructed.
2. Pressure builds on drive train.
3. Clutch pads allow gear to slip, releasing pressure on the gear drive and gate.
4. Electronic RPM sensor activates and reverses gate.



### DKS takes safety a few steps further:

All DoorKing swing gate operators are compliant with the U.L. 325 standard for safety. DKS gate operators will provide a safe operating environment when installed correctly with the required entrapment protection devices.

### Low Visibility Gate Operators



*Low visibility gate operators for a cleaner looking install*

The unique design of the 6000 series operators allows the gate arm to be attached to the bottom rail of the gate. This eliminates the need for any brackets to be welded to the face of the gate and creates an aesthetically pleasing installation.

This is excellent for home gates as it allows for a more aesthetically pleasing attachment to the gate while still delivering reliable, safe operation.

And they can be either pad or post mounted without costly and time consuming field modifications.

### Whole System Emergency Power Backup

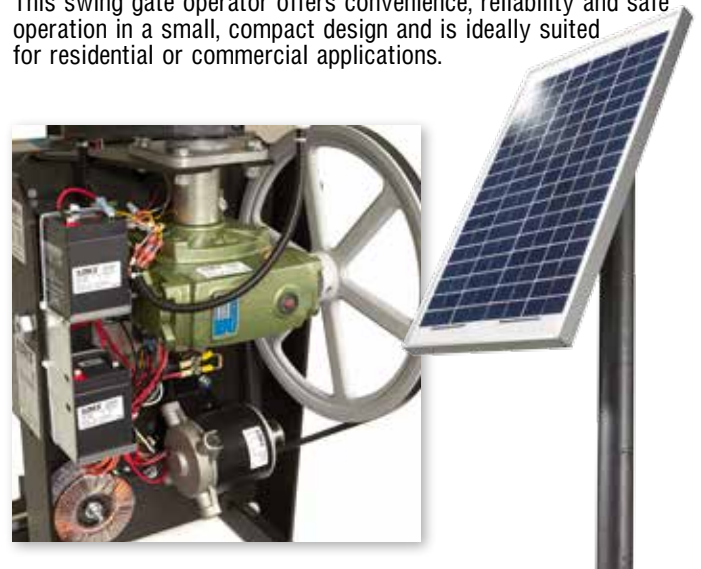
The Model 1000 power inverter provides backup power for a complete gated access control system (phone system, controller, accessories, keypads, etc.) when primary AC power fails by converting 12 volt DC power to 120 volt AC power. This capability maintains a completely operable access control system during power outages and brown outs and is ideal for residential and commercial applications with a single gate system.



### DC Swing Gate Operator Battery Back-up and Solar Power

The newest DKS DC Swing Gate Operator is perfect where backup power is critical, as they keep running when AC power has been lost. The solar power version is ideal in applications where AC power is unavailable and allows you to add your own solar system for power, or you can choose the DKS solar kit.

This swing gate operator offers convenience, reliability and safe operation in a small, compact design and is ideally suited for residential or commercial applications.



### Reliability You Can Trust

The 6500 series has a solid steel frame and belt driven gear box making this operator one of the quietest on the market today. The electronic magnetic limits will never wear out or break and they are easily adjusted. Unique breakaway hub design prevents gear box damage if the gate is struck. Two-piece Polyurethane housing makes installation and adjustments easy.





# 6000 Series

For gates up to 22 ft (6.7m) /  
800 lbs (362kg)

# 6500 Series

SMOOTH OPERATION  
**SAFETY**  
LONG LASTING

STRENGTH  
**RELIABILITY**  
QUIET OPERATION

## 6050 / 6100 / 6300 MODELS:

- Three models to choose from: 6050 and 6100 at 1/2 horsepower, and 6300 at 1/2 and 1 horsepower
- Automatic self-setting limits mean no limit switch adjustments – ever
- Safety – built-in mechanical and electronic reverse system
- Pad or Post Mount
- Battery powered Convenience Open option available on model 6300 only. Provides a method to open the gate if AC power is lost



Model 6300  
Pad Mount

## 6500 / 6550 MODELS:

- Two 6500 models to choose from: 1/2 and 1 horsepower. 6550 available as 1 horsepower only
- Split polyurethane housing allows easy access without having to remove the gate arm!
- Easy to adjust electronic magnetic limits eliminate old style mechanical switches that can wear out, break or fail
- Unique breakaway hub design prevents gear box damage if the gate is struck
- Steel frame for strength and durability
- Easy to use manual release system

## 1. Safety

- Two-stage, self monitoring inherent protection system
- 6000 series operators automatically release pressure on gate
- Emergency friendly Fail-safe design



## 2. Mounting

- Can be installed directly on a concrete pad, or post mounted to meet any installation requirements (6000 series)
- 6500 model operators are mounted to a concrete mounting pad



# Key Features

## Mechanical

- Quiet operation and weather proof design
- Primary Reduction is provided by a pulley / belt driving a worm gear reduction system
- Rotates the gate 90° in approximately:  
6050 / 6100: 12-14 seconds  
6300: 16-18 seconds  
6500: 14-16 seconds  
6524: 12-14 seconds  
6550: 12-18 seconds (variable)
- Two-piece articulating arm for smooth gate operation.
- Keyed access is provided to release arm for manual gate operation in the event of a power outage
- Overlap feature for bi-parting dual gates

## Electrical

- Auto-close timer (1-23 seconds)
- Microprocessor control board
- Simple connection for secondary operator in bi-parting gate systems
- Built-in power and alarm reset switches
- Selectable shadow / reverse loop function
- Magnetic lock power
- Ports for plug-in open and reverse loop detectors. DKS plug-in detectors only
- 115 VAC convenience outlets for accessory transformers (on the AC powered version of 6524 only)
- Gate Tracker reporting output provides operator data to access control system (DKS 1833, 1835, 1837 or 1838 only)

\* 6524 battery back up cycles assumes gate swings in a level arc, and is in good condition with properly adjusted hardware. Calculation based on a 16 foot gate weighing 800 Lbs. Other external factors (temperature, charge state of batteries, gate weight, gate length, etc.) will affect the performance of the gate operator and may reduce the number of cycles

For gates up to 25 ft (7.6m) /  
2000 lbs (907kg)

# 6524 DC

## BATTERY BACK-UP AC / DC AND SOLAR POWER



Model 6500

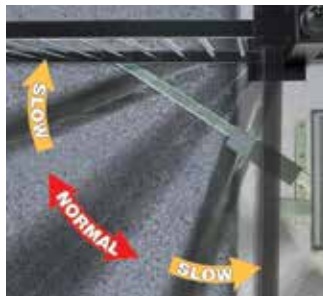
Model 6550

### 6524 MODELS:

- Operator is 24 Volt DC and includes built-in battery backup
- 115/230 VAC (switch selectable) or 24 VDC Solar Power
- 1/2 HP Quadra Drive Heavy-duty DC motor
- Solar power ready with 0.0 Amp SBPD Circuit (solar power only)
- Includes set of 7.2 Ah batteries. Solar kit includes set of 18Ah batteries and 10 Watt, 24 VDC solar panel
- With back-up power, up to 150 gate cycles with optional 18Ah batteries\*

### 3. Smooth Operation

- Slow start / slow stop
- No slamming when gate closes



### 4. Gate Tracker™

- Provides operator data to companion access controller (DKS 1833 / 1835 / 1837 / 1838)



### 5. Split Case

- Two-piece split case provides easy installation and maintenance
- Never pull arm off to access interior

## Accessories

### ENTRAPMENT PREVENTION DEVICES

#### Photo-eyes

- Photo-reflective beams have a scan distance up to 45 ft. (14m)
- Includes reflector and mounting bracket
- Thru-beam photocells have a scan distance up to 100 ft. (30.48m)
- Separate sender and receiver
- Hooded metal enclosure
- Infrared beam



#### Reversing edges

- A variety of edge styles for different gates
- Mounting channels included
- 2-wire edges can be hard wired
- Wireless connection also available



For gates up to 16 ft (4.8m) /  
800 lbs (362kg)



Model 6524



|                              | 6000 Series    | 6500/6550       | 6524 DC        |
|------------------------------|----------------|-----------------|----------------|
| Gate Length Maximum          | 22 ft (6.7m)   | 25 ft (7.6m)    | 16 ft (4.8m)   |
| Gate Weight Maximum          | 800 LB (362kg) | 2000 LB (907kg) | 800 LB (362kg) |
| Soft Start/Stop (Mechanical) | ✓              | ✓               | ✓              |
| Loop Detector Ports          | ✓              | ✓               | ✓              |
| Gate Tracker                 | ✓              | ✓               | ✓              |

| Model | Usage |     |     | Gate Maximums |                  | Electrical |                  |
|-------|-------|-----|-----|---------------|------------------|------------|------------------|
|       | Res   | Com | Ind | Length        | Weight           | HP         | Fail-safe Clutch |
| 6050  | ✓     |     |     | 10 Ft. (3.0m) | 400 Lb. (181kg)  | 1/2        | ✓                |
| 6100  | ✓     | ✓   |     | 14 Ft. (4.2m) | 500 Lb. (226kg)  | 1/2        | ✓                |
| 6100  | ✓     | ✓   |     | 14 Ft. (4.2m) | 400 Lb. (181kg)  | 1/2        | ✓                |
| 6300  | ✓     | ✓   | ✓   | 18 Ft. (5.4m) | 700 Lb. (317kg)  | 1/2        | ✓                |
| 6300  | ✓     | ✓   | ✓   | 18 Ft. (5.4m) | 600 Lb. (272kg)  | 1/2        | ✓                |
| 6300  | ✓     | ✓   | ✓   | 22 Ft. (6.7m) | 800 Lb. (362kg)  | 1          | ✓                |
| 6300  | ✓     | ✓   | ✓   | 22 Ft. (6.7m) | 700 Lb. (317kg)  | 1          | ✓                |
| 6500  | ✓     | ✓   | ✓   | 18 Ft. (5.4m) | 700 Lb. (317kg)  | 1/2        | -                |
| 6500  | ✓     | ✓   | ✓   | 18 Ft. (5.4m) | 600 Lb. (272kg)  | 1/2        | -                |
| 6500  | ✓     | ✓   | ✓   | 22 Ft. (6.7m) | 800 Lb. (362kg)  | 1          | -                |
| 6500  | ✓     | ✓   | ✓   | 22 Ft. (6.7m) | 700 Lb. (317kg)  | 1          | -                |
| 6550  | ✓     | ✓   | ✓   | 25 Ft. (7.6m) | 2000 Lb. (907kg) | 1          | -                |
| 6524  | ✓     | ✓   |     | 16 Ft. (4.8m) | 800 Lb. (362kg)  | 1/2        | -                |

## Uphill Counter-balance & Ball Joint Pivot Assemblies

Torsion rod assembly counter-balances uphill gates. Kit includes top bracket, bottom bracket and torsion rod - with the ability to add up to 5 additional torsion rods for heavier gates. Helps to prevent gate runaway. Pivot assembly used to connect operator arm when the operator has been installed horizontally level and the gate opens on an uphill or downhill slope.

## Loop Detectors

Plug-in detectors (DKS only) and hard wired detectors. Single and dual channel. Pre-fabricated loops available or form your own loops.



## Lock Boxes

Provide Fire Department and Postal Carrier access through automated gates or doors for emergency or postal personnel.

## Swing Gate Accessories

Flange bearing hinge, sealed bearing hinge, base plates, bi-parting connection cable, heater kits, gate test scales, grease, accessory transformers, and other accessories for gate operation and installation.

