

1 Description

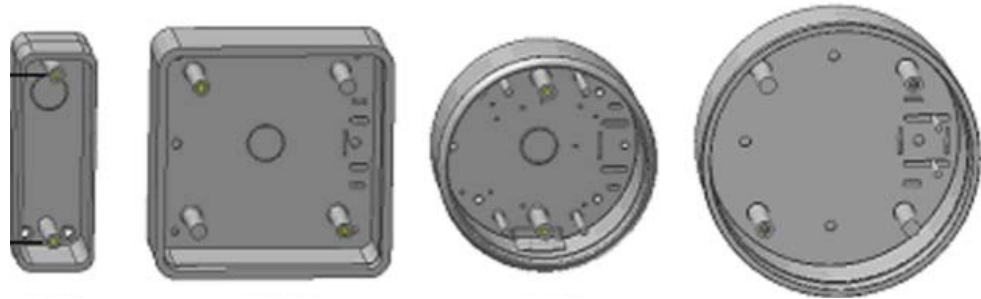
LCN's line of pushplate hardware is expanded by its line of surface and flush mount pushplate boxes. These boxes are made of durable ABS plastic and are made to securely mount a pushplate and a variety of optional transmitters to activate an automatic door. Many of the boxes have an optional weather ring to give even more weather protection to the switch. They are also designed to attractively recess the pushplate in the housing to and to minimize vandalism from prying up the pushplate.



**PUSHPLATE MOUNTING BOX
(4.5" Round Surface Mount Shown)**



**9V BATTERY CLIP
(1 per box, not used
on jamb sized boxes)**



PART NUMBERS	4 3/4" JAMB	4 3/4" SQUARE	4 1/2" ROUND	6" ROUND
SURFACE	8310-819S	8310-867S	8310-868S	8310-869S
FLUSH	8310-819F	8310-867F	8310-868F	8310-869F
WEATHER RING <u>1</u>		8310-801	8310-800	8310-802

1 - Optional

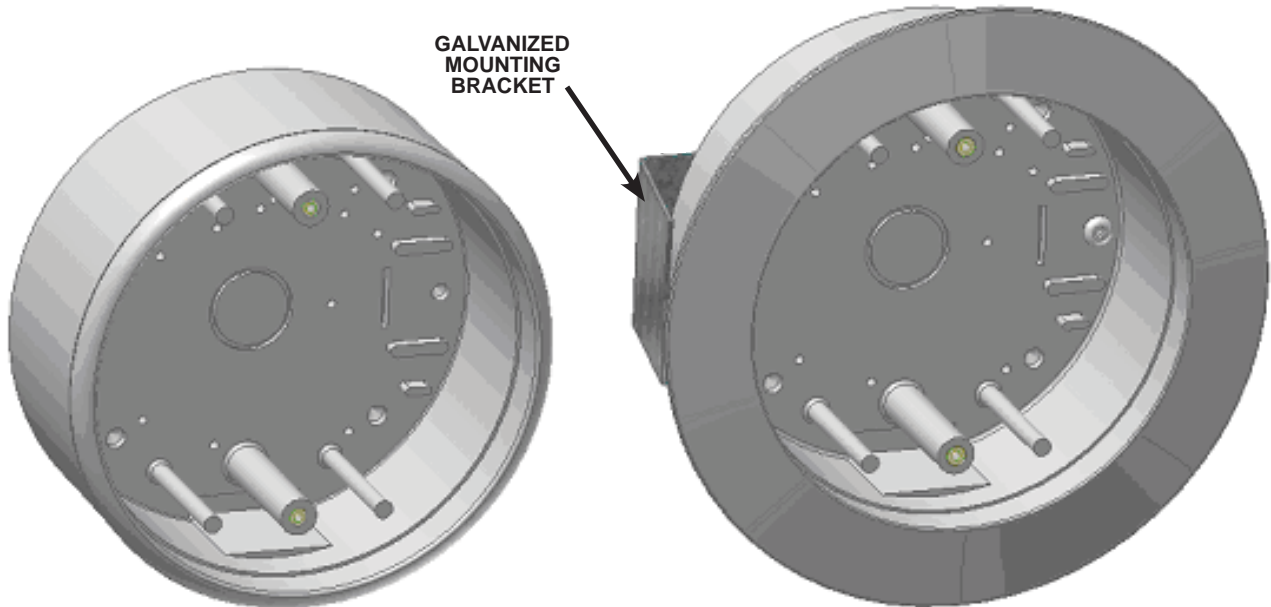
2 Precautions



- Shut off all power before attempting any wiring procedures.
- Maintain a clean & safe environment when working in public areas.
- Constantly be aware of pedestrian traffic around the area.
- Always stop pedestrian traffic through the doorway when performing tests that may result in unexpected reactions by the door.
- ESD electrostatic discharge: Circuit boards are vulnerable to damage by electrostatic discharge. Before handling any board ensure you dissipate your body's charge.
- Always check placement of all wiring before powering up to insure that moving parts will not catch any wires and cause damage to equipment.
- Ensure compliance with all applicable safety standards (i.e. ANSI A156.10 / 19) upon completion of installation.
- DO NOT attempt any internal repair of the sensor. All repairs and/or component replacements must be performed by LCN, Inc. Unauthorized disassembly or repair:
 1. May jeopardize personal safety and may expose one to the risk of electrical shock.
 2. May adversely affect the safe and reliable performance of the product will result in a voided product warranty.

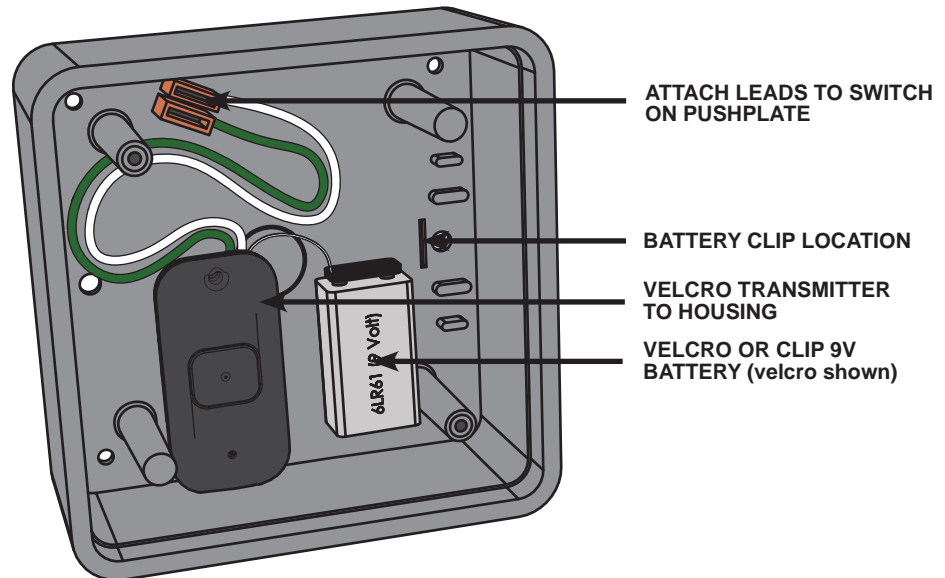
3 Installation

1. Prepare the box for installation. If the pushplate is to be hard-wired to the operator, remove either the knockout on the back or bottom of the box. Then route the appropriate wire to the box.
2. Attach the box to the mounting surface. For surface mounted boxes, securely attach the box to the surface using the corner holes. For flush mounted boxes, cut a hole in the mounting surface large enough that the galvanized steel bracket will pass through the hole. Then use a Phillips head screwdriver to tighten the two screws that tighten the bracket to the inside of the wall surface.



3. If Applicable, mount a radio frequency transmitter to the inside of the housing using either the Velcro enclosed with the transmitter kit or battery clip.

NOTE: For jamb sized boxes, use the 3V Transmitter (8310-844J).



4 Company Contact



Do not leave problems unresolved. If a satisfactory solution cannot be achieved after troubleshooting a problem, please contact LCN at 1-800-526-2400. If you must wait for the following workday to call LCN, leave the door inoperable until satisfactory repairs can be made. Never sacrifice the safe operation of the automatic door or gate for an incomplete solution.

For more information, visit www.lcn.ingersollrand.com.