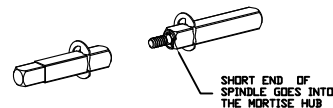


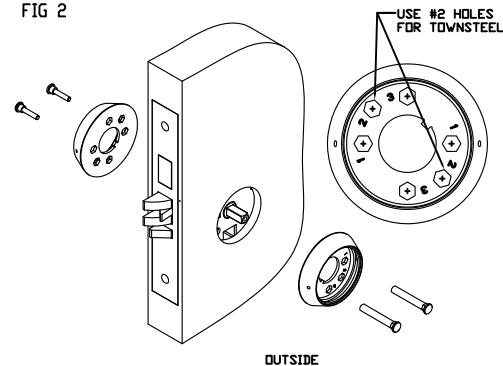
SPINDLE INSTALLATION



SHORT END OF SPINDLE GOES INTO THE MORTISE HUB

SPINDLES ARE INSERTED INTO THE MORTISE LOCK HUBS, THERE IS A SCREW CLIPPED INTO 1 SPINDLE FOR SCREWING INTO THE OTHER SPINDLE AND HOLDING THEM IN PLACE.

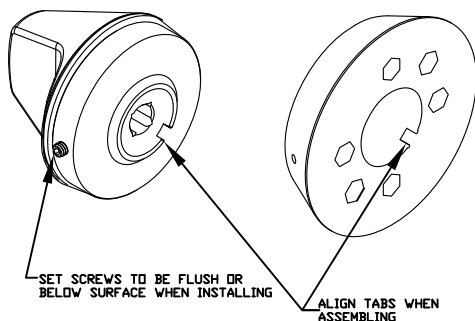
FIG 2



USE #2 HOLES FOR TOWNSTEEL

OUTSIDE

FIG 3



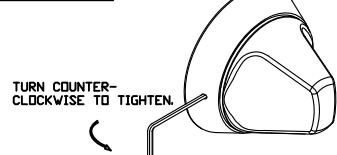
SET SCREWS TO BE FLUSH OR BELOW SURFACE WHEN INSTALLING

ALIGN TABS WHEN ASSEMBLING

FIG 4

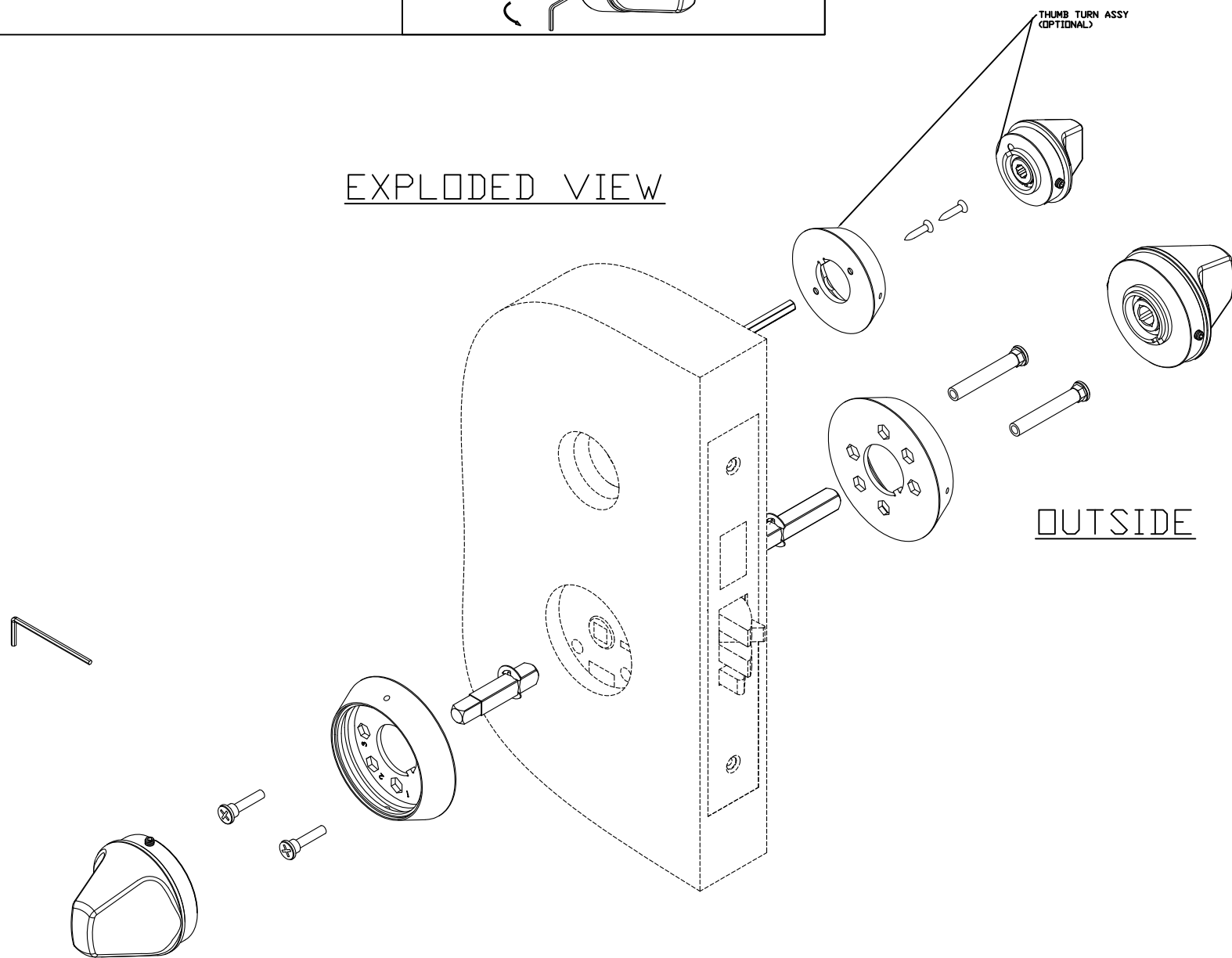
AFTER SECURING ROSES ON THE DOOR, PLACE KNOB ASSEMBLY IN ROSE. THERE ARE 2 HOLES IN THE ROSE. INSERT A 5/64TH ALLEN WRENCH IN THE SET SCREW THROUGH THE HOLE IN ROSE AND SECURE KNOB ASSEMBLY BY TURNING COUNTER-CLOCKWISE (TO REMOVE ROTATE CLOCKWISE).

NOTE: WHEN TIGHTENING BALANCE BOTH SET SCREWS (TIGHTEN EVENLY) OR BINDING MAY OCCUR.



TURN COUNTER-CLOCKWISE TO TIGHTEN.

EXPLODED VIEW



OUTSIDE

THUMB TURN ASSY (OPTIONAL)

RX KNOB INSTALLATION GUIDE FOR TOWNSTEEL MORTISES

1. INSTALL SPINDLES IN MORTISE PER FIG 1.
 2. PLACE THE 2 INSIDE MOUNTING POSTS THROUGH HOLE NUMBER 2 AS DESIGNATED ON THE ROSE- SEE FIG 2.
 3. HOLDING THE 2 POSTS IN POSITION SLIDE ONTO THE MORTISE WITH POSTS GOING THROUGH THE MORTISE THROUGH HOLES. SEE FIG 2. NOTE- CAN INSTALL THE KNOB ASSEMBLY ON THE OUTSIDE PER STEP 7 AND THIS WILL HOLD THE POSTS IN POSITION.
 4. ON THE OPPOSITE SIDE- PUT THE 2 MOUNTING SCREWS THROUGH HOLES NUMBER 2 AS DESIGNATED ON THE ROSE- SEE FIG 2. ALIGN THE SCREWS WITH THE POSTS AND TIGHTEN.
 5. INSTALL THE KNOB ASSEMBLY INTO THE ROSE- ALIGN TABS. SET SCREWS HAVE TO BE FLUSH OR BELOW THE SURFACE TO ALLOW CLEARANCE. SEE FIG 3.
- NOTE: ONCE THE KNOB ASSEMBLY IS SET ON BOTH SIDES- ROTATE THE KNOB ON BOTH SIDES TO ENSURE THE MORTISE LATCH RETRACTS AND THERE IS NO BINDING. IF THE LATCH OR KNOB BINDS REMOVE THE KNOB ASSEMBLY FROM THE MOUNTING SCREW SIDE AND LOOSEN THE MOUNTING SCREWS AND ALIGN THE ROSE WITH THE CENTER OF THE HUBS AS MUCH AS POSSIBLE UNTIL NO BINDING OCCURS. TIGHTEN THE SCREWS AND RETRY.
6. INSERT THE ALLEN WRENCH THROUGH EACH HOLE (2 IN EACH ROSE) TO ENGAGE THE SET SCREW AND SECURE THE KNOB ASSEMBLY. ROTATE COUNTERCLOCKWISE TO TIGHTEN IN THE ASSEMBLY AND ROTATE CLOCKWISE TO LOOSEN. SEE FIG 4. NOTE: WHEN TIGHTENING BALANCE BOTH SET SCREWS (TIGHTEN EVENLY) OR BINDING MAY OCCUR.
 7. CHECK LOCK FOR CORRECT OPERATION BEFORE CLOSING THE DOOR.

HOSPITAL LOCK PARTS LIST

SCREW PACK BAG	
<p>KNOB ASSEMBLY (2 ea)</p>	<p>SPINDLE CLIP (2 ea) (Installed on spindles) 1</p> <p>INSIDE MOUNTING SCREW (2 ea)</p> <p>OUTSIDE MOUNTING POST (2 ea)</p> <p>5/64 ALLEN WRENCH (1 ea)</p>
SCREW PACK BAG	
<p>KNOB ROSE (2 ea)</p>	<p>SPINDLE (1 ea) 4</p> <p>SPINDLE (1 ea)</p>

<p>TownSteel</p> <p>707 N. BARRANCA AVE #6 COVINA, CALIF 91723</p>	<p>DRAFT UNLESS OTHERWISE SPECIFIED: 1° MAX</p>	<p>TOLERANCES UNLESS OTHERWISE SPECIFIED: X.X (METRIC) = ±0.4 X.XX (METRIC) = ±0.15 FRACTIONS = ±.8 ANGLES = ±1/2° © .12 MACHINED SURFACES 125/</p>	<p>MATERIAL: NOTED</p> <p>HEAT TREAT: NA</p> <p>FINISH: 32D</p> <p>TITLE: HOSPITAL KNOB ASSY INSTRUCTIONS</p> <p>PART#: MRX-S-K</p>
	<p>DATE: 2/18/10</p>	<p>THIRD ANGLE</p>	
	<p>DRAWN BY: CM</p>		

THIS DRAWING AND THE INFORMATION CONTAINED THEREON OR DERIVED THEREFROM ARE THE CONFIDENTIAL PROPERTY OF TOWNSTEEL, INC. IT IS NOT TO BE REPRODUCED, OR DISCLOSED TO OTHERS, AND MAY BE USED ONLY FOR THE PURPOSE OF ENABLING THE PARTY TO WHOM IT HAS BEEN LOANED TO QUOTE ON OR FILL AN ORDER FOR TOWNSTEEL, INC., OR AS MAY BE OTHERWISE AUTHORIZED BY TOWNSTEEL, INC. IN WRITING.