

Installation Instructions

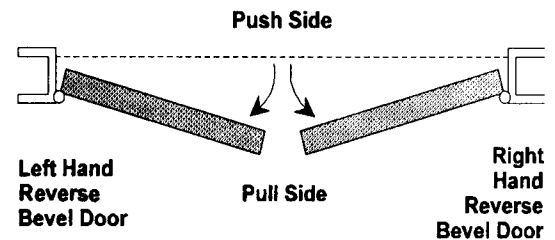


Pushbar Exit Device Trim Z-Pull (P1 Series) and Offset Pull (P2 Series) (For Wood and Metal Doors)

* IMPORTANT:

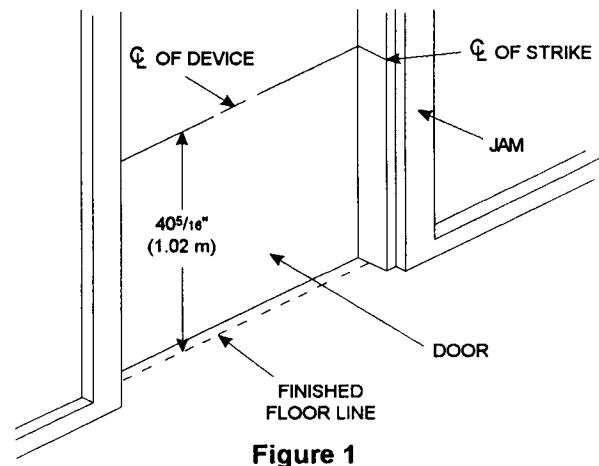
- Failure to follow these instructions could affect operation of this product and void warranty.
- Exit devices must be securely fastened to properly reinforced doors with fasteners which will not loosen or pull out. Add reinforcement when necessary.
- **Before Installing:** Check to be sure exit device is proper hand for door.

How to Determine Hand of Door



1. Mark Centerline

Establish centerline of device by drawing line across door and stop, $40\frac{5}{16}$ " (1.02 m) above finished floor unless doors have been pre-prepped (See Figure 1).



2. Spot and Drill Template Holes

CAUTION: When installed with removable mullion, see instruction sheet packed with mullion.

If door is not prepped with a $2\frac{3}{4}$ " (70 mm) backset cylindrical lock cut-out use template furnished. Spot and drill mounting holes for device, latch assembly and trim (if furnished).

If door has ANSI A115.2 cylindrical lock cut-out:

- A. Extend horizontal and vertical lines of cut-out (See Figure 2).
- B. If frame has $\frac{5}{8}$ " (16 mm) stop, align centerlines on template with centerlines on door. Spot, drill and tap mounting holes for device, latch assembly, trim (if furnished), and strike (if applicable).
- C. If frame has $\frac{1}{2}$ " (13 mm) stop, align centerlines on template with centerlines on door and spot mounting holes for device and trim (if furnished). Then move template up against stop to mark strike holes (if applicable). Note special shim which must be mounted behind strike. Drill and tap all required holes.

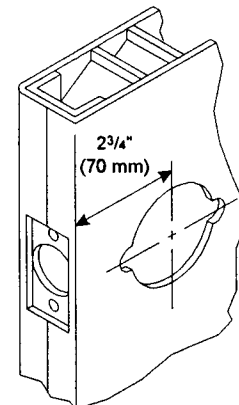
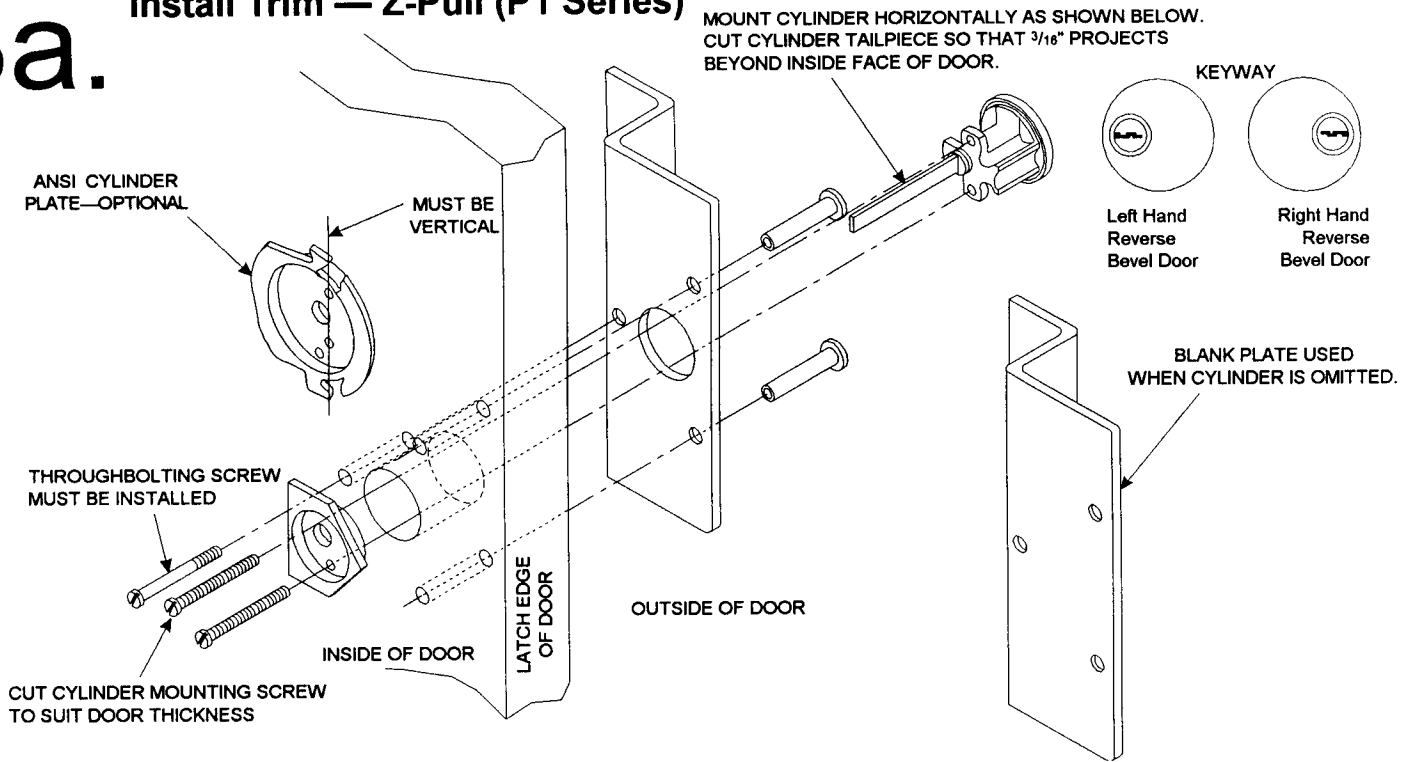


Figure 2

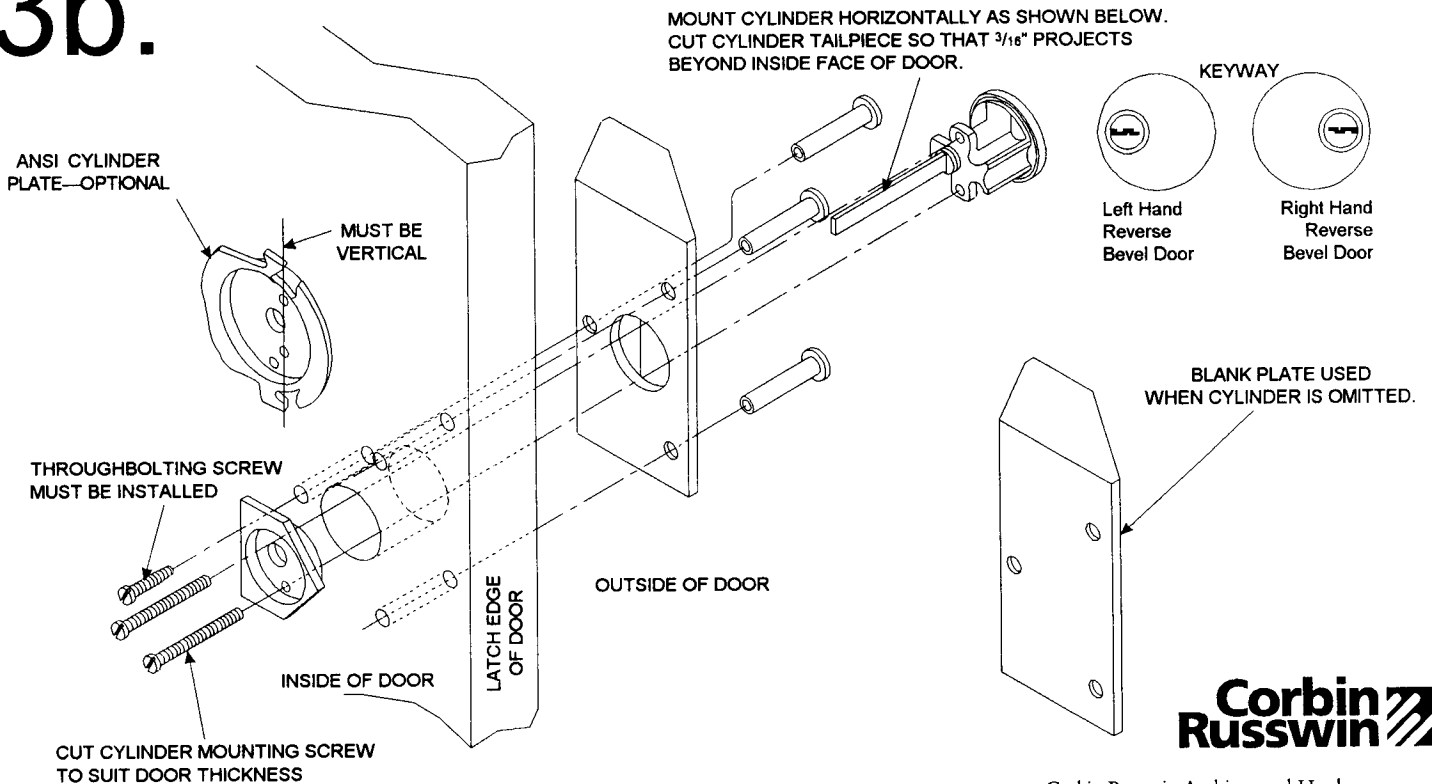
Installation Instructions

Pushbar Exit Device Trim
Z-Pull (P1 Series) and
Offset Pull (P2 Series)
(For Wood and Metal Doors)

3a. Install Trim — Z-Pull (P1 Series)



3b. Install Trim — Offset Pull (P2 Series)



**Corbin
Russwin**

Corbin Russwin Architectural Hardware
225 Episcopal Road Berlin, CT 06037 USA

Installation Instructions

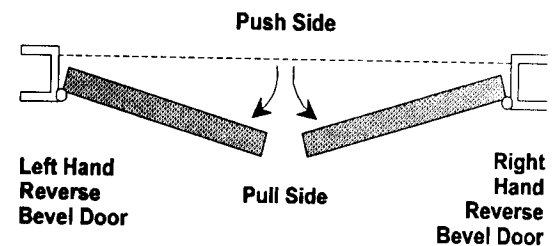


Pushbar Exit Device Trim Z-Pull (P1 Series) and Offset Pull (P2 Series) (For Wood and Metal Doors)

* IMPORTANT:

- Failure to follow these instructions could affect operation of this product and void warranty.
- Exit devices must be securely fastened to properly reinforced doors with fasteners which will not loosen or pull out. Add reinforcement when necessary.
- **Before Installing:** Check to be sure exit device is proper hand for door.

How to Determine Hand of Door



1. Mark Centerline

Establish centerline of device by drawing line across door and stop, $40\frac{5}{16}$ " (1.02 m) above finished floor unless doors have been pre-prepped (See Figure 1).

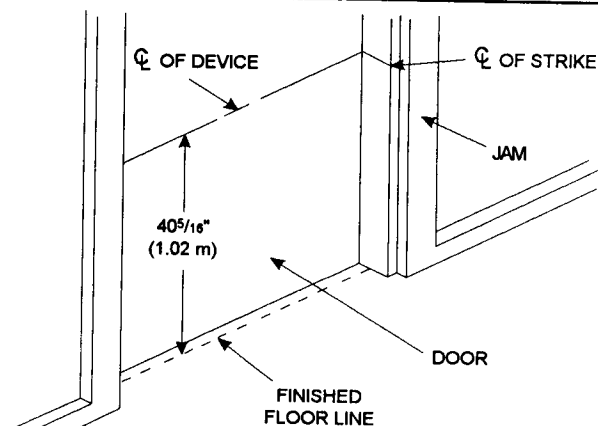


Figure 1

2. Spot and Drill Template Holes

CAUTION: When installed with removable mullion, see instruction sheet packed with mullion.

If door is not prepped with a $2\frac{3}{4}$ " (70 mm) backset cylindrical lock cut-out use template furnished. Spot and drill mounting holes for device, latch assembly and trim (if furnished).

If door has ANSI A115.2 cylindrical lock cut-out:

- Extend horizontal and vertical lines of cut-out (See Figure 2).
- If frame has $\frac{5}{8}$ " (16 mm) stop, align centerlines on template with centerlines on door. Spot, drill and tap mounting holes for device, latch assembly, trim (if furnished), and strike (if applicable).
- If frame has $\frac{1}{2}$ " (13 mm) stop, align centerlines on template with centerlines on door and spot mounting holes for device and trim (if furnished). Then move template up against stop to mark strike holes (if applicable). Note special shim which must be mounted behind strike. Drill and tap all required holes.

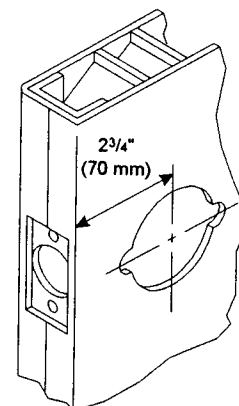


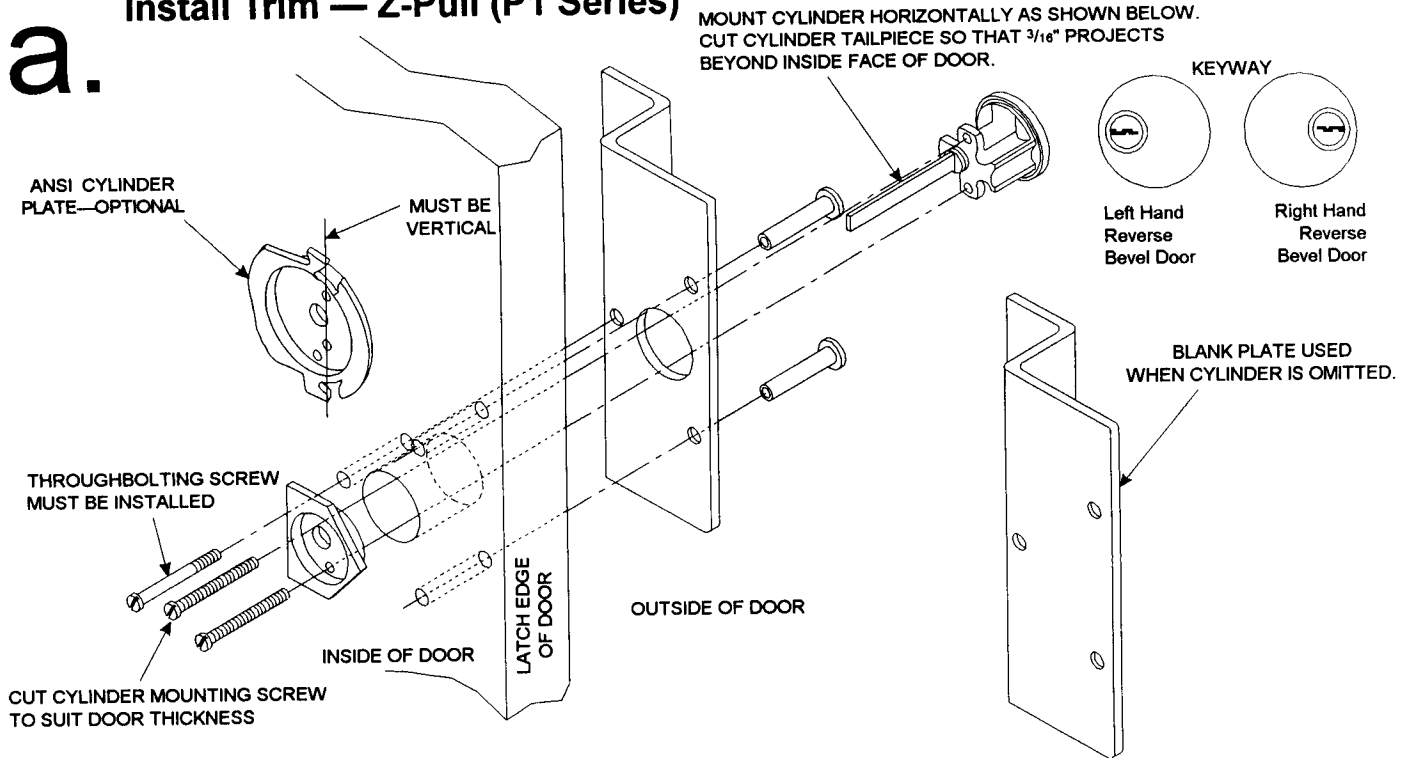
Figure 2

Installation Instructions

Pushbar Exit Device Trim
 Z-Pull (P1 Series) and
 Offset Pull (P2 Series)
 (For Wood and Metal Doors)

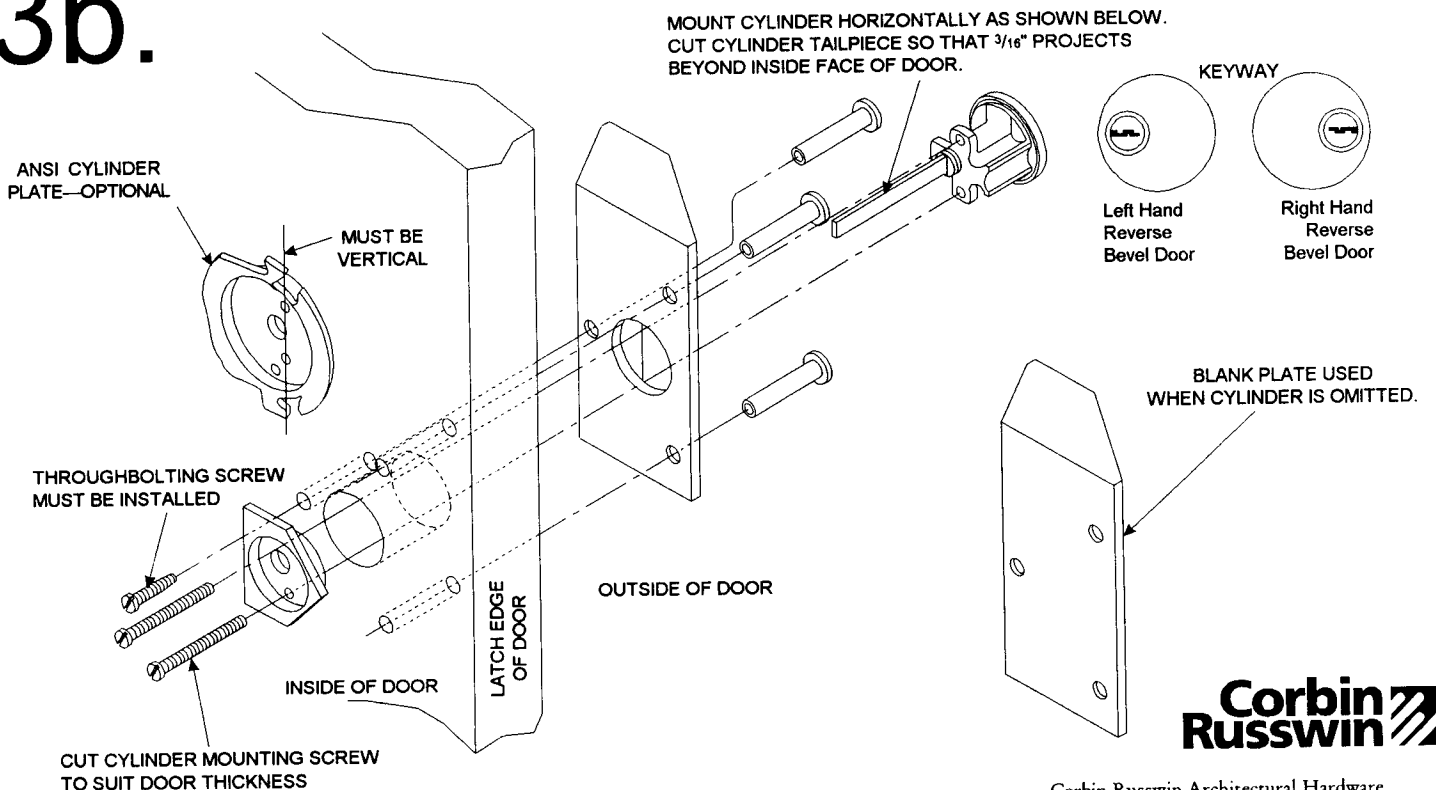
3a.

Install Trim — Z-Pull (P1 Series)



3b.

Install Trim — Offset Pull (P2 Series)



**Corbin
 Russwin**

Corbin Russwin Architectural Hardware
 225 Episcopal Road Berlin, CT 06037 USA