

# SHIM KIT INSTALLATION INSTRUCTIONS

SHIM KIT	557F928	557F938	557F948	557F958
DEVICE	29, LA29, 39, LA39, 39EL, LA39EL, 39ELD, LA39ELD 25, 25L, 25U, 25UL, 35, 35L, 35U, 35UL	29U 39U	20 30	20U 30U
	372, LA372, 572, LA572, 572EL, LA572EL, 572ELD, LA572ELD 392, 392L, U392, U392L, 592, 592L, U592, U592L	U372 U572	382 582	U382 U582

Before mounting exit device to door with glass beading, attach shim kit as instructed below:

## IMPORTANT

- Always use the same number of shims for front plate, rear bracket, top and bottom latches, and rod guides.

## STEP 1 Determine Correct Number of Shims

Measure depth of beading in door to determine the number of shims needed to mount rim, mortise or vertical rod exit device. Use one shim for each 1/8" (3.18 mm) of thickness. (See chart below).

SHIM KIT APPLICATIONS

DOOR THICKNESS	MAXIMUM NO. OF SHIMS	
	RIM & V. ROD DEVICES	MORTISE DEVICES
1 3/4" (44.45 mm)	3	2
2" (50.80 mm)	3	1
2 1/4" (57.15 mm)	2*	0

\* with trim; 3 shims without trim

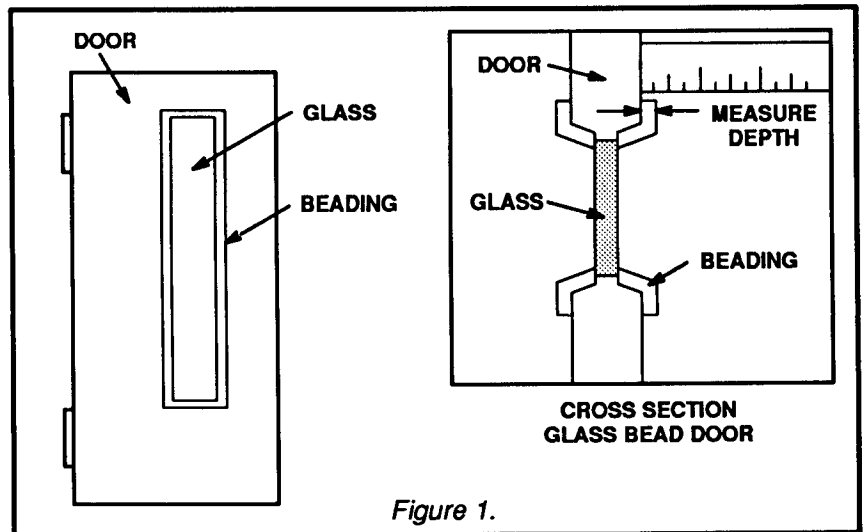


Figure 1.

## STEP 2 Mounting Front Plate Shim(s) To Pushbar Device

A. Locate back of rear bar. Align thru holes in front plate shim(s) with holes in front plate using mounting screw or Phillips screwdriver as aligning pin. Mark rear bar for two holes using shim(s) as a template. Drill two 1/8" (3.18 mm) diameter holes into rear bar where marked.

B. Position desired number of front plate shims with countersinks facing out over the holes. Insert flat head self-tapping screws provided through shims into holes in rear bar. Tighten screws securely so that the screw heads are flush.

NOTE: FOR UL EXIT DEVICE USE UL FRONT PLATE SHIM(S)

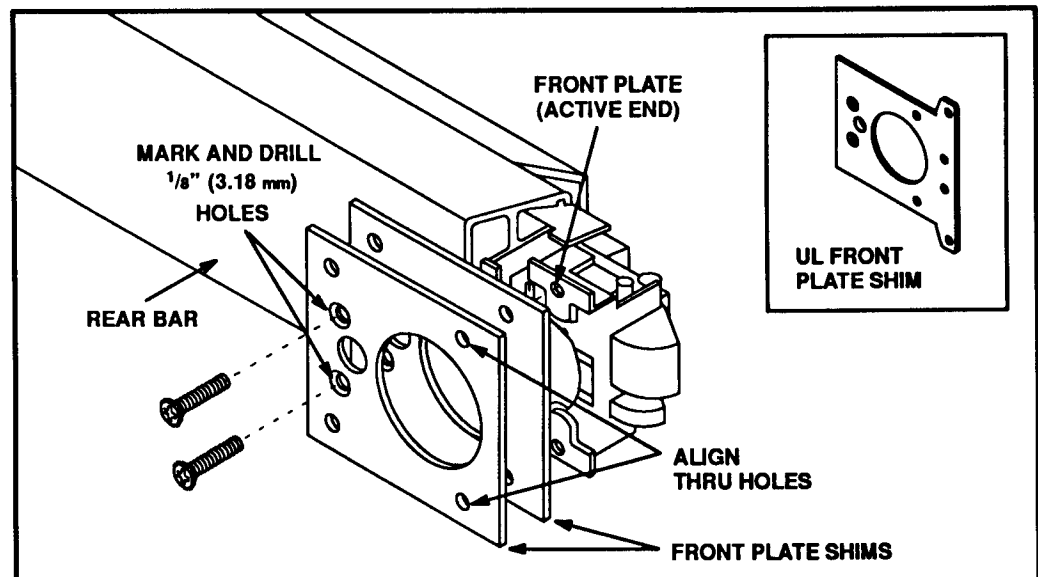


Figure 2.

### STEP 3 Mounting Pushbar Device To Door

A. Position rear bracket over rear bracket shim(s). Insert screws provided with kit through holes in rear bracket and shim(s), but do not tighten. Be sure to use the same number of rear bracket shims as front plate shims previously installed on the rear bar.

B. Position inactive end of rear bar between rear bracket and rear bracket shim(s). Fasten pushbar to door following exit device installation instructions for proper mounting. Tighten screws in rear bracket securely.

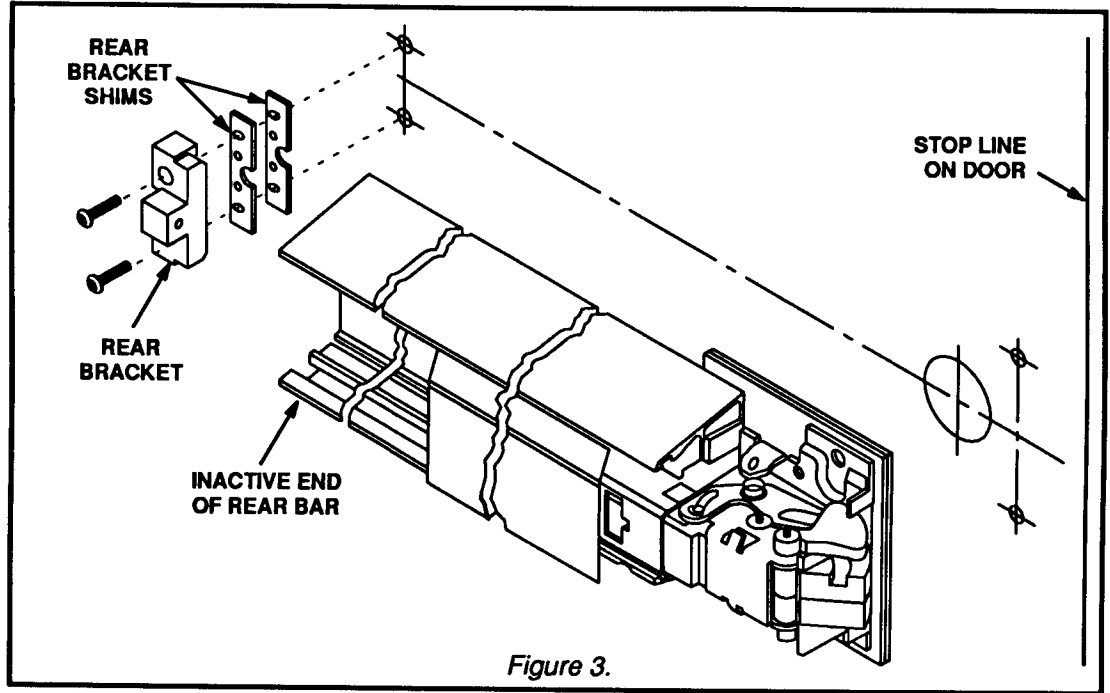


Figure 3.

### STEP 4 Mounting Top/Bottom Latches and Rod Guides (Vertical Rod Exit Devices Only)

A. Position correct number of shims under top and bottom latches and rod guides as shown. Follow exit device installation instructions for proper mounting screws and locations. Insert screws provided with kit through holes in latches and shim(s).

B. Fasten top and bottom latches, as well as rod guides through shim(s) to door. Tighten all screws securely.

NOTE: FOR UL DEVICE USE UL LATCH SHIMS

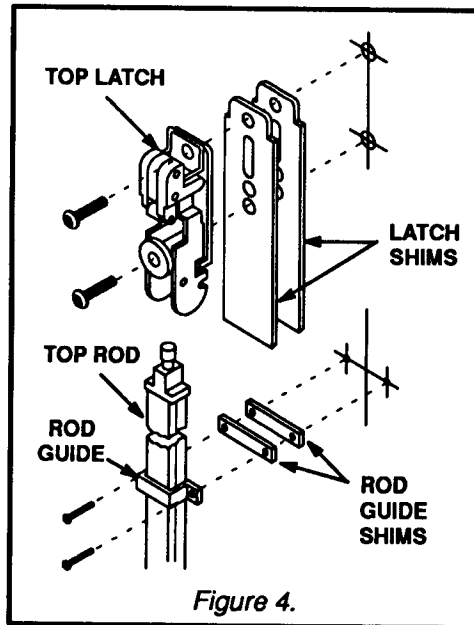
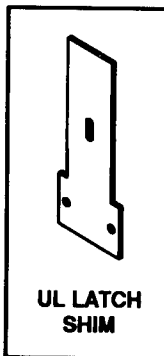


Figure 4.

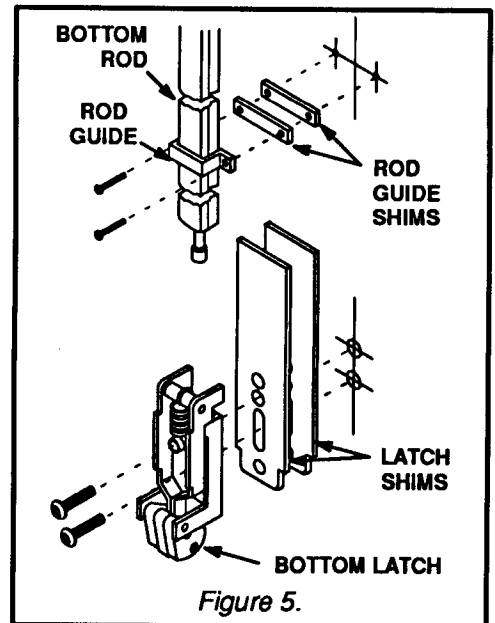


Figure 5.

### STEP 5 Complete Installation

Complete exit device mounting by following exit device installation instructions.

NOTE: Strike(s) must be mounted and adjusted for shim(s) used.