

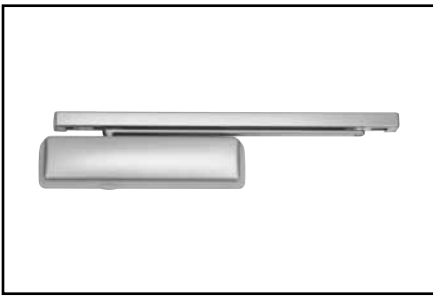
Corbin
Russwin

ASSA ABLOY

DC5000 Series

Cam Action Door Closer





Introduction

DC5000

Table of Contents

Introduction.....	2
Features.....	3
Mountings.....	4
Accessories.....	5
How to Order.....	6
Quick Codes.....	6
Helpful Terms.....	7
Specifications.....	8

Applications

The DC5000 Series is a cam action door closer for slide arm and track applications. The cam action design is ideal, as it provides much greater efficiency than a rack and pinion door closer for slide track applications. The cam action provides much lower opening resistance while delivering optimum closing force and control. The door closer's wide range of adjustable closing power permits use in the most demanding situations. The efficiency and flat power curve comply with the opening force requirements of the Americans with Disabilities Act (ADA).

The DC5000 series cam action door closers come standard with adjustable sweep speed and latch speed, closing control and adjustable backcheck cushioning in the opening cycle. Ideal for door openings in both new construction and renovations, including:

- Hospitals
- Universities
- Office Buildings

Features

- Smooth operation; efficient, powerful, heavy-duty
- Easier to open than rack-and-pinion door closers with track arms
- Slide track application with regular arm operating efficiency
- Slide track standard
- Adjustable spring size 1 through 6
- Adjustable closing force
- Adjustable closing and latching speed
- Backcheck standard
- Non-handed
- Push or pull side installation
- Cast aluminum body

Optional Feature

- Hold open

Advantages

- Compliance with building and barrier-free codes
- Opening range: 140° for Push Side and 110° for Pull Side
- Ten-year limited warranty
- UL10C, UBC

Features

Spring Power

Multi-sized; fully adjustable 1 through 6.

Handing

Non-handed.

Body

Cast aluminum body.

Arm

Standard: stamped steel.

Spindle

Machined spline.

Piston

1-1/2" diameter; Precision machined, heat treated steel.

Valves

Latching speed, closing speed and backcheck intensity valves standard.

Seals

"O" rings.

Fluid

Standard: high lubricity extreme temperature hydraulic fluid.

Degree of Opening

140° opening range for Push Side and Pull Side installations. Recommended maximum interior door width is 54" (137cm) and the recommended maximum door weight is 250 lbs.

Note: Door openings greater than 110° can be achieved when an auxiliary door stop (by others) is used. Consult factory for details and templates.

Cover

Standard: non-metallic full cover.

Mountings

Standard: slide track.

Fasteners

Closer Bodies:

Standard: self-drilling screws, 1/4-20 machine screws.

Optional: sex nuts and bolts (SNBs); Specify M54.

Tracks:

Standard: #12 self-drilling screws, #12-24 machine screws.

Warranty

Ten-year limited warranty. Refer to Corbin Russwin price book for details.

Certification/Compliance



Barrier-Free Code Compliance

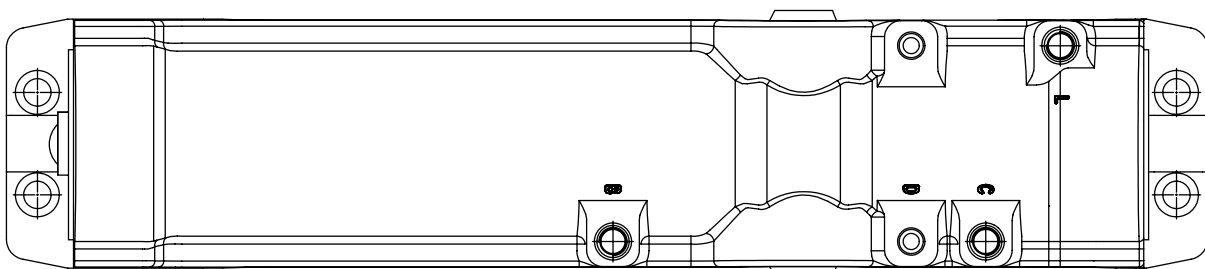
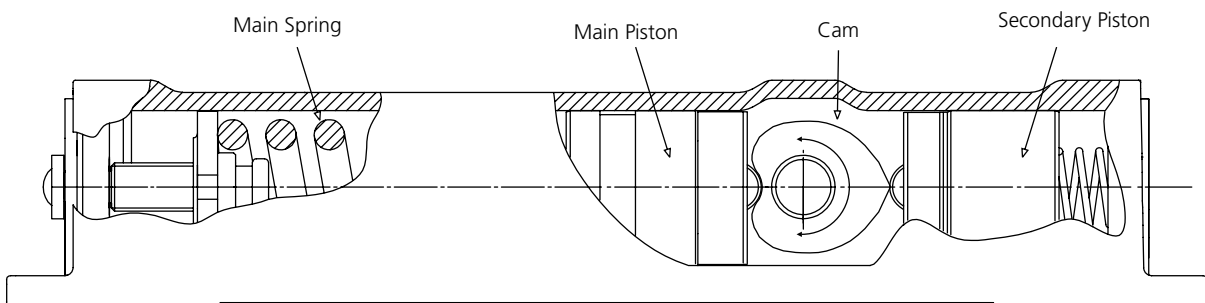
The DC5000 Series Door Closers listed below conform to the 5 lbf. maximum door opening force requirement for non-fire-rated interior hinged doors, according to:

Americans with Disabilities Act (ADA)

Complies with the Accessibility Guidelines for Buildings and Facilities, Section 4.13.11

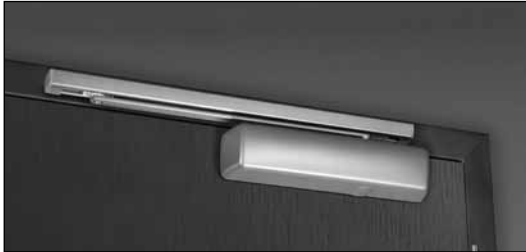
UL/ULC/UL10c

Listed for fire and cycle requirements.



Mountings

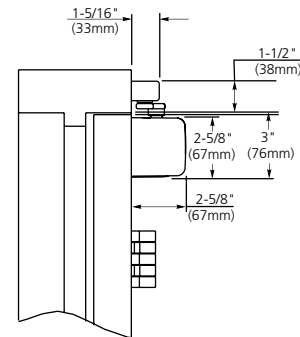
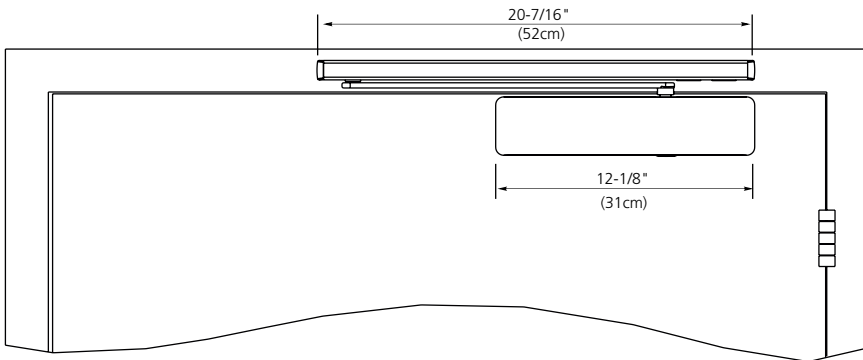
DC5000



DC5230 HINGE (PULL) SIDE OF DOOR

- Maximum interior door width 54" (137cm).
- An auxiliary stop (by others) is suggested where severe conditions exist.
- 140° swing (trim permitting)

Note: Door openings to 160° can be achieved if an auxiliary door stop (by others) is installed to dead stop the door. Consult factory for details.



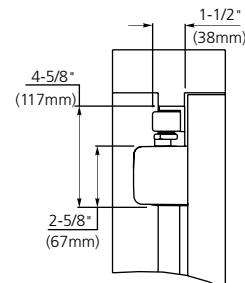
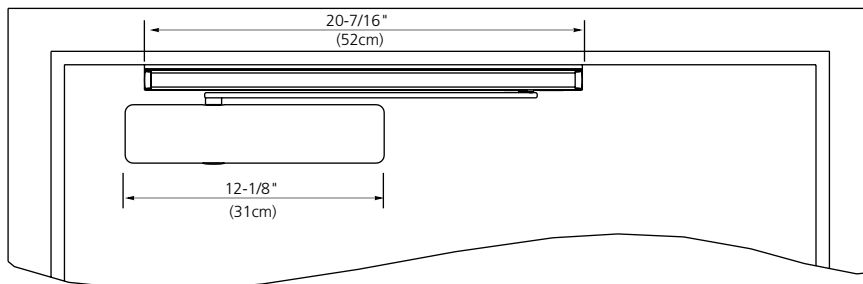
NOTE: Contact factory for use on doors exceeding 250 lbs.



DC5240 STOP (PUSH) SIDE OF DOOR

- Minimum frame reveal is 1-1/2" (13mm).
- An auxiliary door stop is suggested when severe conditions exist.
- 110° swing (trim permitting)

Note: Door openings up to 130° can be achieved if an auxiliary door stop (by others) is installed to dead stop the door. Consult factory for details.



NOTE: Contact factory for use on doors exceeding 250 lbs.



Drop Plate

For use where the narrow top rail of the door prevents the closer from being mounted directly to the door surface. This drop plate must be used for closer mounted on a top rail between 1-7/8" and 3-3/8" (48mm and 86mm) in height. To order separately, specify 754F80 x Finish.

How to Order/Quick Codes

DC5000

Ordering Examples

Stock Order			
Quantity	Series	Arm	Finish
48	DC5230	A1	689

Contract Order				
Quantity	Series	Arm	Finish	Misc. Options
100	DC5240	A1	689	M54

Series/Mounting/Size		
Description	Mounting	Specify
DC5000 Closers Multi-sized; full adjustability from size 1-6	Pull Side Track	DC5230
	Push Side Track	DC5240

Finish		
Description		Specify
USP	Primed for Painting	600
SBL	Silver Aluminum Painted	689
LBL	Dark Bronze Painted	690
DBL	Light Bronze Painted	691
FBL	Black Painted	693
GBL	Satin Brass Painted	696

Arm	
Description	Specify
Regular non-hold open	(standard)
Hold open	A1*

Drop Plate - order by number	
Closer Series	Drop Plate
DC5230 (Pull Side Track)	754F80
DC5240 (Push Side Track)	

* Hold Open arms cannot be used on fire doors.

Handing	
Hand	Specify
Right Hand/Left Hand Reverse	RH
Left Hand/Right Hand Reverse	LH

Retrofit Plate - order by number	
Closer Series	Retrofit Plate
DC5230 (Pull Side Track)	754F81
DC5240 (Push Side Track)	

Door Thickness	
Door Thickness	Specify
1-3/4" (44mm)	(standard)

Paint (cans)	
Description	Specify
Silver Aluminum	597F94
Dark Bronze	597F95
Light Bronze	597F96
Satin Brass	597F97

Miscellaneous Options	
Description	Specify
Sex nuts and bolts (SNBs) (1-3/4" minimum thickness)	M54

Helpful Terms

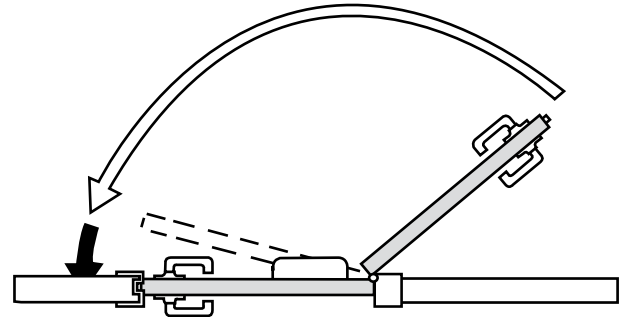
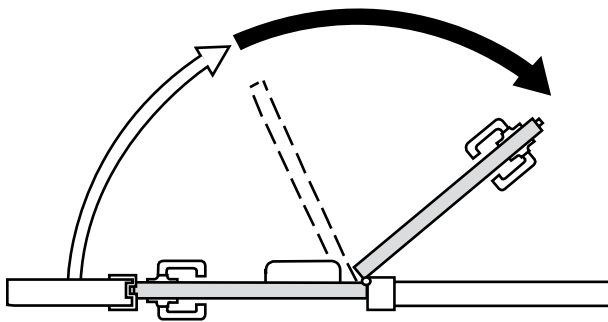
DC5000

Arm

The linkage of a closer that connects the body to the door or frame.

Backcheck

Slows a door during the opening cycle, by providing cushioned resistance to a forceful opening. Designed to protect people and objects behind the door and to prevent damage to the closer, hardware, and wall. Intensity can be increased or decreased. Not intended to act as a stop.



Closing Speed

The speed at which a door swings from the open position to within a few degrees of latching. See Latching Speed.

Door Stop

A device to stop the swing of a door.

Hold Open

Maintains door at a particular degree of opening. A mechanical hold open may not be used on labeled fire doors, which must be self-closing.

Latching Speed

The speed of the door during the last few degrees of closing. Allows latching and prevents slamming.

Mounting

The method by which a closer is attached to the door and frame.

Multi-Sized Closer

A closer whose spring tube design allows full adjustment of the spring power size from 1 through 6.

Sex Nuts and Bolts (SNBs)

Thru-bolts required for all non-steel-reinforced fire doors, and recommended for non-reinforced wood and mineral core doors.

Spring Power

A measurement of closing force, or the ability to overcome draft, air pressure, weight or other resistance to door closing.

Star Punch

An eight-sided socket hole in the closer arm, permitting spindle pre-loading. Provides full functioning of backcheck and delayed action valves, and additional closing force, on parallel arm mountings.

Universal Mounting

The ability of a closer to accommodate either hand of door for regular, top jamb or parallel arm mounting.

How to Specify

DC5000

Suggested Specifications

1. All door closers shall be DC5000 Series Door Closers as manufactured by Corbin Russwin Architectural Hardware.
2. Door Controls____ (interior) (exterior) swinging door(s) shall be cam and roller design contained within a precision cast aluminum housing.
3. Door closing force shall be adjustable to ensure adequate closing control. Door closing speed shall be controlled by independent hydraulic adjustment valves in the sweep and latch range of the closing cycle. Door closer shall have an adjustable hydraulic backcheck valve to cushion the door speed if door is opened violently.
4. Maximum door open shall be templated to (85°), (90°), (100°), (110°), conditions permitting. Door closer shall have hold open capability with an on/off selector and tension adjustment.
5. Non-hold open units shall be U.L. Listed for self-closing door. Unit shall be in compliance with the requirements of the Americans With Disabilities Act (ADA). ANSI standards A117.1. Units shall meet C-UL US.
6. Closers shall carry a ten-year limited warranty.

Notes

DC5000



ASSA ABLOY

In U.S.

Corbin Russwin
Architectural Hardware
225 Episcopal Road
Berlin, CT 06037
Phone: 800-543-3658
Fax: 800-447-6714
corbinrusswin.com

In Canada

ASSA ABLOY Door
Security Solutions Canada
160 Four Valley Drive
Vaughan, Ontario
Canada L4K 4T9
Phone: 800-461-3007
Fax: 905-738-2478
www.assaabloy.ca

For more information regarding Corbin Russwin Locksets, Exit Devices, Door Controls and Key Systems, contact your authorized Corbin Russwin Distributor or Sales Representative.

Corbin Russwin and Design® is a registered trademarks of Corbin Russwin, Inc., an ASSA ABLOY Group company. Other products' brand names may be trademarks or registered trademarks of their respective owners and are mentioned for reference purposes only. These materials are protected under US copyright laws. All contents current at time of publication. Corbin Russwin, Inc., an ASSA ABLOY Group company reserves the right to change availability of any item in this catalog, its design, construction, and/or its materials. Copyright © 2010, 2015 Corbin Russwin, Inc., an ASSA ABLOY Group company. All rights reserved. Reproduction in whole or in part without the express written permission of Corbin Russwin, Inc. is prohibited.

ASSA ABLOY is the global leader in door opening solutions, dedicated to satisfying end-user needs for security, safety and convenience

45204-5/15