



911167-00

With 378L Control Option

237

VON DUPRIN®

Installation Instructions



Index:

- General Information ..... 2
- Revision Notes ..... 2
- Warnings ..... 2
- Parts List ..... 3
- Installation ..... 4
- Templates ..... 11



**Customer Service**

1-877-671-7011    [www.allegion.com/us](http://www.allegion.com/us)

© Allegion 2014  
 Printed in U.S.A.  
 911167-00 Rev. 01/14-d

# GENERAL INFORMATION

These instructions are presented in step-by-step sequence and include templates in the back as an aid to preparing for device mounting.

Please review the first two pages carefully which will help identify the hardware and define the terminology used throughout.


**Revision 1:** Added note in Step 4 on Page 5.

**Revision 2:** Added NL cylinder plate installation instruction.

***READ ALL WARNINGS BEFORE STARTING INSTALLATION!***


**⚠ WARNING**

Install in accordance with instructions or device will not function.

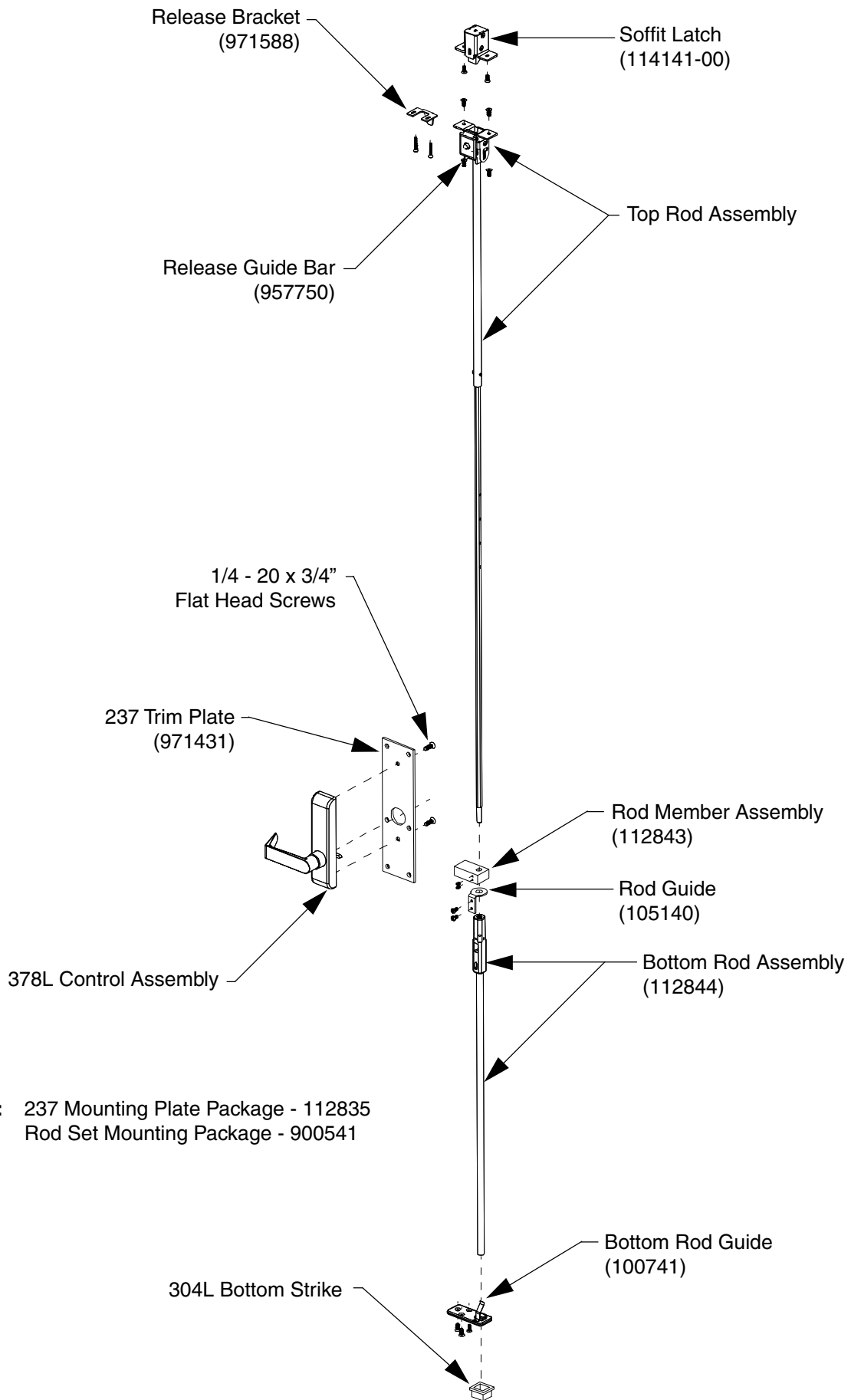


**⚠ CAUTION**

Any door preparation must be performed by an installer who is certified by the manufacturer.



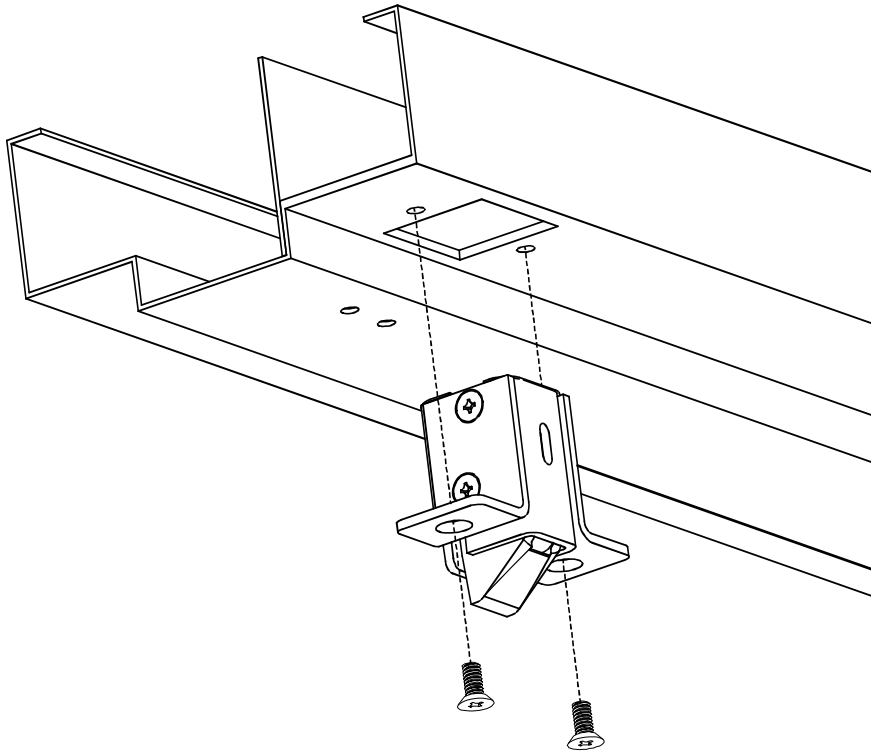
# 237 Device Parts List



# INSTALLATION

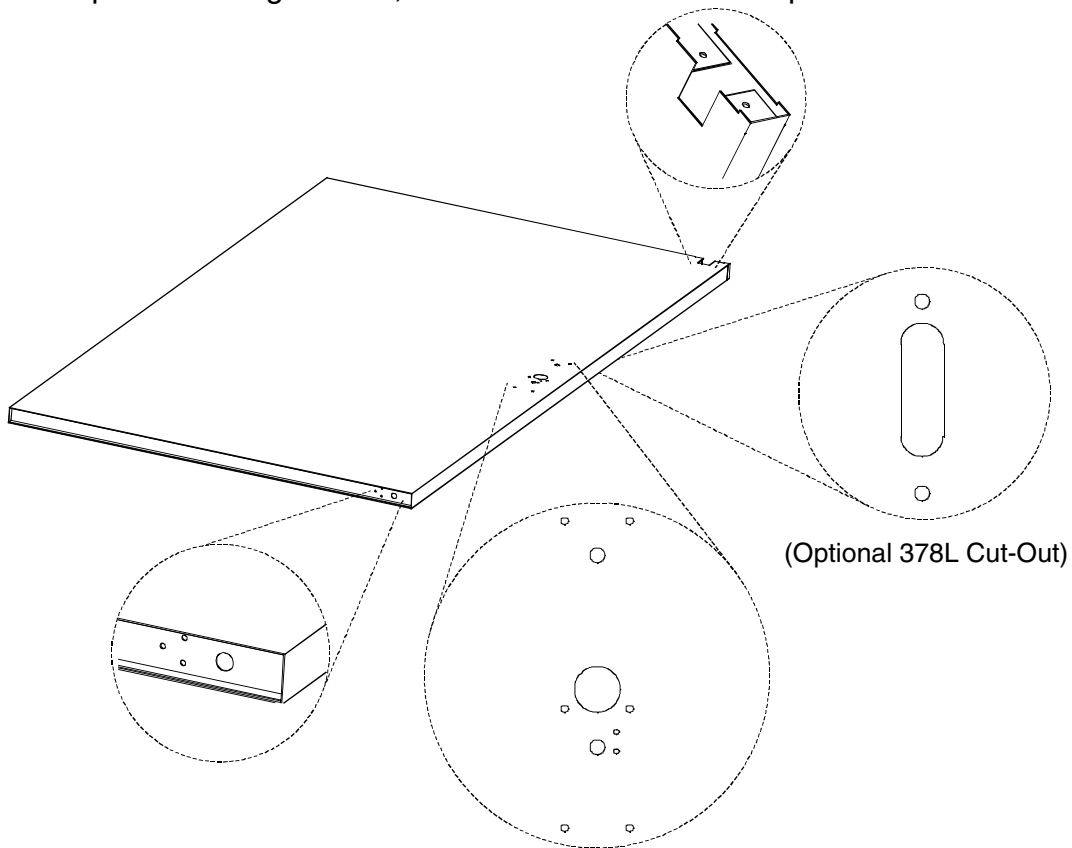
## 1 Mount soffit latch to frame.

**Note:** Door must be at least 1 3/4" thick.



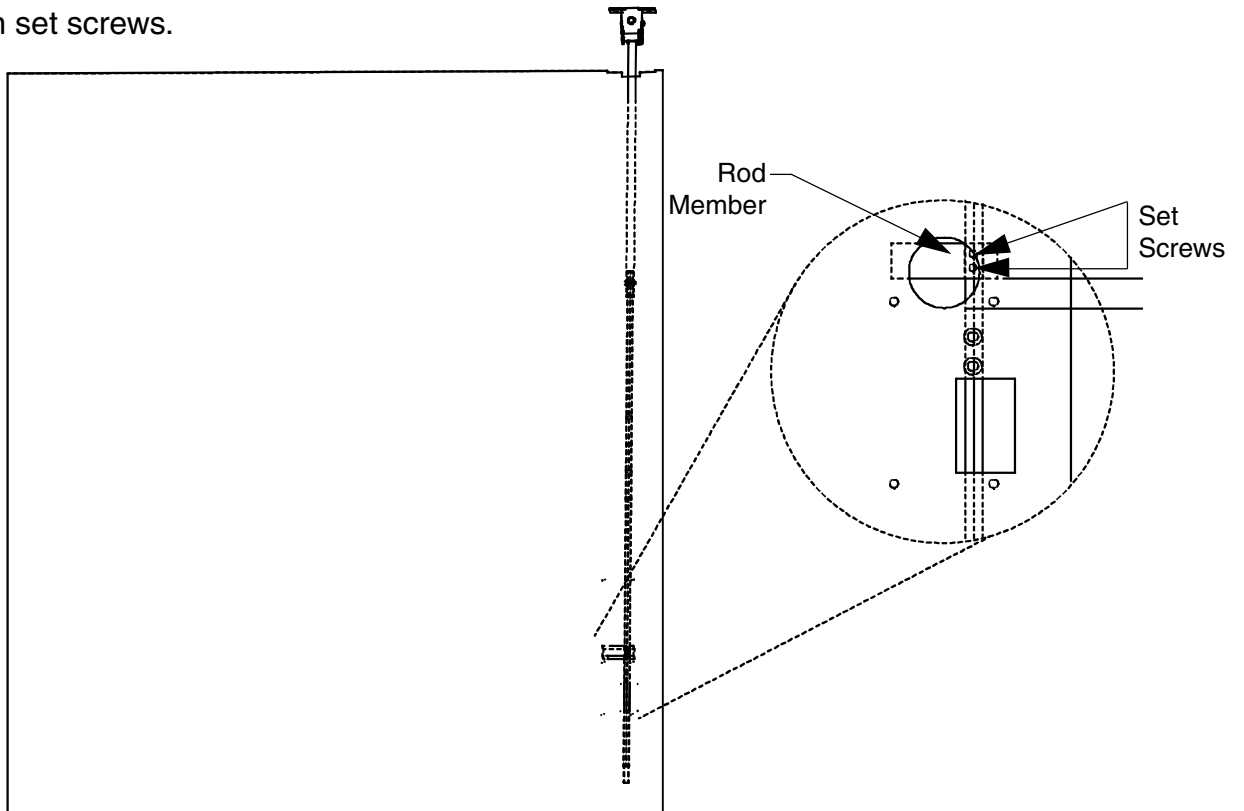
## 2 Prep door (see templates on pages 11-12).

**Note:** For steps two through seven, door must be in horizontal position.

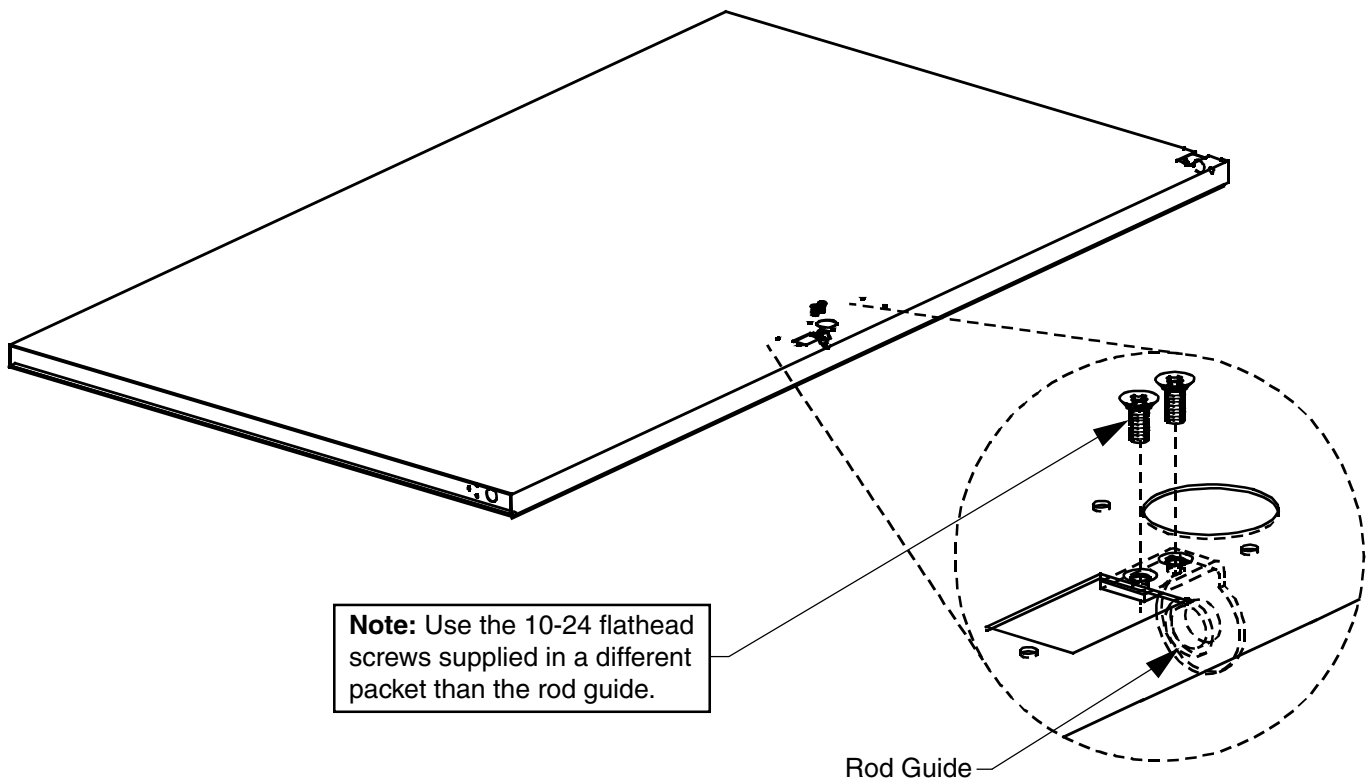


### 3 Insert top rod and attach rod member.

- A. Position rod member so bottom half will be visible through 1 1/2" circular cutout when fully inserted.
- B. Tighten set screws.

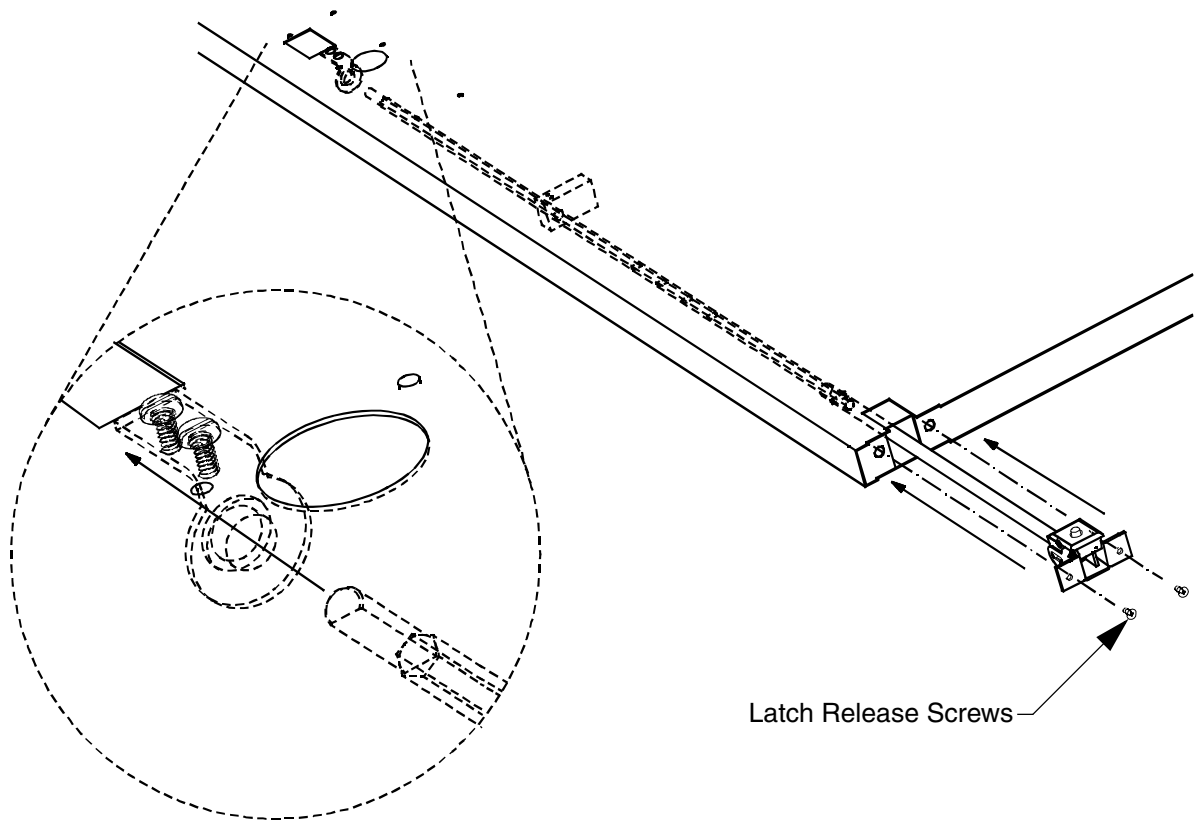


### 4 Install rod guide.



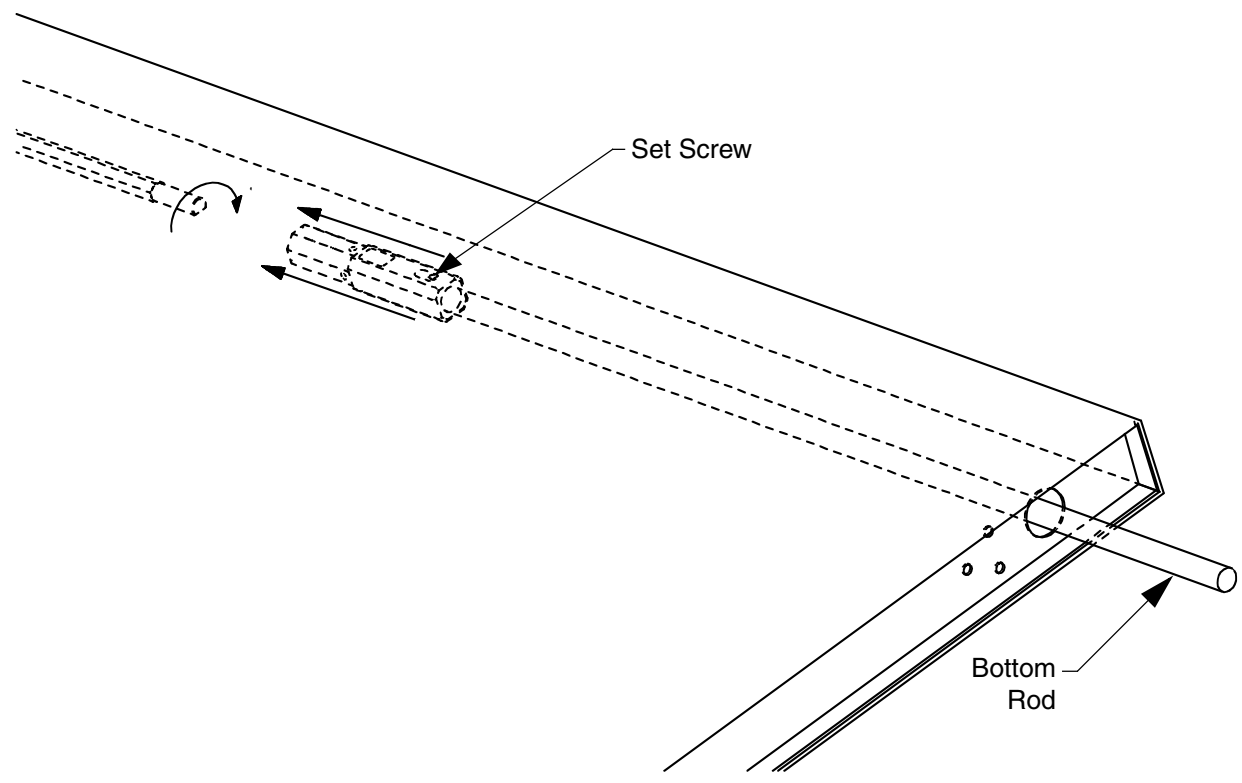
**5** Slide top rod through rod guide.

A. Install latch release screws.



**6** Install bottom rod.

A. Screw into top rod until 5/8" projection is achieved.  
B. Tighten set screw.



## 7 Assemble 237, 378L control.

**TL Function** - Control remains unlocked when key is removed

**NL Function** - Control relocks when key is removed. Requires use of key to operate

For NL function replace TL cylinder plate (std. on all controls) with NL cylinder plate (included in polybag) replacing screw and washer.

**Note:** Control must be in locked position when installing cylinder plate.

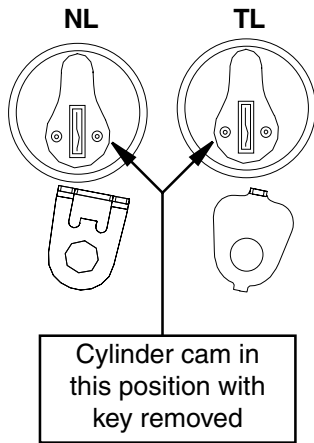
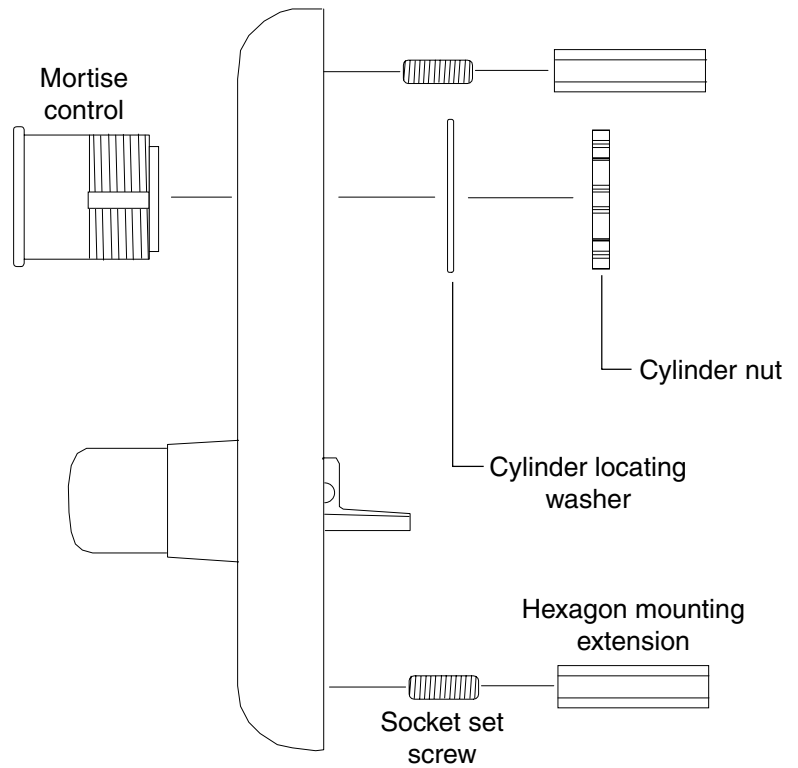
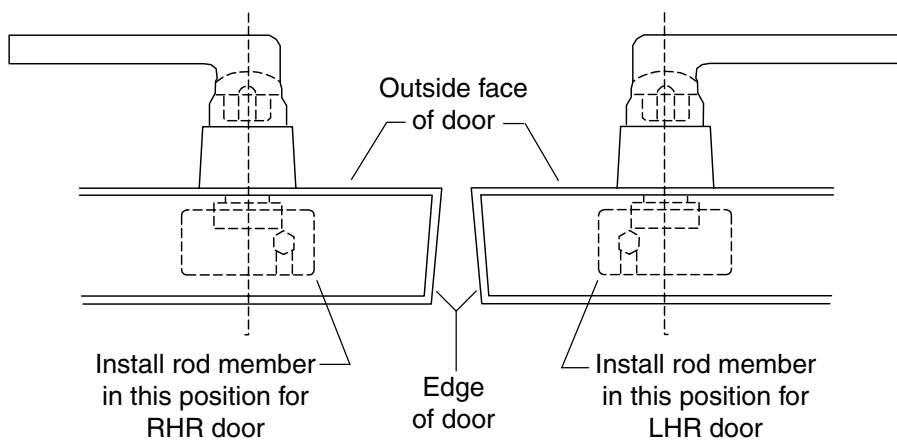
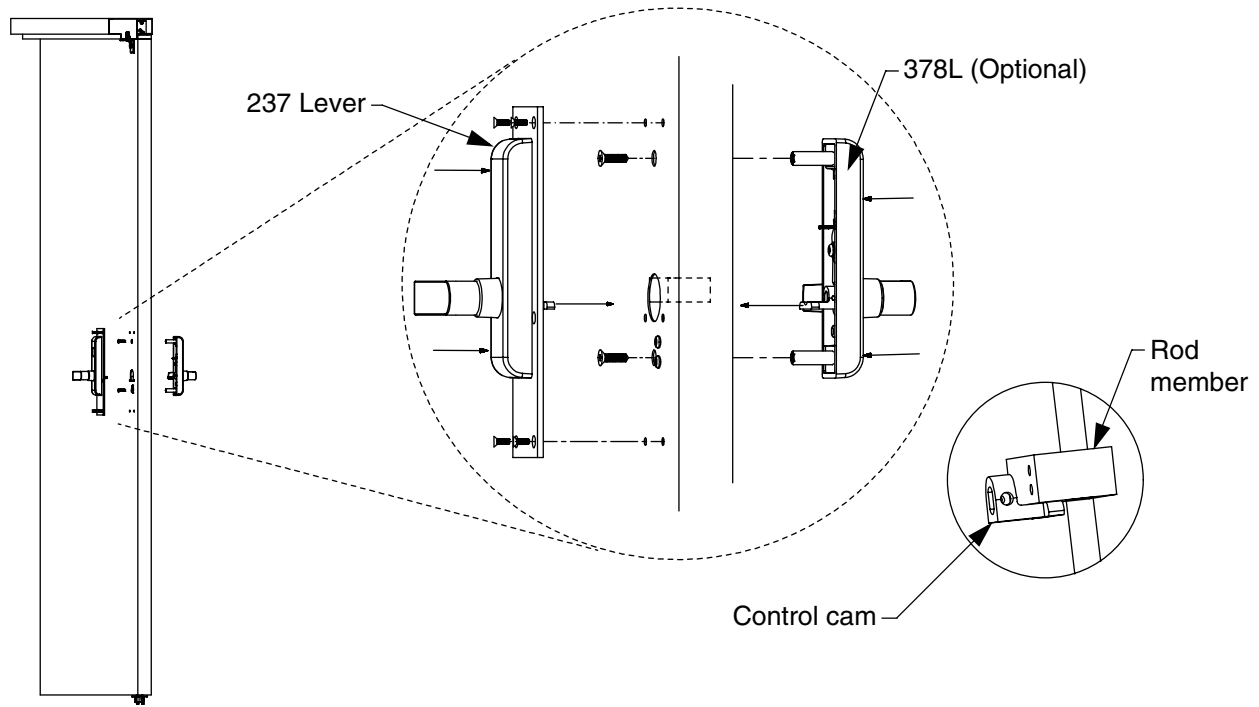


Figure 1



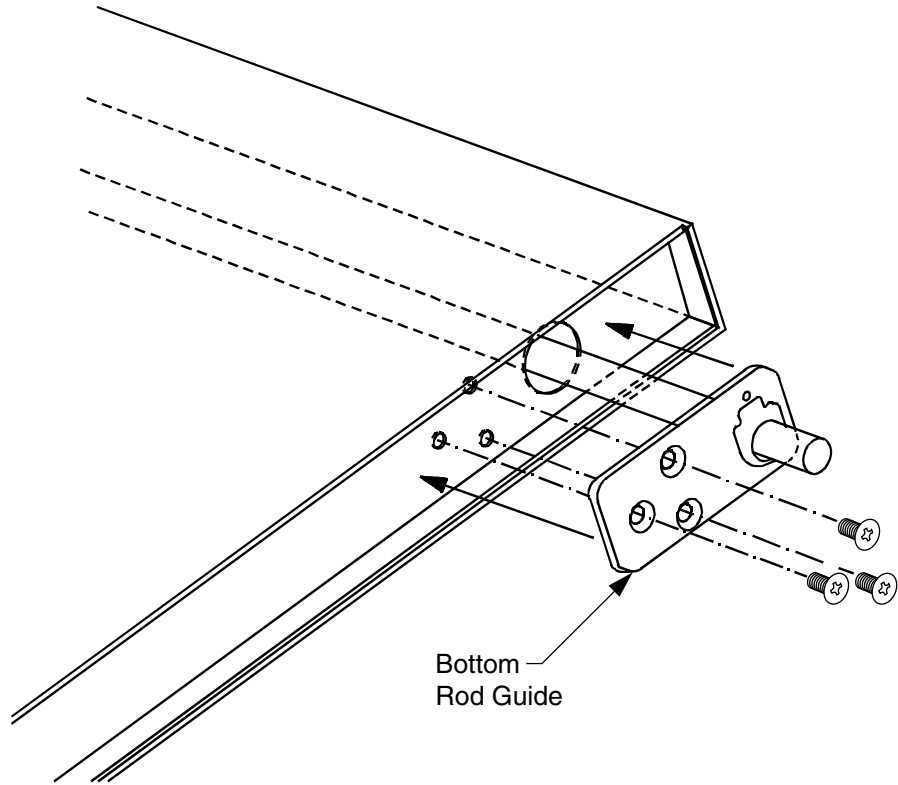
## 8 Loosen set screws and position rod member against top of control cam(s).

- A. Mount 237 lever to trim plate using 1/4" - 20 x 3/4" flat head screws.  
**Note:** The hex studs must be removed from the 237 lever assembly.
- B. Establish rod member position, tighten set screws.
- C. If NL function is required, see Figure 1 on page 7.
- D. Install lever(s) to door.

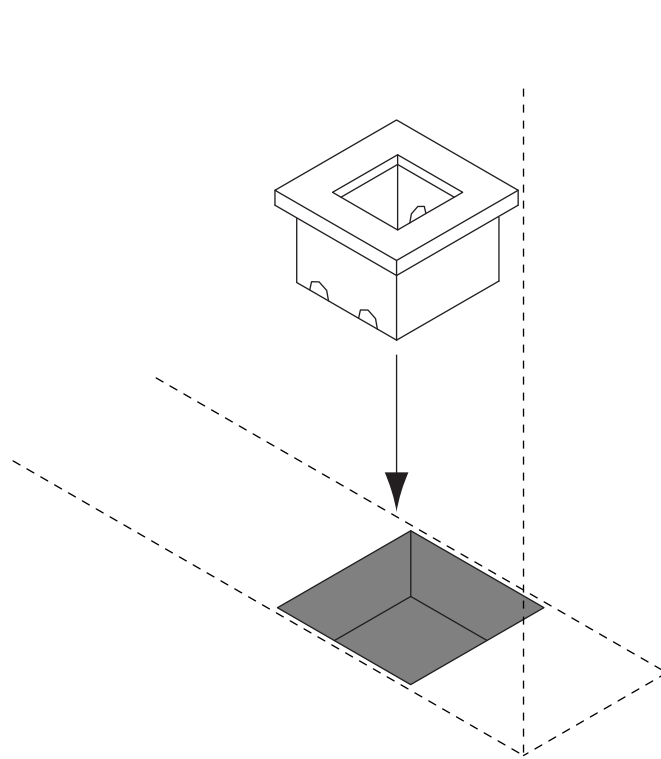




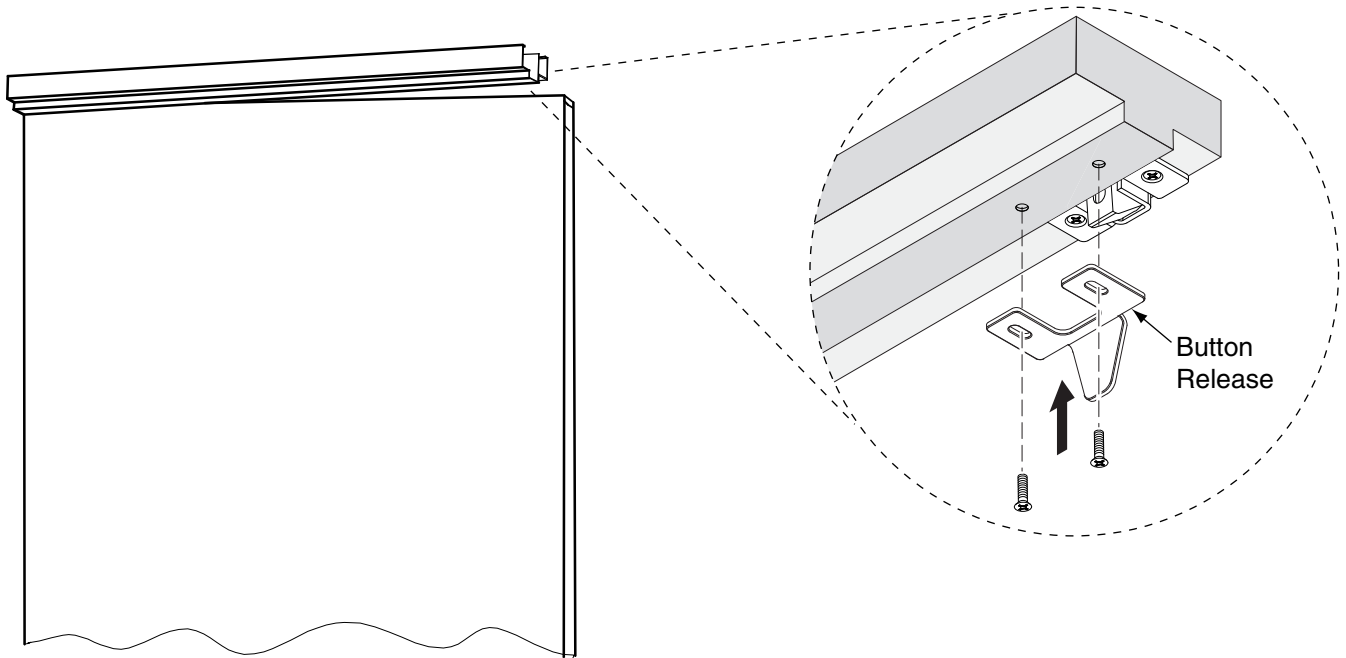
**9** Install bottom rod guide.



**10** Grout bottom strike into floor.



**11** Install button release.





# TEMPLATES - 378L Cutouts

