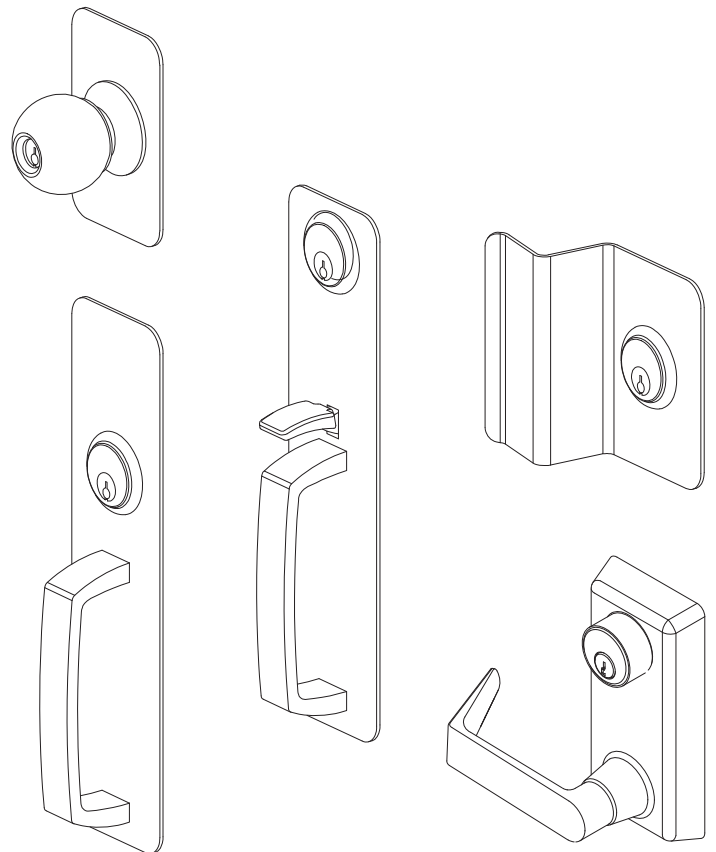


VON DUPRIN®

110, 210, & 230 Series Trim

Service manual



INDEX

General Information

Introduction	2
How to Order	2
Part Number Changes	2
110, 210, 230 Series Trim Finishes	2

110, 210, 230 Series Trim Parts

110NL-MD	3
210NL	3
210K	4
210K-BE	4
230NL	5
230DT	5
230TP	6
230TP-BE	7
230L	8

INTRODUCTION

This manual contains a listing of replaceable parts and assemblies for the 110, 210, and 230 Series Trim.

HOW TO ORDER

Some parts are sold separately. Other items are available as part of a kit or multiple quantity package. For the best possible service when ordering replacement parts or assemblies, please provide the following information:

- Part number or assembly number
- Description
- Quantity needed
- Finish desired (if available finished)
- Date of original purchase (if known)

To find out the name of your local Von Duprin distributor or sales representative, contact:

Von Duprin Division
Allegion
2720 Tobey Drive
Indianapolis, Indiana 46219
Phone: (877) 671-7011

PART NUMBER AND AVAILABILITY CHANGES

This manual was designed to help illustrate the replacement parts and kits that are available for sale. Because of changes to the product and/or manufacturing process, part numbers and availability can change over time.

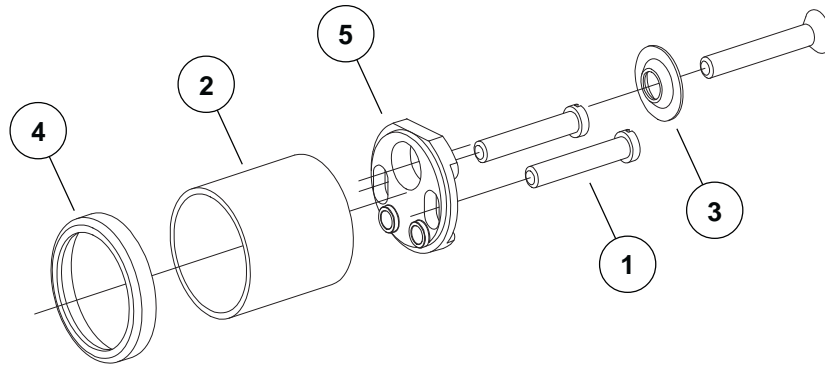
110, 210, 230 SERIES TRIM FINISHES

US Number	BHMA Number	Color
SP28	689	Aluminum (lacquered)
SP313	695	Bronze, dark (painted)

110NL-MD PARTS

Item No.	Part No.	Description	Quantity	Finish
1	959055	550/555/556 Special Cylinder Screw - 1-3/4" Door	1	
1	959056	550/555/556 Special Cylinder Screw - 2-1/4" Door	1	
2	960060	110NL Cylinder Spacer Collar	1	
3	961180	110NL Cylinder Assembly Countersink Washer	1	
4	967291	110NL-MD Cylinder Collar	1	X
5	971593	110NL Cylinder Assembly Cylinder Disc	1	

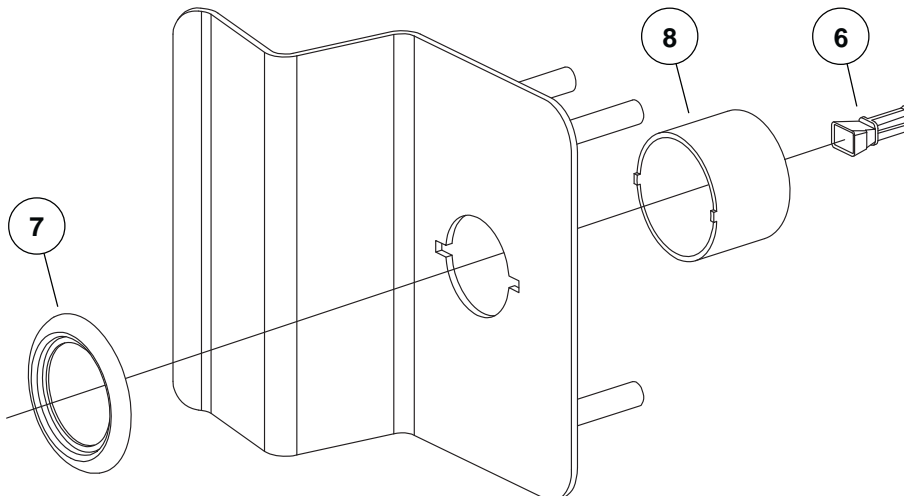
X in "Finish" column designates finished item; specify finish when ordering.



210NL PARTS

Item No.	Part No.	Description	Quantity	Finish
6	050156	Tailpiece Guide Lead Kit	10	
7	965226	Cylinder Collar	1	X
8	968201	210/230 Cylinder Retaining Cup	1	

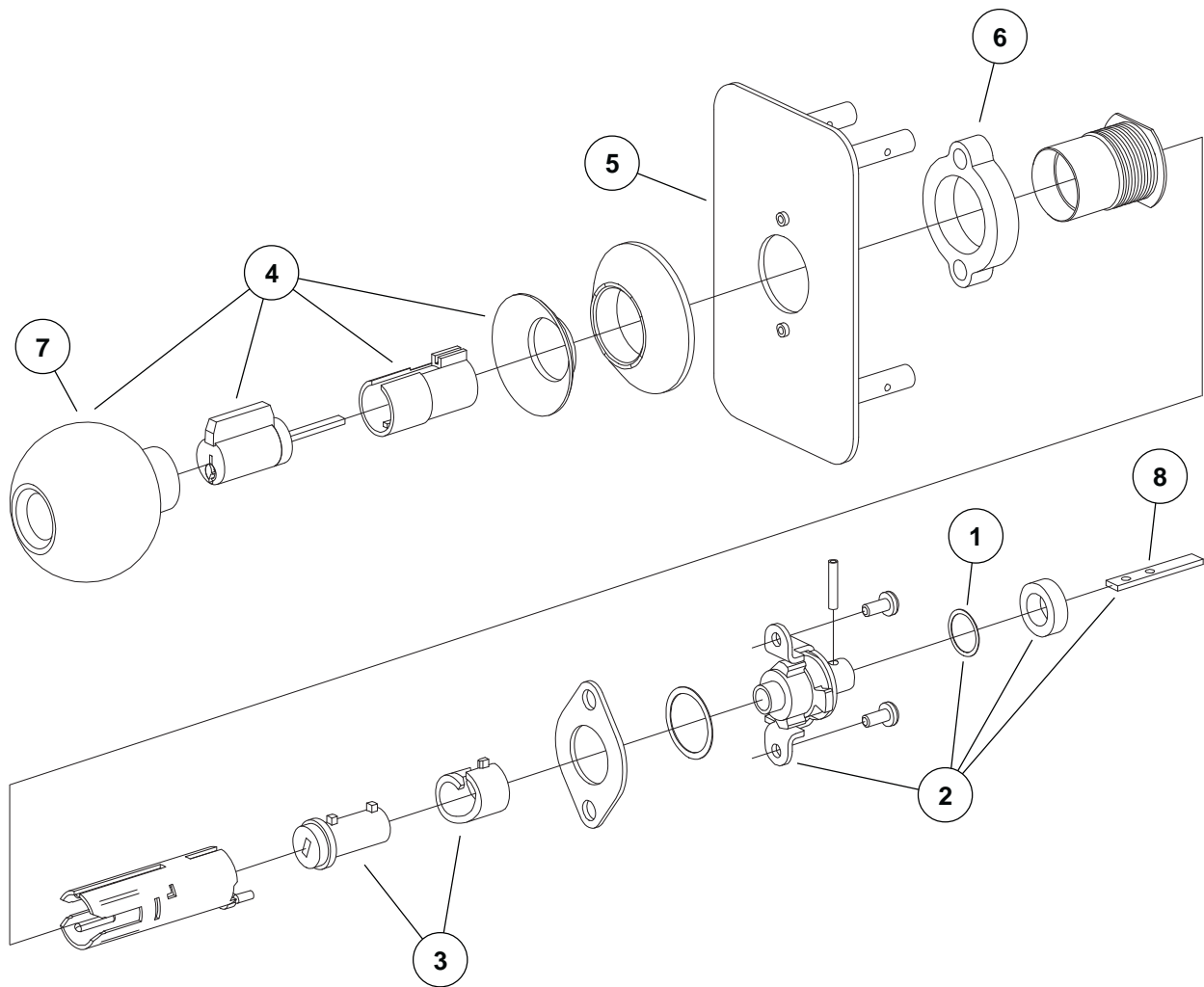
X in "Finish" column designates finished item; specify finish when ordering.



210K, 210K-BE PARTS

Item No.	Part No.	Description	Quantity	Finish
1	090103	210K Wave Spring Washer Pkg.	10	
2	109871	210K Bracket & Booster Assembly	1	
3	109872	210K Spiral Cam Sub-Assembly	1	
4	109873	210K Cylinder Knob Sub-Assembly	1	X
5	109879	210K Trim Sub-Assembly	1	X
6	969140	210K Knob Spacer	1	
7	969157	210K Knob	1	X
7	969352	210K-BE Knob	1	X
8	970979	210K/L Spindle Shaft	1	

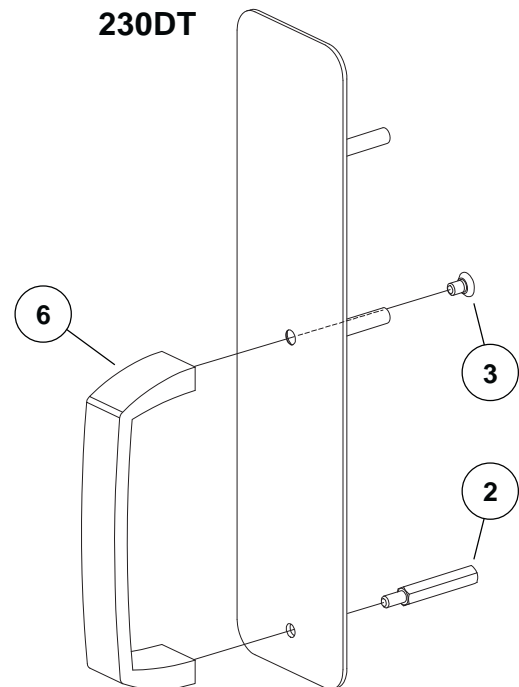
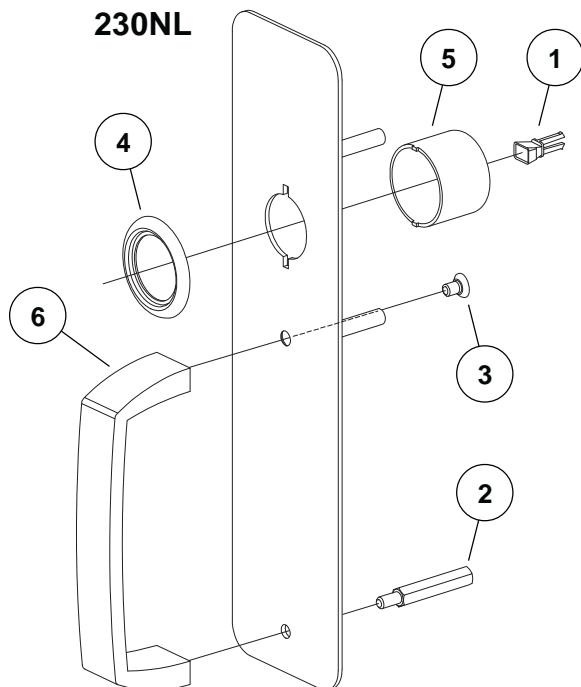
X in "Finish" column designates finished item; specify finish when ordering.



230NL, 230DT PARTS

Item No.	Part No.	Description	Quantity	Finish
	050140	230DT x 330/350 Screw Pkg. 1-3/4" Door		X
		#12 Countersink Washer	1	
		12-24 x 3/4" OPHMS	1	
		#10 Countersink Washer	4	
		10-24 x 3/4" OPHMS	4	
	050141	230DT x 330/350 Screw Pkg. 1-3/4" Door		X
		#12 Countersink Washer	1	
		12-24 x 1-1/4" OPHMS	1	
		#10 Countersink Washer	4	
		10-24 x 1-1/4" OPHMS	4	
1	050156	Tailpiece Guide Lead Kit	10	
2	956760	Hex Stud	1	
3	963579	12-24 x 3/8" UFPHMS	1	
4	965226	Cylinder Collar	1	X
5	968201	210/230 Cylinder Retaining Cup	1	
6	969925	230 Pull Grip	1	X

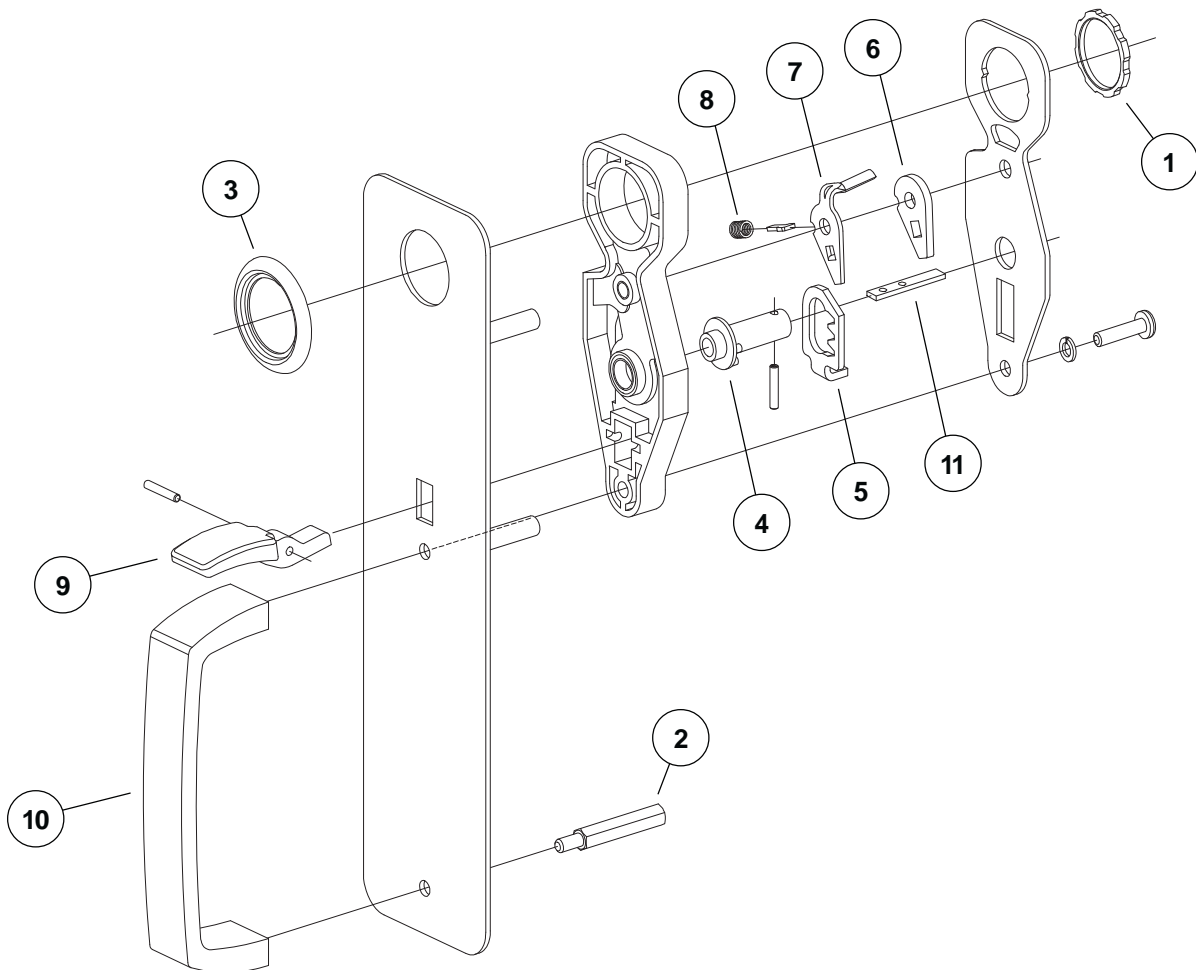
X in "Finish" column designates finished item; specify finish when ordering.



230TP PARTS

Item No.	Part No.	Description	Quantity	Finish
1	050526	230L Cylinder Locknut	1	
2	956760	Hex Stud	1	
3	965226	Cylinder Collar	1	X
4	969903	230TP Cam	1	
5	969904	230TP Slider	1	
6	969906	230TP Locking Cam	1	
7	969908	230TP Locking Cam Latch	1	
8	969909	230TP Compression Spring	1	
9	969910	230TP Thumbpiece	1	X
10	969925	230 Pull Grip	1	X
11	970979	210K/L Spindle Shaft	1	

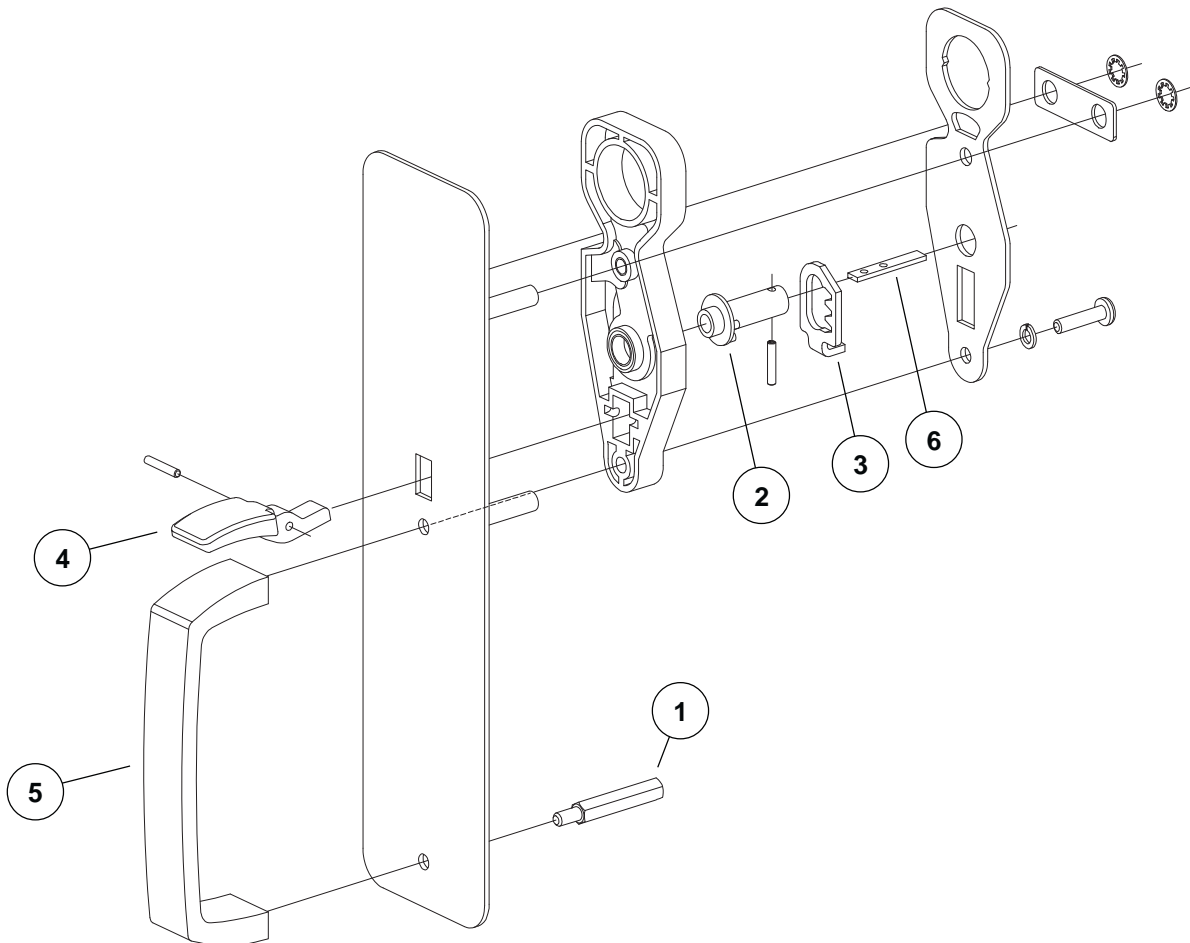
X in "Finish" column designates finished item; specify finish when ordering.



230TP-BE PARTS

Item No.	Part No.	Description	Quantity	Finish
1	956760	Hex Stud	1	
2	969903	230TP Cam	1	
3	969904	230TP Slider	1	
4	969910	230TP Thumbpiece	1	X
5	969925	230 Pull Grip	1	X
6	970979	210K/L Spindle Shaft	1	

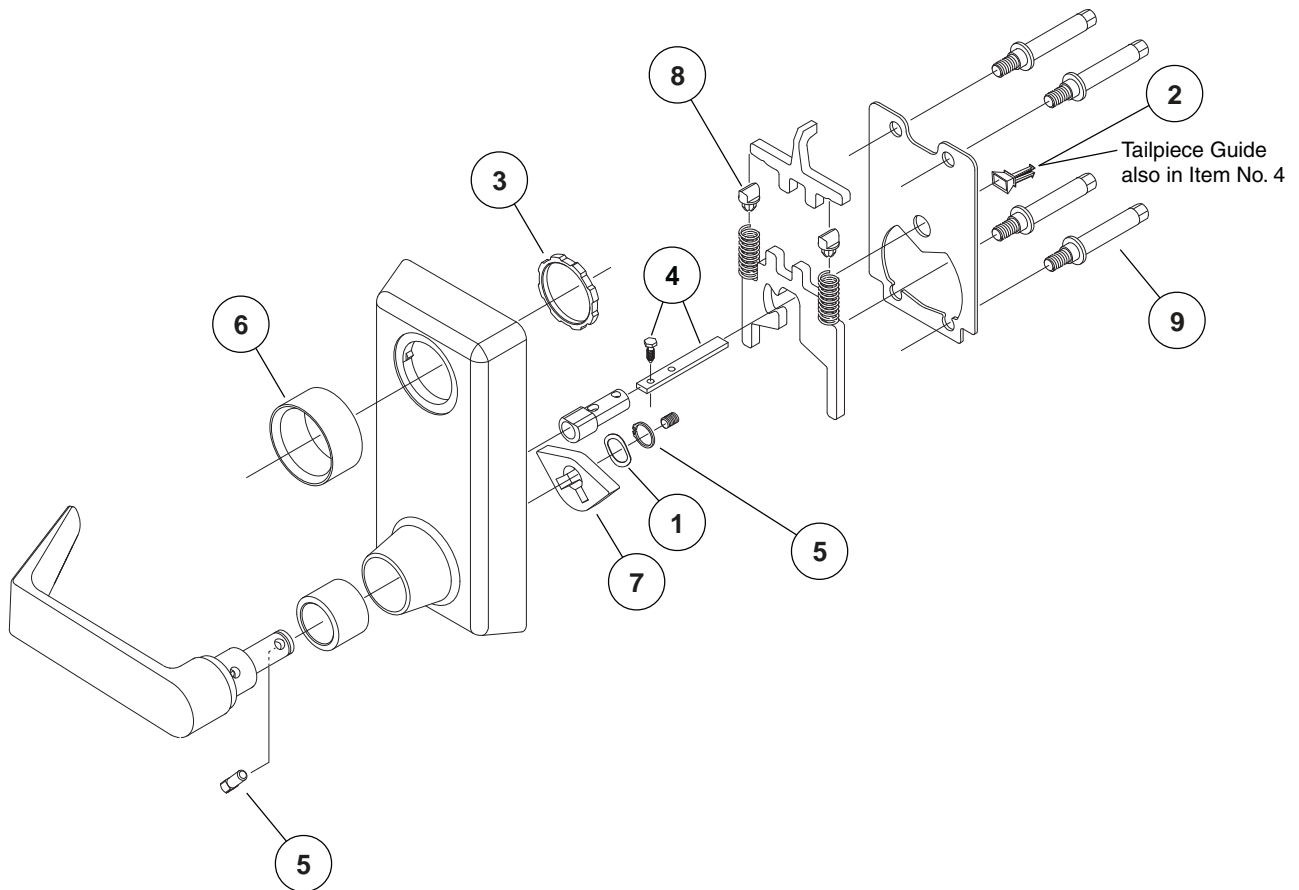
X in "Finish" column designates finished item; specify finish when ordering.



230L PARTS

Item No.	Part No.	Description	Quantity	Finish
1	090103	Wave Spring Washer Package	10	
2	050156	Tailpiece Guide Lead Kit	10	
3	050526	230L Cylinder Locknut	1	
4	900894	230L Tailpiece Auxiliary		
		Tailpiece Guide	1	
		Pine Tree Clip	1	
	Tailpiece	1		
5	050611	230L Retaining Ring and Shear Pin	1	
6	971249	230L Cylinder Collar	1	
7	050813	230L Lever Cam	1	
8	971497	230L Locking Plunger	1	
9	971245	230L Stud	1	

X in "Finish" column designates finished item; specify finish when ordering.



About Allegion

Allegion (NYSE: ALLE) creates peace of mind by pioneering safety and security. As a \$2 billion provider of security solutions for homes and businesses, Allegion employs more than 7,800 people and sells products in more than 120 countries across the world. Allegion comprises 23 global brands, including strategic brands CISA®, Interflex®, LCN®, Schlage® and Von Duprin®.

For more, visit www.allegion.com.

aptiQ ■ LCN ■ **SCHLAGE** ■ STEELCRAFT ■ VON DUPRIN