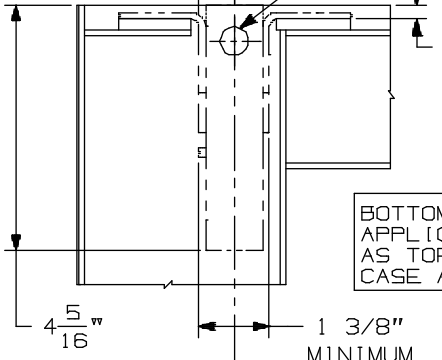
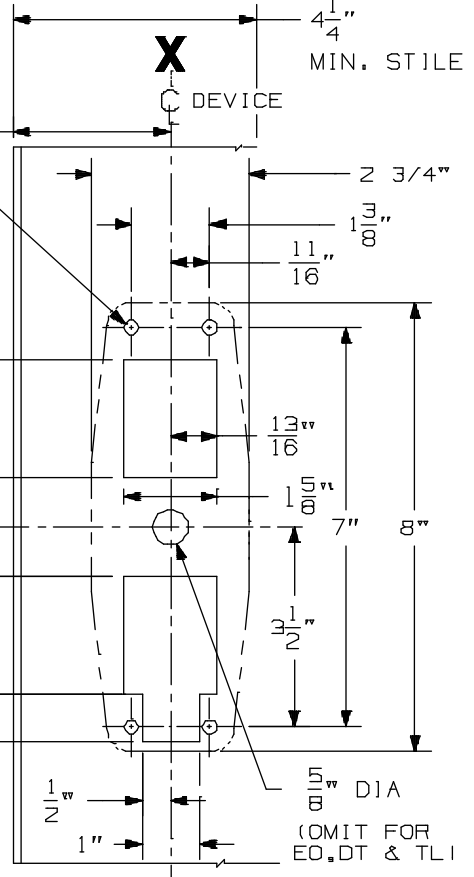


APPLICATION	PREPARATION
SURFACE APPLICATION	#10-24 TAP - 4 PLACES
990 TRIM APPLICATION	1/4 DIA. THIS SIDE
SEX BOLT APPLICATION	13/32 DIA. OPPOSITE SIDE - 4 PLACES

NOTE 1: THESE 4 HOLES TO BE PREPARED FOR SURFACE APPLICATION (#10-24 TAP) WHEN USING 696/697 TRIM. DO NOT PREPARE FOR SEX BOLTS



LHR SHOWN
RHR OPPOSITE

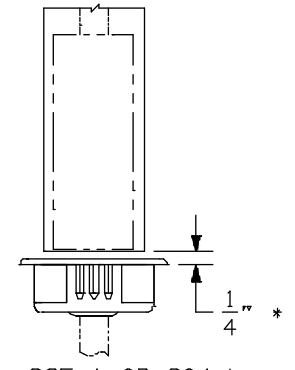
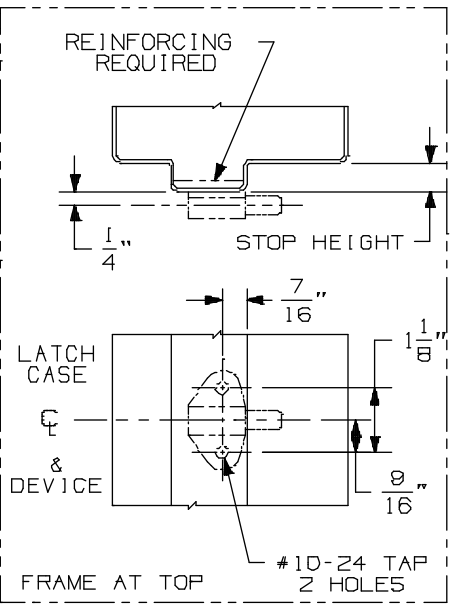


X INSIDE FACE OF LOCK STILE LHR DOOR

PREP AT BOTTOM SAME AS TOP
GLASS BEAD KIT AVAILABLE WHEN REQUIRED

*1/4" UNDERCUT REQUIRED FOR THIS DEVICE

NOTE: IT IS RECOMMENDED THE MOUNTING HOLES BE PREPARED IN THE FIELD FOR OUTSIDE TRIM PREPARATION, WHEN REQUIRED SEE ADDITIONAL TRIM TEMPLATE



HH98/9947, 98/9947-F & 98/9948-F Series Concealed Vertical Rod Device

VON DUPRIN®

NOTES: SEE MASTER SHEET #10001 FOR SUGGESTED REINFORCING

TEMPLATE NUMBER:

10319_b

DATE:
06-14-21