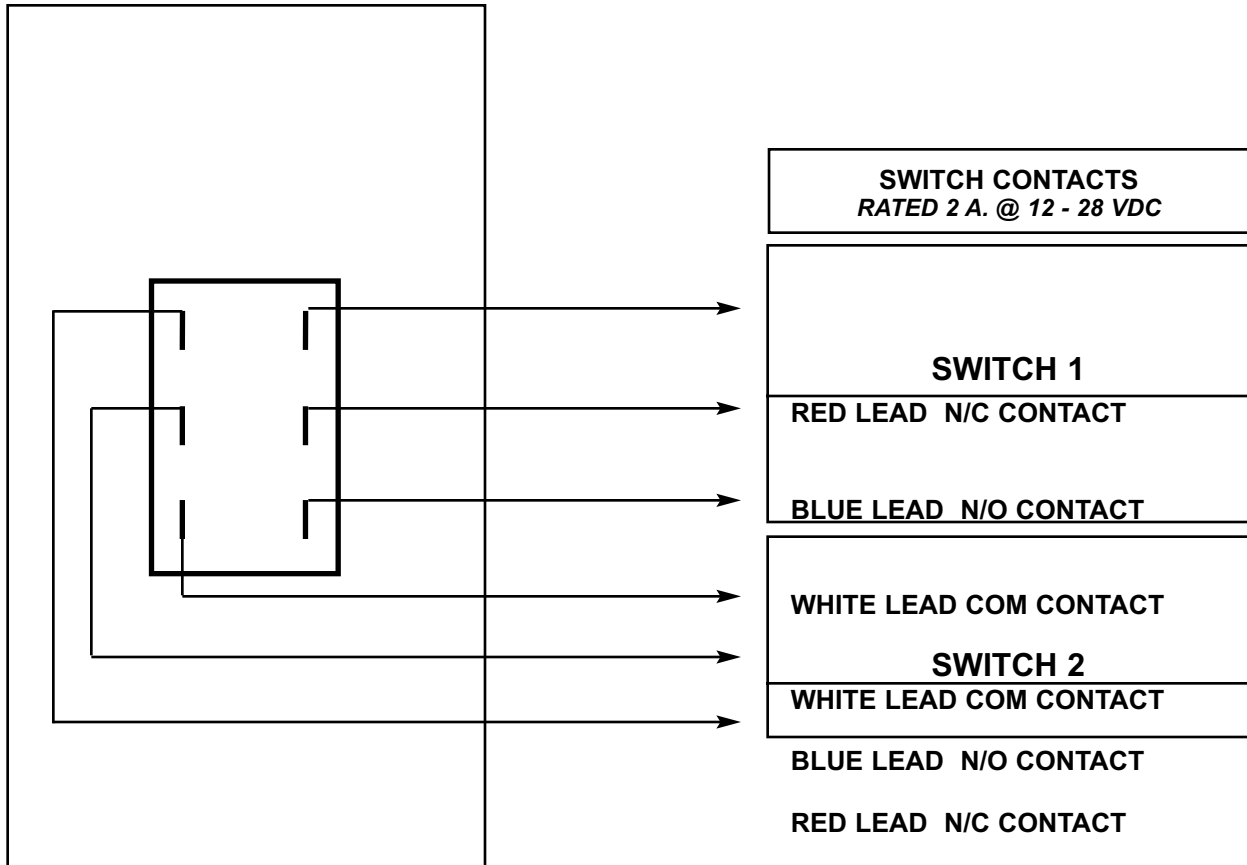


# INSTALLATION INSTRUCTIONS

## MODEL TS-23

REAR VIEW OF PLATE



**ALARM CONTROLS CORPORATION**

**19 BRANDYWINE DRIVE P.O. BOX 280**

**DEER PARK, NY 11729**

**PH: 1 800 645-5538 1 631 586-4220 FAX ; 1 631 586-6500**

**WWW.ALARMCONTROLS.COM EMAIL: INFO@ALARMCONTROLS.COM**