



## Installation Instructions for 7K Dummy Trim

### 1 Mark and drill holes

- 1 Draw a height line across the face of the door (suggested height is 40-5/16" from the finished floor).

**Note:** For pairs of doors, install the dummy trim at the same height line and backset distance from the edge of the door to the center of the lock trim on both the active and inactive sides of doors.

- 2 Place the template on the door. Mark and drill the four holes.

### 2 Install the dummy trim

- 1 Remove the rose from the liner.

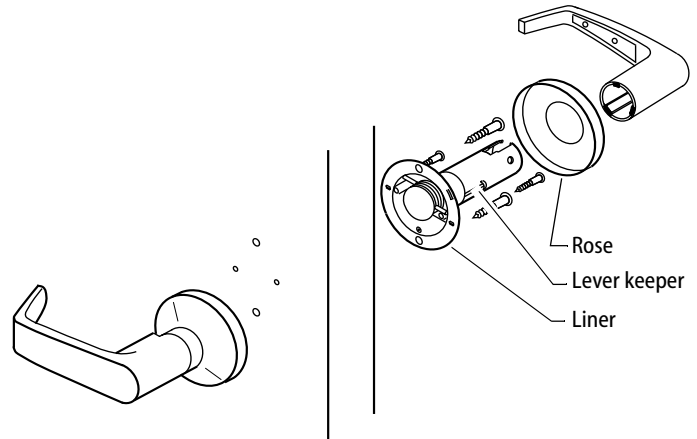


Figure 1

- 2 Place the rose liner on the door surface with the lever keeper toward the door edge and align the four holes with the marks made.

T56151/Rev – 1819038 ER7991-8 Mar 2000

**BEST ACCESS SYSTEMS**  
Indianapolis, Indiana



## Installation Instructions for 7K Dummy Trim

### 1 Mark and drill holes

- 1 Draw a height line across the face of the door (suggested height is 40-5/16" from the finished floor).

**Note:** For pairs of doors, install the dummy trim at the same height line and backset distance from the edge of the door to the center of the lock trim on both the active and inactive sides of doors.

- 2 Place the template on the door. Mark and drill the four holes.

### 2 Install the dummy trim

- 1 Remove the rose from the liner.

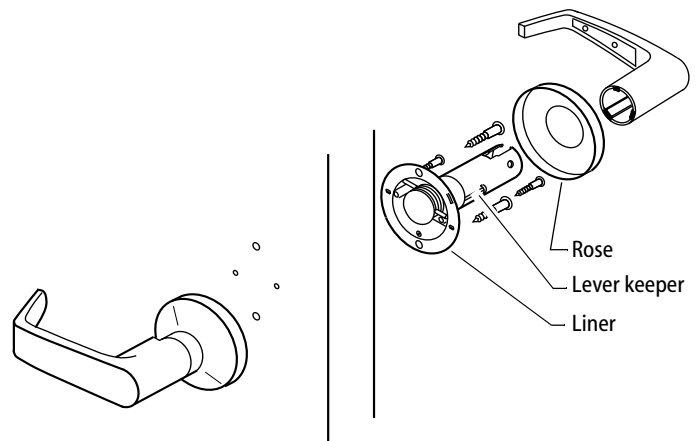


Figure 1

- 2 Place the rose liner on the door surface with the lever keeper toward the door edge and align the four holes with the marks made.

T56151/Rev – 1819038 ER7991-8 Mar 2000

**BEST ACCESS SYSTEMS**  
Indianapolis, Indiana

- 3 Insert the two #12 x .75" screws at the top and bottom locations and the two #6 x 1.5" screws on the left and right sides. Tighten the screws into door.
- 4 Slip the rose over the sleeve and liner, aligning the open slot with the spring catch on the rose liner. Tip the rose slightly, depressing the rose catch (if required) to allow rose to snap onto the liner. Be sure spring catch protrudes slightly from slot and that the rose is flush against the door around the entire edge.

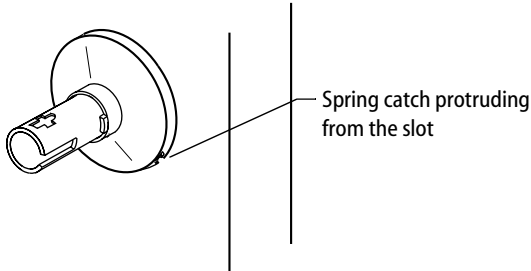


Figure 2

- 5 Pull on rose to ensure complete engagement.
- 6 Install the lever by aligning the lug in the lever with the slot in the sleeve. Push lever on completely.

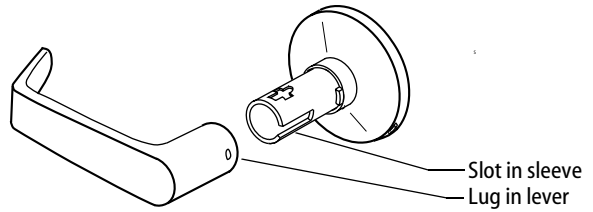


Figure 3

- 7 Depress lever keeper, if necessary, with the tool tip to allow lever to go on. Pull on the lever to ensure complete engagement with the keeper.

**BEST ACCESS SYSTEMS**

Indianapolis, Indiana

- 3 Insert the two #12 x .75" screws at the top and bottom locations and the two #6 x 1.5" screws on the left and right sides. Tighten the screws into door.
- 4 Slip the rose over the sleeve and liner, aligning the open slot with the spring catch on the rose liner. Tip the rose slightly, depressing the rose catch (if required) to allow rose to snap onto the liner. Be sure spring catch protrudes slightly from slot and that the rose is flush against the door around the entire edge.

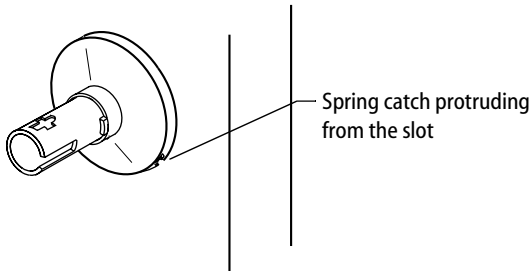


Figure 2

- 5 Pull on rose to ensure complete engagement.
- 6 Install the lever by aligning the lug in the lever with the slot in the sleeve. Push lever on completely.

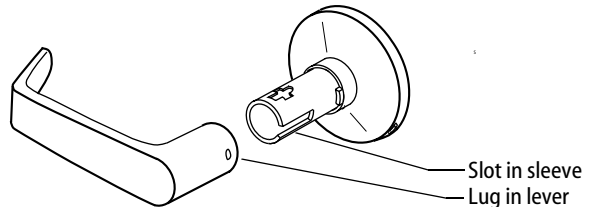


Figure 3

- 7 Depress lever keeper, if necessary, with the tool tip to allow lever to go on. Pull on the lever to ensure complete engagement with the keeper.

**BEST ACCESS SYSTEMS**

Indianapolis, Indiana