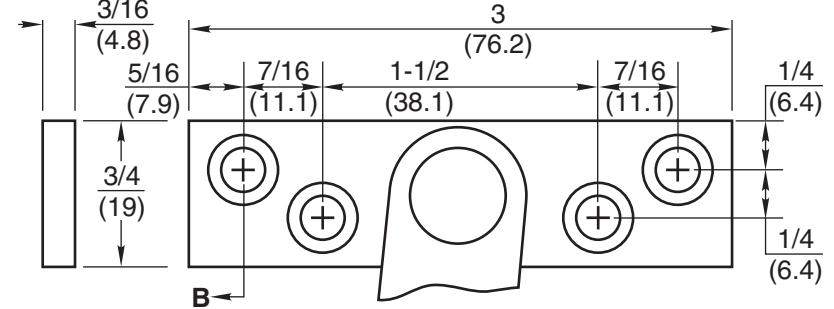


2. Locate "B" dimension on frame and mortise 3/16" (4.8) deep for jamb bracket as shown.



3. Locate "A" and "F" dimensions on centerline of door and mortise 13/16" wide x 7/8" deep (20.6 x 22.2) for channel, 1/16" (1.6) head clearance shown. Coordinate the arm and rail cutout dimensions if head clearance varies.

4. Locate "C" And "E" dimensions on top of door and mortise 1/4" (6.4) deep as shown for arm clearance.

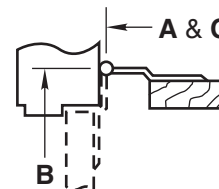
5. Install door stop or holder with screws provided.

Notes:

- All hollow metal frames are to be provided with 3/16" (4.8) min. thickness x 12" (304.8) min. length reinforcement plates.
- All hollow metal doors are to have minimum 3/16" reinforcement plates.
- If dead stop is required add 5/8" (15.8) to "A" dimension as noted on opposite side of page.
- Jamb bracket to be on same centerline as channel.
- A, B and C dimensions are measured from centerline of pivot, not edge of door.
- Reversible, non-handed.
- All dimensions are given in inches (mm).

Caution:

Note location of swing clear hinge centerline to determine "A" and "B" dimensions.



Screw Details	
Jamb	Door
#12-24 x 1/2" FHMS	#12-24 x 1-1/2" FHMS
or	or
#12 x 1-1/2" FHWS	#12 x 1-1/2" FHWS

INSTALLATION INSTRUCTIONS

1. Determine degree of hold open or dead stop required. Then select proper dimensions from chart on opposite side of page.

NOTE: Add 5/8" (15.8) to "A" dimension for dead stop.

**No. 5 Series Non Adjustable
Concealed Door Stops and Holders**

RIXSON

ASSA ABLOY

www.rixson.com

TEMPLATE NUMBER

OH80020A

DATE

07-16

No. 5 Series Concealed Door Stops and Holders

1. See other side for installation instructions.
2. Select proper dimensions noted below.
3. Add 5/8" to "A" dimension for dead stop.
4. All dimensions given in inches.

When Using Center Hung Pivots, Check Pivot Manufacturer's Compatibility Prior to Specifying

* Butt mounting only.
Reversible, non-handed.

Metric = decimal (numerator divided by denominator)
x 25.4.

	Device Number		Degree	85° H.O.				90° H.O.				95° H.O.				100° H.O.				105° H.O.				110° H.O.				
	H.O.	Stop	Door Opening	A	B	C	E	A	B	C	E	A	B	C	E	A	B	C	E	A	B	C	E	A	B	C	E	F
1-3/4 - 2-1/4 (44.5 - 57.2) Butts & 3/4 (19) Offset Pivot	5-126	5-136	*18 - 24	2-5/16	4-5/8	1-1/2	13-13/16	2	4-5/16	1-1/2	13-9/16	1-13/16	4-1/8	1-1/2	13-5/16	1-9/16	3-7/8	0	14-7/16	1-3/8	3-11/16	0	14-3/8	1-3/16	3-1/2	0	14-3/16	14-3/4
	5-226	5-236	24-1/16 - 30	6-1/2	5-13/16	5-1/2	15-3/16	6-3/16	5-1/2	5-1/2	14-13/16	5-13/16	5-1/8	5-1/2	14-1/2	5-1/2	4-13/16	5	14-11/16	5-1/4	4-9/16	4-3/4	14-11/16	5-1/16	4-3/8	4-1/2	14-9/16	15-7/8
	5-326	5-336	30-1/16 - 36	9-11/16	7-3/8	7-1/2	18	9-1/4	6-15/16	7	18-1/16	8-13/16	6-1/2	6-3/4	17-7/8	8-7/16	6-1/8	6	18-1/4	8-1/8	5-13/16	6	18-1/16	7-7/8	5-9/16	5-3/4	17-15/16	17-11/16
	5-426	5-436	36-1/16 - 42	13-5/16	9-1/2	9-1/2	22-1/8	12-3/4	8-15/16	9	22-1/16	12-1/4	8-7/16	8-1/2	22-1/16	11-3/4	7-15/16	8	22-1/16	11-3/8	7-9/16	7-3/4	21-15/16	11	7-3/16	7-3/8	21-15/16	20-3/16
	5-526	5-536	42-1/16 - 48	17-5/8	11-1/16	11	25-11/16	17	10-7/16	10-1/2	26-9/16	16-3/8	9-13/16	10	26-7/16	15-13/16	9-1/4	9-1/4	26-5/8	15-3/8	8-13/16	9	26-7/16	14-15/16	8-3/8	8-1/2	26-1/2	21-15/16
Center Hung	Device Number	Degree	85° H.O.				90° H.O.				95° H.O.				100° H.O.				105° H.O.				110° H.O.					
	H.O.	Stop	Door Opening	A	B	C	E	A	B	C	E	A	B	C	E	A	B	C	E	A	B	C	E	A	B	C	E	F
	-	-	-	-	-	-	-	-	-	-	-	-	-	-	-	-	-	-	-	-	-	-	-	-	-	-	-	-
	5-226	5-236	27 - 32	7	6-1/4	5	15-7/8	6-5/8	5-7/8	5	15-1/2	-	-	-	-	-	-	-	-	-	-	-	-	-	-	-	-	15-7/8
	5-326	5-336	32-1/16 - 38-1/2	10-3/16	7-7/8	8	17-7/8	9-11/16	7-3/8	7-1/2	17-7/8	9-1/4	6-15/16	7	18	8-7/8	6-9/16	6-5/8	18	8-9/16	6-1/4	6-1/4	18	8-1/4	5-15/16	6	18	17-11/16
	5-426	5-436	38-9/16 - 45	13-13/16	10	10	22	13-3/16	9-3/8	9-1/2	22	12-11/16	8-7/8	9	22	12-3/16	8-3/8	8-1/2	22	11-13/16	8	8	22	11-7/16	7-5/8	7-3/4	22	20-3/16
5-526	5-536	45-1/16 - 48	18-1/4	11-11/16	11-3/4	26-7/16	17-1/2	10-15/16	11	26-7/16	16-7/8	10-5/16	10-1/2	26-5/16	16-5/16	9-3/4	9-3/4	26-1/2	15-13/16	9-1/4	9-1/4	26-1/2	15-3/8	8-13/16	9	26-5/16	21-15/16	

No. 5 Series Non Adjustable Concealed Door Stops and Holders

RIXSON

ASSA ABLOY

www.rixson.com

TEMPLATE NUMBER

OH80020B

DATE

07-16