



For interior, non-fire rated doors that need to be automated to offer ADA-compliant accessibility

Norton®

ASSA ABLOY

Experience a safer
and more open world

5600 SERIES

LOW ENERGY POWER OPERATOR

CATALOG

INTRODUCTION

The 5600 Series Operators offer functionality and control at an affordable price. Ideal for retrofit applications, the 5600 Series converts interior, non-fire rated doors for ADA compliance easily and affordably and provides a simple way to achieve touchless environments in public restrooms. Available for push or pull mounting, this unit can be operated manually or activated by wall switches, or radio frequency devices. Easy to install, set-up and adjust, the 5600 Series is perfect for ADA-compliant offices, classrooms and dorm rooms, and touch free applications like public restrooms, labs and examination rooms.



FEATURES

- » Push or pull side mounting
- » Non-handed
- » Quiet operation
- » Electrically controlled backcheck, sweep and latch
- » Activation options: wall switches, radio frequency devices
- » Ease of installation and set-up
- » Onboard 24VDC (1.1A) power supply for accessories
- » Door closer mode for manual usage
- » Electronic motor dampening - provides feel of high performance, manual door closer
- » Electric hardware and access control interface
- » 1-year limited warranty

TABLE OF CONTENTS

Functions, Electrical Data, Certifications, Specifications	3
Standard Applications	4
Kits	5
Parts List	6
Accessories	7-10
Operational Signage	10
How to Order	12

5600 SERIES LOW ENERGY POWER OPERATOR

FUNCTIONS

- » Adjustable Hold Open
 - › Amount of time a door will stay in the full open position after an activation
- » Executive Mode Feature
 - › When door receives activation signal it opens and remains open until either a second signal is received or door is manually moved in closing direction
- » Obstruction Detection
 - › Motor stops if door is obstructed during opening; door will rest against obstruction
- » On/Off Switch
 - › Disables operator activation
- » Open Delay
 - › Delays operator opening for locking hardware
- » Overload Safety Shut-Off
 - › After 2 minutes of receiving a door activation signal, inverter times out and door closes
 - › Prevents motor/inverter damage
- » Push & Go
 - › As the door is manually opened, the operator "senses" movement and opens door to the full-open position

ELECTRICAL DATA

- » Power Input; 120 VAC, 60Hz
- » Current Draw: 0.6A
- » Relay Output: SPDT
 - › Normally open/normally closed (jumper)
 - › For electric strike function

CERTIFICATIONS

- » ANSI / BHMA A156.19 certified
- » ETL certified; conforms to ANSI/UL standard 325 for automatic closing doors
- » Comply with requirements for the Americans with Disabilities Act (A.D.A.)
- » This product is manufactured in an ISO 9001, ISO 14001 facility
- » UL certified environmental product declaration

SPECIFICATIONS

General Specifications

Operators for interior doors shall be products of one manufacturer and be matched in style. Operator (non-fire rated doors) closing force shall be adjustable to ensure adequate closing control and shall simulate conventional door closer opening and closing forces unless the power operator motor is activated or in the event of a power outage to the operator. Operators shall be non-handed and have electrically controlled backcheck, sweep, and latch with manual adjustment to set both the full open and full closed door positions. Maximum door open shall be adjustable up to 95°, pull side mounting, conditions permitting. Operators can be SELECTIVELY ACTIVATED (i.e. external wall switches, radio frequency devices). Operators shall have input line rating of 120VAC, 0.6A, and include on board relay contact for interfacing with products having a rating of 24VDC at 1A. Door operators shall include an external On/Off Switch to defeat powered opening cycle and an internal circuit breaker switch to interrupt input power for servicing. Operators shall be ETL certified and conform to ANSI/U.L. standard 325 for automatic closing doors. Door operators shall be in compliance with the requirements of the Americans with Disabilities Act (A.D.A.) and ANSI/BHMA standard A117.1.

Additional Detailed Specifications

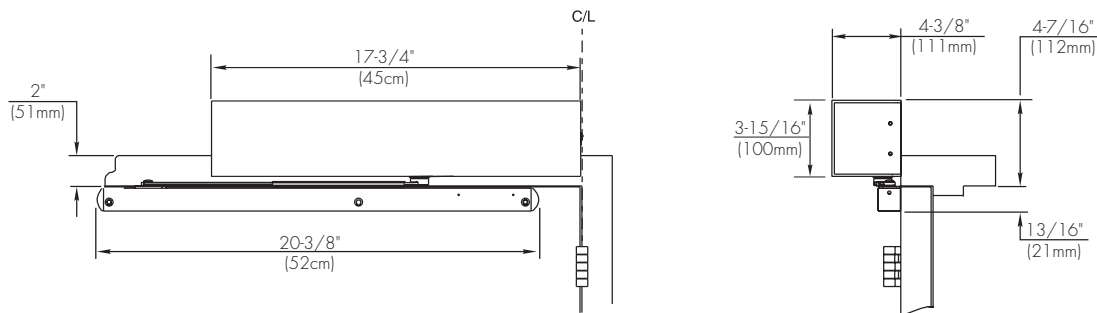
When activated, the door operator shall, by means of an integral motor, power open the door at both a speed and force adjustable to meet accessibility codes. The door shall be powered from a door closed position to a full door open position and remain in momentary hold open for 0 to 30 seconds (adjustable 0 to 30 seconds); (A.D.A. requires 5 seconds minimum hold open). Operators shall be capable of allowing the door to be opened manually from 0 to 95°, conditions permitting. Once door operator reaches full hold open position, if reinitiated, the momentary hold open time shall restart from the initially set hold open time. If door operator is initiated during the closing cycle, the operator shall revert to opening cycle beginning at that door position. Obstruction detection during opening shall neutralize and reverse motor action reverting motor to closed position allowing door to close by means of the integral motor. The obstruction detection feature shall be integral to the door operator. During closing cycle, the door operator shall close door by means of integral motor power not to exceed a closing force of 15 lbf. In the event of power loss, the door will remain in the position at the time of the power loss during the opening or the closing cycles.

STANDARD APPLICATIONS



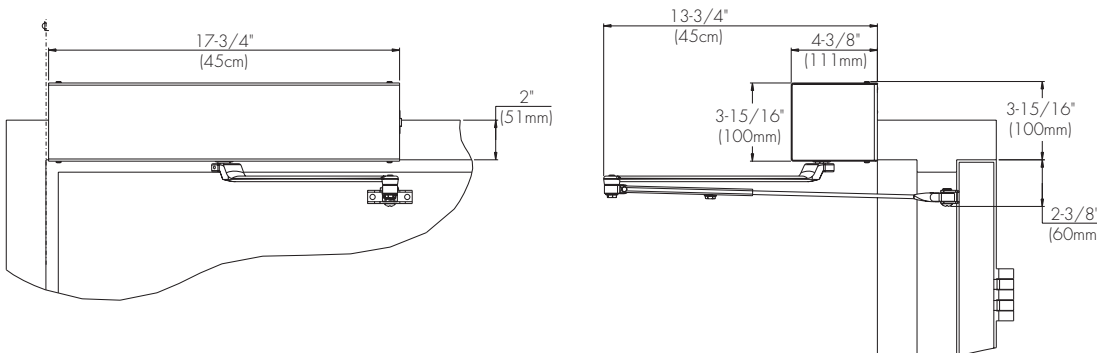
5610
HINGE (PULL) SIDE OF DOOR
» 95° swing (trim permitting)

Door width:
Minimum = 32"
Maximum = 36"
An auxiliary stop is recommended.



5630
HINGE (PUSH) SIDE OF DOOR
» 110° swing (trim permitting)

Door width:
Minimum = 32"
Maximum = 36"
An auxiliary stop is recommended.



5600 SERIES
 LOW ENERGY POWER OPERATOR

HANDS-FREE KITS



5610K1 (Pull)
5630K1 (Push)
 » Kit Includes: Operator, Cover, Push or Pull Arm,
 (1) 700 Wave-to-Open Switch



5610K2 (Pull)
5630K2 (Push)
 » Kit Includes: Operator, Cover, Push or Pull Arm,
 (2) 700 Wave-to-Open Switches



5610K1-SC (Pull)
5630K1-SC (Push)
 » Kit Includes: Operator, Cover, Push or Pull Arm,
 (1) 700 Wave-to-Open Switch, and (1) Strike
 for Cylindrical Locks

ADA KITS



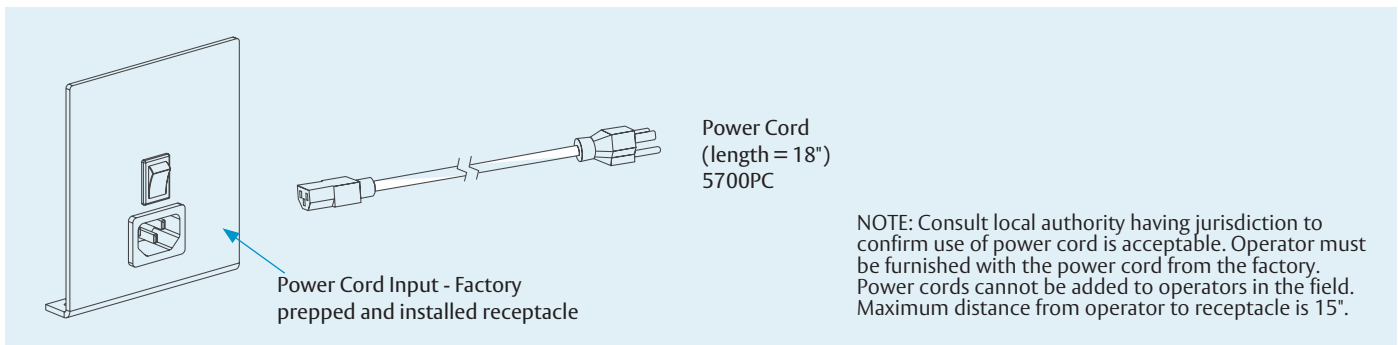
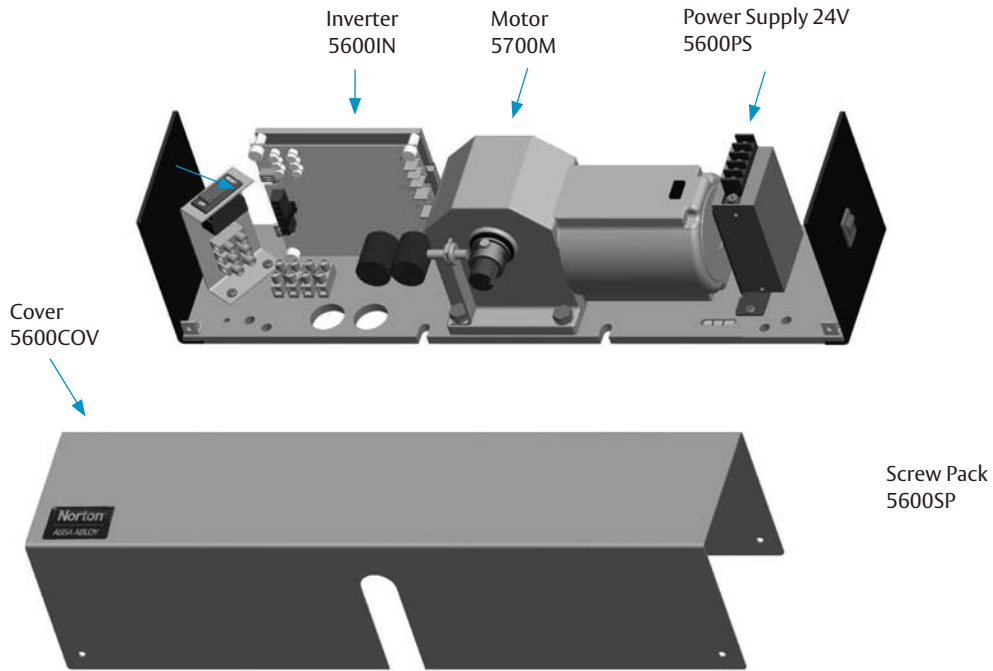
5610K3 (Pull)
5630K3 (Push)
 » Kit Includes: Operator, Cover, Push or Pull Arm,
 (2) ADA1019-2 Switches, (2) 548 Transmitters,
 and (1) 539 Receiver

EXECUTIVE KIT



5610EX (Pull)
5630EX (Push)
 » Kit Includes: Operator, Cover, Push or Pull Arm,
 and (1) 536 Transmitter

PARTS LIST



ARM ASSEMBLIES

Part #	Includes
5610M	Motor & Main Arm Assembly
5630M	Motor, Main Arm & Tube Assembly

ACCESSORIES

Activating Door Switches



501

502



671

671 and 672 switches meet new state accessibility logo requirements in NY, CA, and CT

- » 4-1/2" W. x 4-1/2" H.
- » 15 amp @ 125 VAC
- » Flush mounted
- » Fits single or 2 gang electrical box

Model	Description	Hard wired	RF (433MHz)
501	Press to Operate Door	✓	
502	Press to Open x logo	✓	
671	Press to Open x alternative logo	✓	
672	Press to Open x alternative logo		✓
542	4-1/2" surface mount box		



505

532

- » 6" W. x 6" H.
- » 9 volt battery
- » 15 amp @ 125 VAC
- » Flush mounted
- » Stainless steel with blue letters

Model	Description	Hard wired	RF (433MHz)
505	Square button: Push to Open x Logo	✓	
506	Round button: Push to Open x Logo	✓	
507	Square button: Push to Open	✓	
531	Square button: Push to Open x Logo		✓
532	Square button: Push to Open		✓
533	Round button: Push to Open x Logo		✓
534	Round button: Push to Open	✓	
535	Round button: Push to Open		✓
555	6" square surface mount box		
557	6" round surface mount box		



506

534

505, 506, 507 and 534 switches may also be installed with single or double gang electrical box using fasteners included

ACCESSORIES



700

Wave-to-Open Wall Switch

- » Single gang and double gang packaged together
- » Sensor requires movement for activation
- » Variable relay – hold time from 0 – 35 seconds
- » Range 0" to 4"
- » Dimensions:
3" W x 4-3/4" H (single);
4-1/2" W x 4-1/2" H (double)



704

Narrow Wave-to-Open Wall Switch

- » Narrow gang
- » Sensor requires movement for activation
- » Variable relay - hold time from 0-35 seconds
- » Range 0" to 4"
- » Durable stainless steel body holds up in moist environments



503

Vestibule Switches

- » 1-1/2" x 4-3/4" face plate
- » SPDT UL listed switch-mom.
- » 15 amp @ 125 VAC
- » Fits 1-3/4" frame
- » Stainless steel with blue letters



504

- » 5" W. x 4-3/4" H.
- » 2 – SPDT UL listed switches-mom.
- » 15 amp @ 125 VAC
- » Fits 2-gang electrical box
- » Stainless steel with blue letters

Note:

- » All hard wired switches are Momentary Contact SPDT, UL Listed.
- » Optional DPDT switches are available; suffix "D" to model number.

5600 SERIES
LOW ENERGY POWER OPERATOR

ACCESSORIES



539

Radio Frequency Receiver

- » 433 MHz



536

538

Transmitters

- » 2-3/8"w x 4-3/16"h x 15/16"d
- » 536: single channel
- » 538: two channel



548

- » Converts existing hard wired push plates to work with RF receivers offered after June 2013
- » Single channel
- » 9 volt battery included

PUSH BUTTON KITS



565

Kits

Includes:

- » (2) ADA1019-2 wall switches
- » (2) 548 transmitters (with 9 volt batteries)
- » (1) 539 receiver



564

Includes:

- » (1) ADA1019-2 wall switch
- » (1) 548 transmitter (with 9 volt battery)
- » (1) 539 receiver

OPERATIONAL SIGNAGE

679 Signage Kit (supplied standard)



(1 per switch)



(1 per switch)



(2 per operator)

5600 SERIES
LOW ENERGY POWER OPERATOR

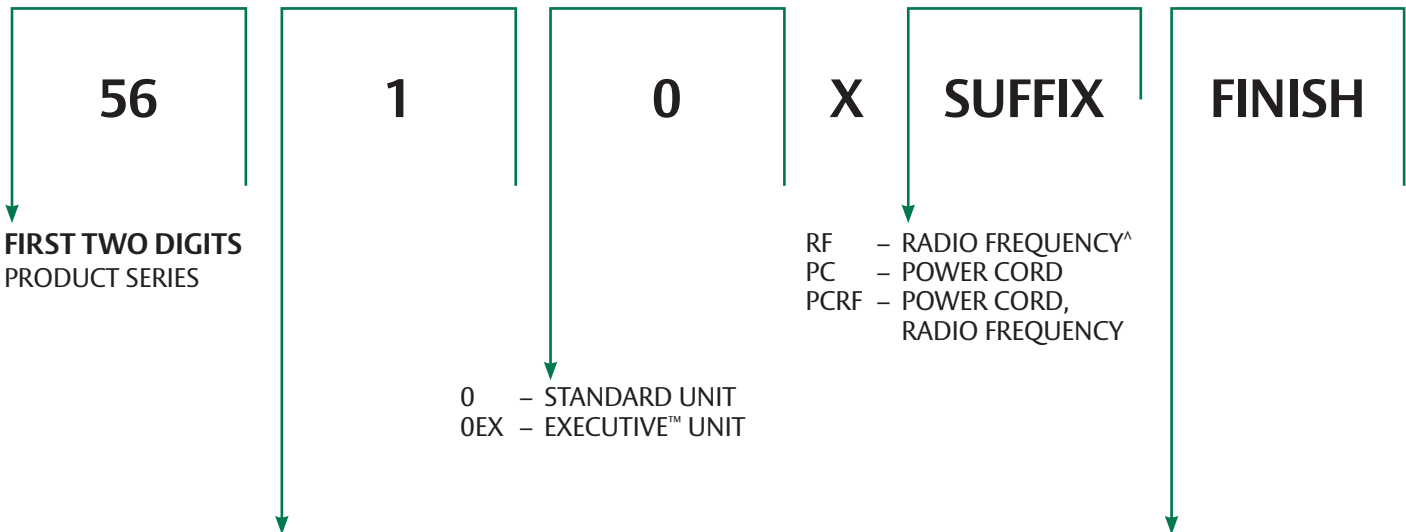
Norton®

ASSA ABLOY



HOW TO ORDER

Note: All transmitters (door switches or key fob) must be ordered separately.



56
FIRST TWO DIGITS
PRODUCT SERIES

1

THIRD DIGIT
Identifies Type of Application

HINGE (PULL) SIDE OF DOOR*
1 – Rigid Arm & Slide Track
Max reveal 1/8" (3mm) up to 95° door swing

STOP (PUSH) SIDE OF DOOR
3 – Double Lever Arm
Minimum reveal: 1-1/4" (32mm)
Maximum reveal: 5" (127mm)

^ Actuators not supplied with RF.
Note: For Kits see page 5.

0

0 – STANDARD UNIT
0EX – EXECUTIVE™ UNIT

X

SUFFIX
RF – RADIO FREQUENCY^
PC – POWER CORD
PCRF – POWER CORD,
RADIO FREQUENCY

FINISH

FINISHES
Product will be sprayed with a combination of waterborne acrylic and polyester powder coat.

Description	Specify Norton Designation (BHMA)	Complements the following finishes	Old Designation
Aluminum	689	628, 625, 629, 630, 651	AL
Statuary Bronze	690	640, 613	STAT
Black Suede Powder	BSP	—	—
White Suede Powder	WSP	—	—

The ASSA ABLOY Group is the global leader in access solutions. Every day, we help billions of people experience a more open world.

ASSA ABLOY Opening Solutions leads the development within door openings and products for access solutions in homes, businesses and institutions. Our offering includes doors, frames, door and window hardware, locks, perimeter fencing, access control and service.

Since 1880, Norton door controls have been an integral part of schools, hospitals and businesses around the globe. When you need products and people that perform at the highest level, rely on Norton – From Open to Close.

Norton Door Controls | www.nortondoorcontrols.com
3000 Highway 74 East | Monroe, NC 28112 | 1.877.974.2255

ASSA ABLOY Opening Solutions
Door Security Solutions Canada | www.assaabloy.ca
160 Four Valley Drive | Vaughan, ON L4K 4T9 | 800.461.3007