

# FALCON®

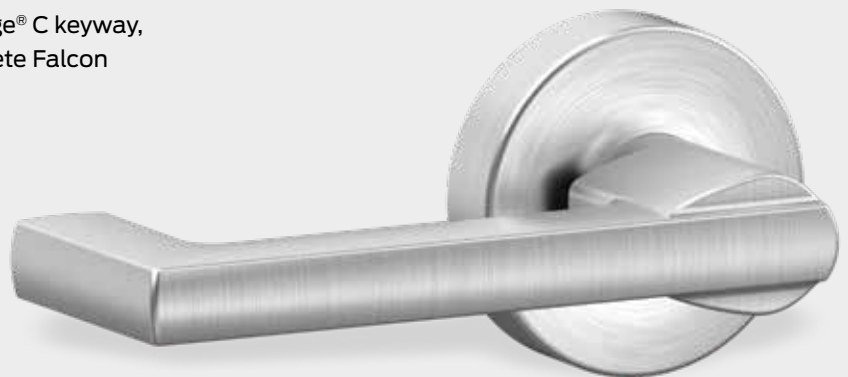
## W Series

Medium duty, Grade 2 cylindrical  
lever and knob locks

### Overview

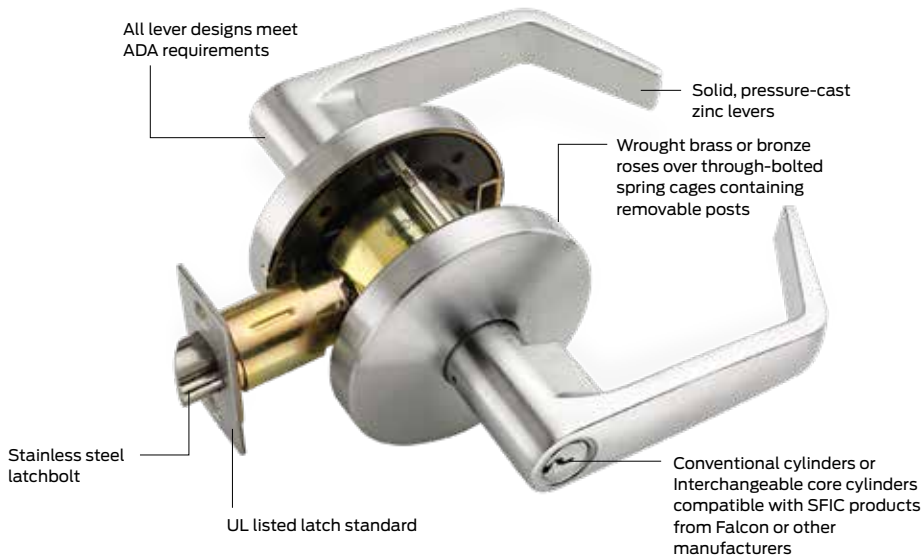
Falcon is dedicated to providing a solid product at a solid price no matter the application. When an affordable lock is needed for lower traffic doorways in retail, industrial or multi-family applications, the W Series lock fits perfectly. With seven lever styles and two knob styles as well as two popular rose diameters (large and small), Falcon can match most commercial door trim.

The Falcon W Series locks feature conventional cylinders and small format interchangeable cores that are compatible with SFIC products from other manufacturers. Our conventional cylinders are available in all Falcon conventional key sections, as well as Schlage® C keyway, which we now masterkey across the complete Falcon product line.



# W Series

Medium-duty, Grade 2 cylindrical lever and knob locks

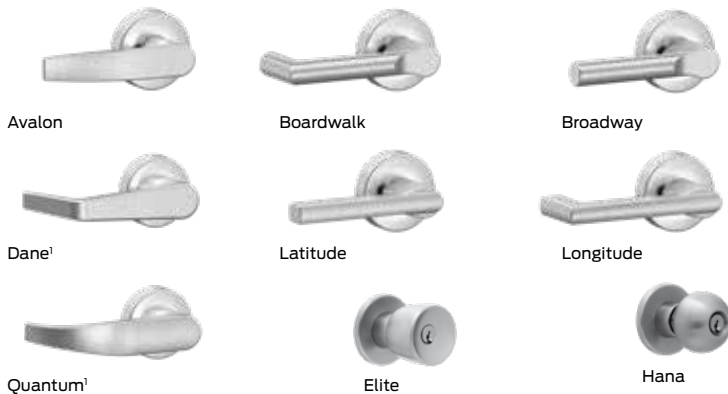


The Falcon W Series is a solid product that offers versatility at a solid price.

- Reliable and proven Grade 2 construction
- Heavy duty coil springs for better lever return and to prevent sagging
- 11 commercial lever functions and 9 commercial knob functions. (for a complete list please see the price book)
- Non-handed for easy field assembly
- Abrasive lever coating option available
- Priced to meet your budget
- Schlage C available
- Manufactured to Allegion's industry-leading quality standards

## Lever and knob styles

Can be suited with a variety of Falcon locks and exit device trim. Levers also suite with Schlage residential lever designs, making the Falcon W Series perfect for multi-family applications.



## Available finishes



<sup>1</sup> Available with abrasive strip along lever to meet ADA requirements

<sup>2</sup> Available for lever options only

<sup>3</sup> Finish not available with small rose diameter

## Rose diameters

The Falcon W comes in different rose diameters to meet your customer needs. In addition to the 3 3/8" diameter, a smaller 2 9/16" diameter is available to meet narrow stile door requirements.



## About Allegion

Allegion (NYSE: ALLE) is a global pioneer in safety and security, with leading brands like CISA®, Interflex®, LCN®, Schlage®, SimonsVoss® and Von Duprin®. Focusing on security around the door and adjacent areas, Allegion produces a range of solutions for homes, businesses, schools and other institutions. Allegion is a \$2 billion company, with products sold in almost 130 countries. For more, visit [www.allegion.com](http://www.allegion.com).

