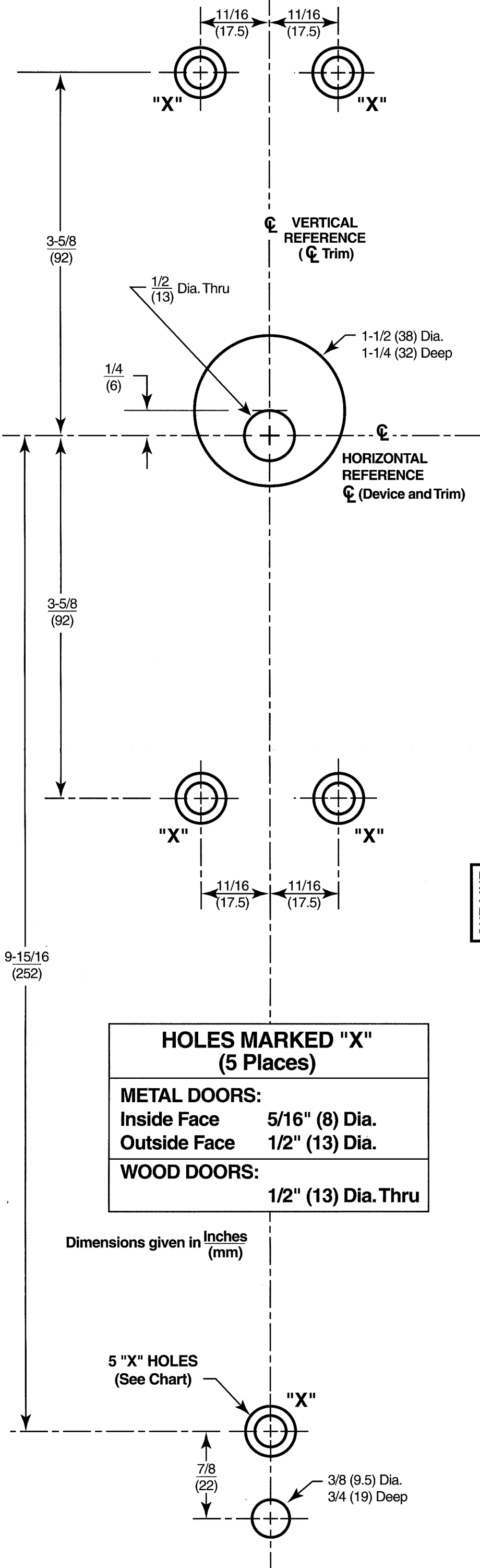


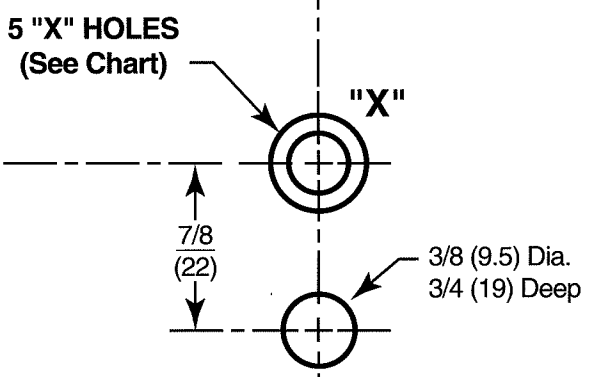
# OUTSIDE DOOR FACE

# TRIM TEMPLATE



HOLES MARKED "X" (5 Places)	
<b>METAL DOORS:</b>	
Inside Face	5/16" (8) Dia.
Outside Face	1/2" (13) Dia.
<b>WOOD DOORS:</b>	
	1/2" (13) Dia. Thru

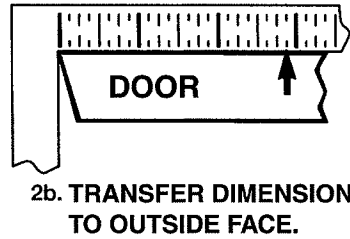
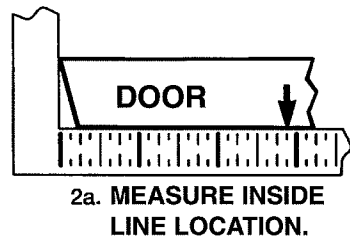
Dimensions given in **Inches (mm)**



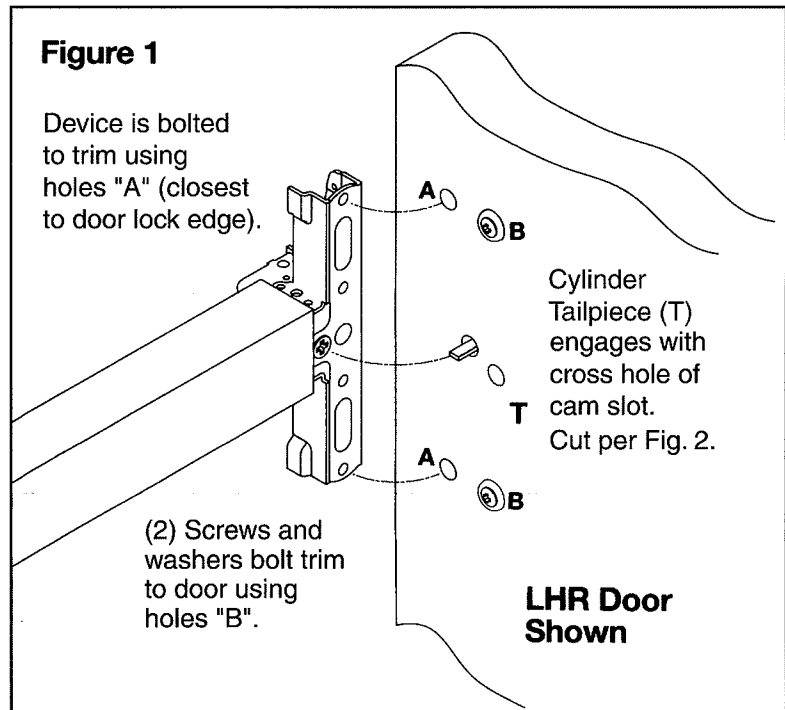
## Installation Instructions

1. Assemble trim. See other side for components and instructions.
2. After marking door inside face for device location (Device Instructions), transfer "Vertical Reference Centerline" from inside to outside door face. Follow steps 2a. and 2b. below.
  - 2a. MEASURE INSIDE LINE LOCATION.
  - 2b. TRANSFER DIMENSION TO OUTSIDE FACE.
3. Transfer "Horizontal Reference Centerline" from inside to outside door face.
4. Align trim template and tape to outside door face.
 

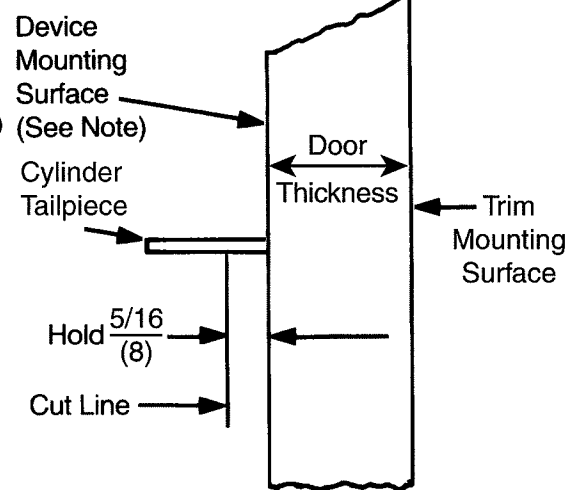
**CAUTION:** Office copiers and facsimile machines may change the size of a drawing and make the template inaccurate to use as a door marker. If this is not the original template packed with the trim, use only the dimensions written on the template to locate the holes on the door (do not use the template as a door marker).
5. Spot holes and prepare door for trim.
6. Mount trim to door thru holes "B". Fasten, finger tight only, with 3 screws and washers seating on door, as shown in Figure 1. Bottom screw and washer engages lower post on pull.
7. Cut cylinder tailpiece as shown in Figure 2.
8. Seat device so that cylinder tailpiece engages cam slot, as shown in Figure 1. Continue as shown in device instructions.



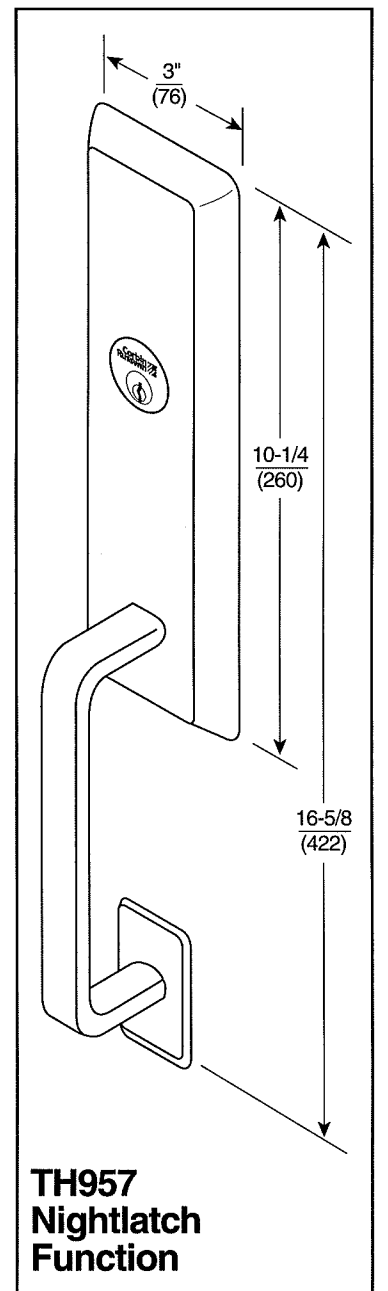
3. Transfer "Horizontal Reference Centerline" from inside to outside door face.



**Figure 2**



**NOTE:** Measure from device mounting surface (door face or shim surface).



**TH957 Heavy Duty Thumbpiece Trim Installation Instructions**  
For use with ED5000 Series Exit Device (Metal, Wood or Composite Doors)

**TH957 Nightlatch Function**

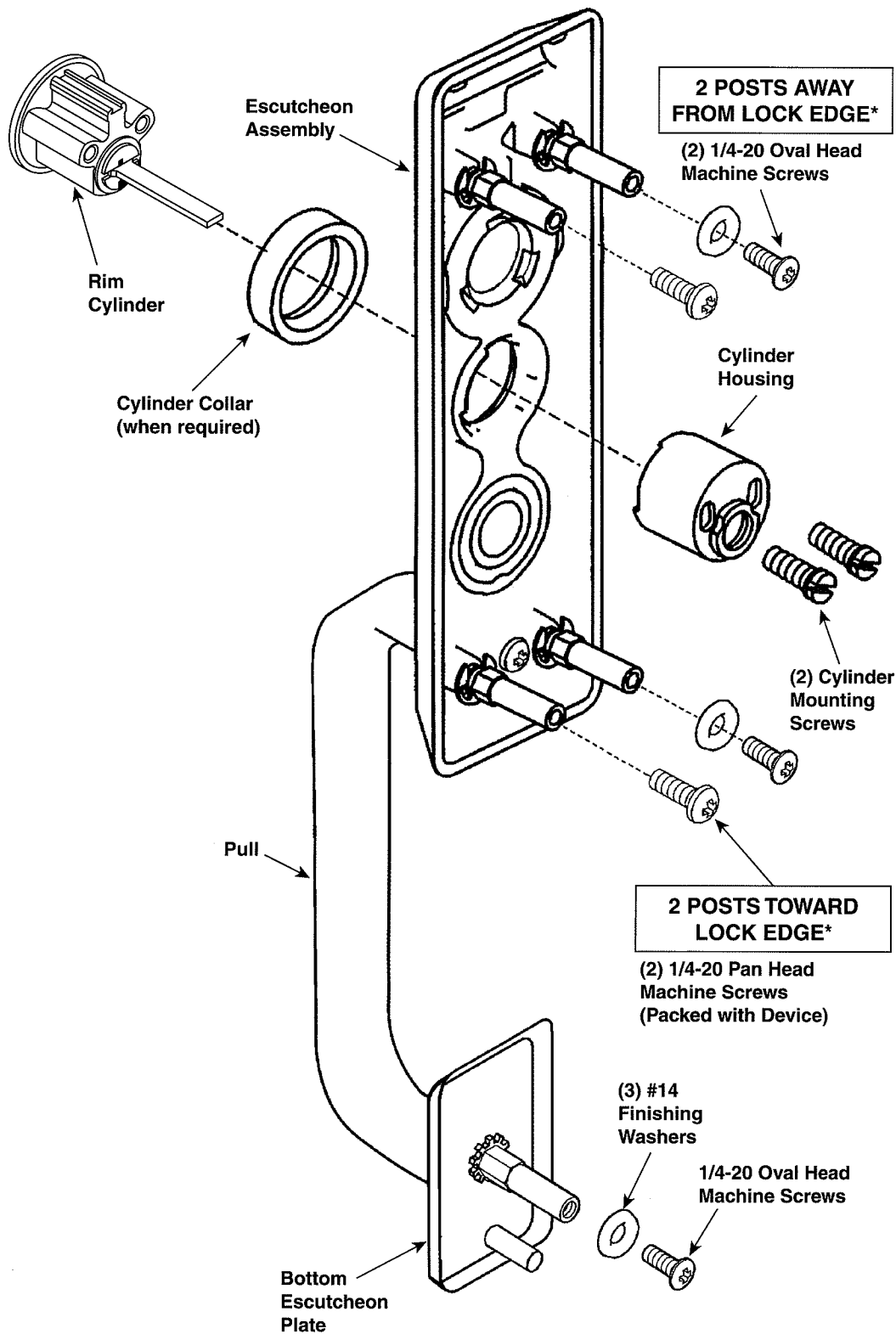
# Trim Assembly Instructions

## 1. Check cylinder components.

**NOTE:** Cylinders longer than 1-1/8" (29) will require collars.  
Refer to Corbin Russwin cylinder collar chart.

## 2. Assemble cylinder.

Insert cylinder housing prongs into matching notches of escutcheon.  
Pass cylinder tailpiece thru cylinder collar (when required) and hole in cylinder housing. Fasten cylinder using (2) mounting screws.  
**DO NOT OVERTIGHTEN SCREWS.**



\*Shown for LHR Door

Corbin Russwin Cylinder Collar Chart	
Cylinder Length	Collar
1-1/8" (29)	None
1-1/4" (32)	654F07**
1-1/2" (38)	654F08**

\*\* Specify Finish

**Corbin  
Russwin**

In U.S.: Corbin Russwin, Inc.  
225 Episcopal Road  
Berlin, CT 06037-4004  
www.corbinrusswin.com

**Technical Product Support:**  
Phone: 888-607-5703  
Fax: 800-659-7293

In Canada: Yale-Corbin Canada LTD  
6940 Edwards Boulevard  
Mississauga, ONT, L5T 2W2  
www.yalecorbin.on.ca

**TH957**  
**Heavy Duty Thumbpiece Trim**  
**Installation Instructions**  
For use with ED5000 Series Exit Device  
(Metal, Wood or Composite Doors)