



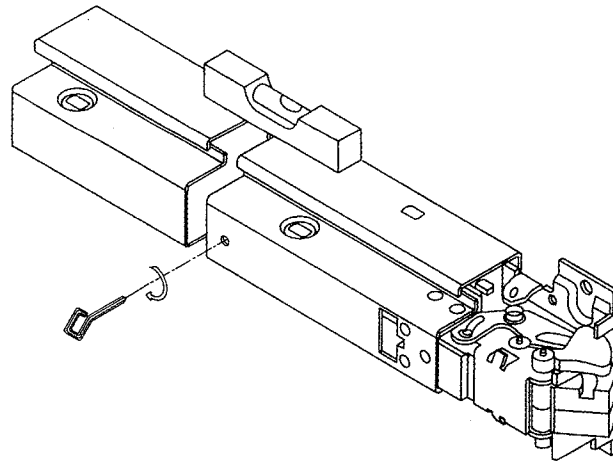
ASSA ABLOY

ED8200 SERIES - PANIC LISTED and ED8200B SERIES - 1 1/2 HOUR FIRE RATED PUSHBAR EXIT DEVICE

Installation Instructions FM 17E 2/10 (617341255)

STEP	TABLE OF CONTENTS	PAGE
	GENERAL INFORMATION.....	1
	FASTENER CHART.....	2
1	MARK HORIZONTAL CENTERLINE OF DEVICE.....	2
2	INSTALL TRIM.....	2
3	CUT PUSHBAR.....	2
4	MOUNT EXIT DEVICE.....	3
5	INSTALL STRIKE.....	4
6	INSTALL FRONT BAR INSERT, REAR & FRONT COVERS.....	4
7	TEST PUSHBAR.....	4

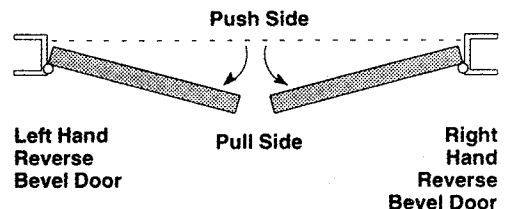
Dogging 8200 ONLY
Feature to hold bolts retracted and touchpad depressed, for push-pull door operation.
<p style="text-align: center;">To Dog Device</p> <ol style="list-style-type: none"> 1. Insert dogging key. 2. Hold touchbar depressed. 3. Turn key 1/4 turn clockwise.
Not A Feature of Fire Rated Devices



IMPORTANT:

- Failure to follow these instructions could affect operation of this product and void warranty.
- Some trim designs are handed when used with this device (see trim instructions).
- Exit devices must be securely fastened to properly reinforced doors with fasteners which will not loosen or pull out. Add reinforcement when necessary.
- **Before Installing:** Be sure exit device is the proper hand for your door.
- Use enclosed template to assure proper operation.

How to Determine Hand of Door



FASTENER CHART

	Fasteners		
	ED8200	ED8200B	
Latch Assembly	2	2	#12-24 x 3/4" phillips pan head machine screws, and #12 internal Washers (Wood doors #12 x 1 1/4" phillips pan head, type A, tapping screws)
Rear Bracket	2	2	#12-24 x 3/4" phillips pan head machine screws, and #12 internal Washers (Wood doors #12 x 1 1/4" phillips pan head, type A, tapping screws)
Strike	2	2	#12-24 x 3/4" phillips pan head machine screws with 2 # 12 external washers (Wood doors #12 x 1 1/4" phillips pan head, type A, tapping screws).
Front Bar insert	1	1	#8-32 X 1" phillips pan head machine screw
Rear Cover	1	1	#8-32 X 1" phillips flat head machine screw with external washers
Front Cover	2	2	#8-32 X 1/2" phillips flat head machine screw, type F, with external washers
Non-Reinforced Door		4	#12-24 x 1 21/32 Sex Nuts
Dogging Wrench	1	N/A	3/16" Hex

1. Mark Horizontal Centerline of Device

Establish centerline of device by drawing line across door and stop, 40⁵/₁₆" (1.02 m) above finished floor unless doors have been pre-prepped (See Figure 1).

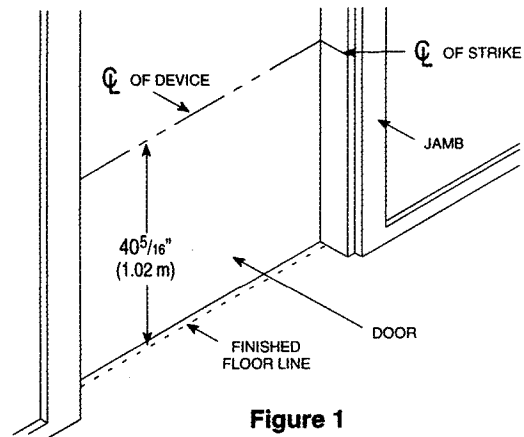


Figure 1

2. Install Trim (If Furnished)

See separate trim installation instructions.

3. Cut Pushbar (If Required)

NOTE: If bar does not require cutting, proceed to step 4.

- A. Installation of device depends on trim: Note 3/4" (19 mm) minimum restriction (See Figure 2).
- B. Measure and mark bar as shown (See Figure 3).
- C. Fully depress bar and cut off square on mark. (See Figure 4).

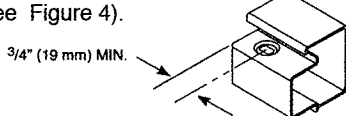


Figure 2

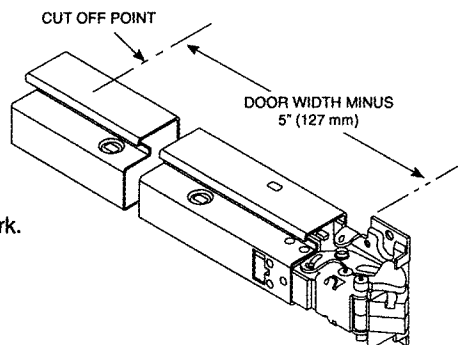


Figure 3

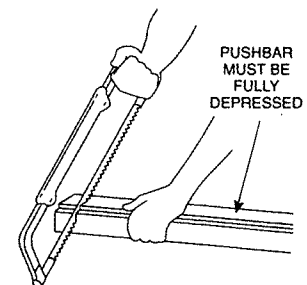


Figure 4

4. Mount ED8200 & ED8200B EXIT DEVICE

A. Installation of device depends on trim:

For throughbolted trim in 2 1/8" prep, install device with two fillister head screws (packed with trim) in latch assembly holes marked **D** (See Figure 5).

For all other applications, install device with two pan head machine screws, two internal tooth lock washers and two sex nuts in latch assembly holes marked **C**.

B1. FOR REINFORCED METAL DOORS

Use level as shown to ensure device is level. Use rear bracket to spot, drill and tap two #12-24 rear bracket mounting holes. Attach rear bracket to door using two pan head machine screws and two lock washers.

B2. FOR ALL OTHER DOOR TYPES

Use level as shown to ensure device is level. Use rear bracket to spot and drill 1/4" (6 mm) holes through door. Enlarge holes to 3/8" (10 mm) from opposite side of door to clear for sex nuts and bolts. Attach rear bracket and backing plate to door using two pan head machine screws, two lock washers and two sex nuts.

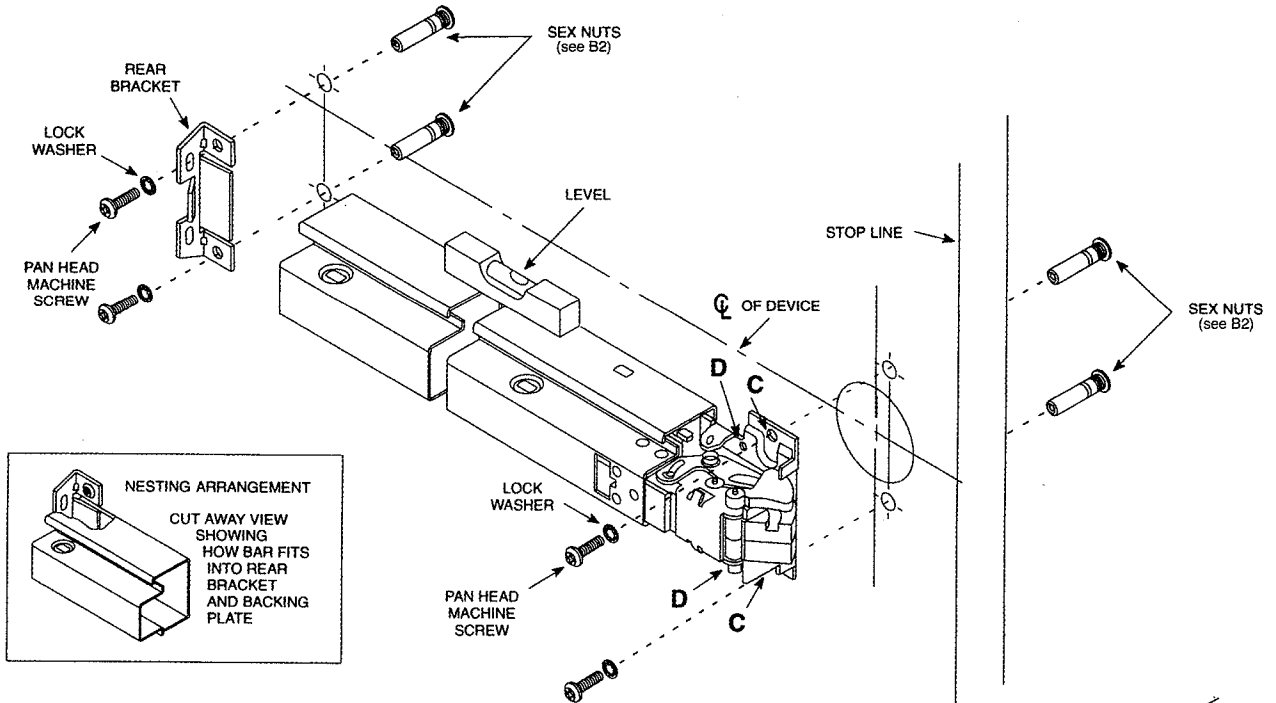


Figure 5

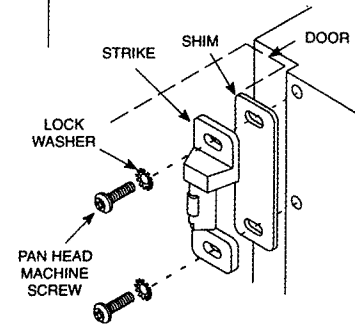


Figure 10

5. Install Strike

Install strike using two pan head screws and two external tooth lock washers (See Figure 6). Adjust strike. Strike is properly adjusted when latch is able to fully project when door is closed. Tighten all screws.

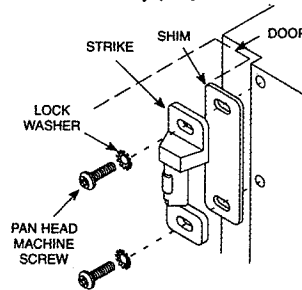
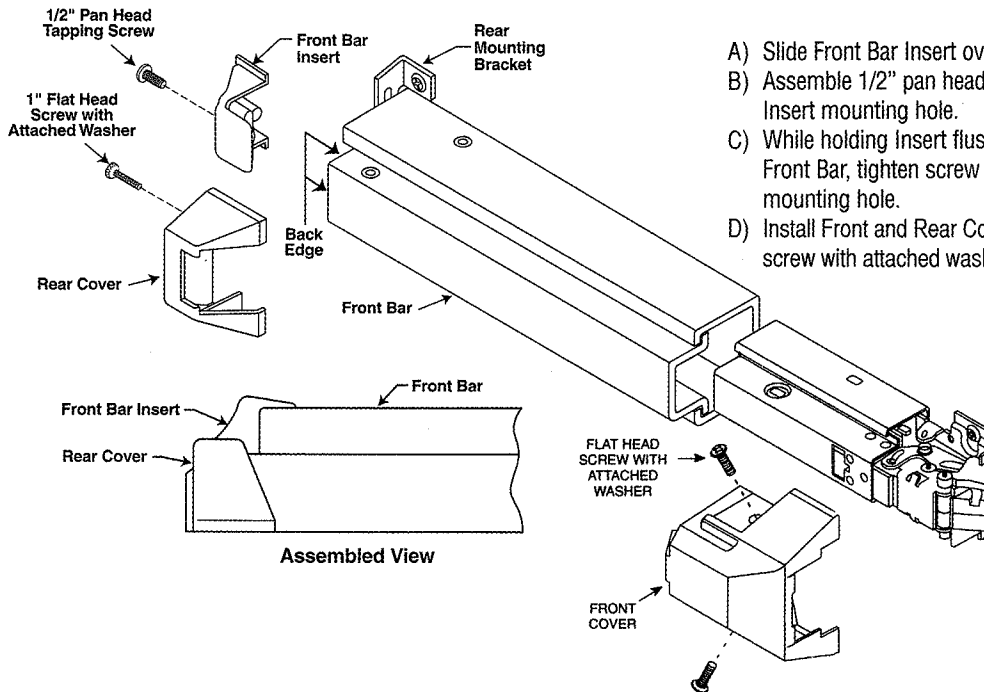


Figure 6

6. Install Front Bar Insert, Rear & Front Covers



- A) Slide Front Bar Insert over end of Front Bar.
- B) Assemble 1/2" pan head tapping screw through Insert mounting hole.
- C) While holding Insert flush against back edge of Front Bar, tighten screw to bottom of recessed mounting hole.
- D) Install Front and Rear Cover using 1" flat head screw with attached washer.

7. Test Pushbar

Latchbolt is retracted by pushbar inside. If latchbolt does not operate properly or does not remain secure, inspect all mounting dimensions outlined in steps 3, 4 and 5.

Technical Product Support:
Telephone: 888-607-5703
Fax: 860-828-7277

In U.S.: Corbin Russwin, Inc.
225 Episcopal Road
Berlin, CT 06037-4004
www.corbinrusswin.com

In Canada: ASSA ABLOY
Door Security Solutions Canada
160 Four Valley Drive
Vaughan, ON, L4K 4T9
www.assaabloy.ca

ASSA ABLOY is the global leader in door opening solutions, dedicated to satisfying end-user needs for security, safety and convenience.