

Installation Instructions

DL4100 Series Ergonomic Thumbturn FM 344 4/11

**Corbin
Russwin**

ASSA ABLOY

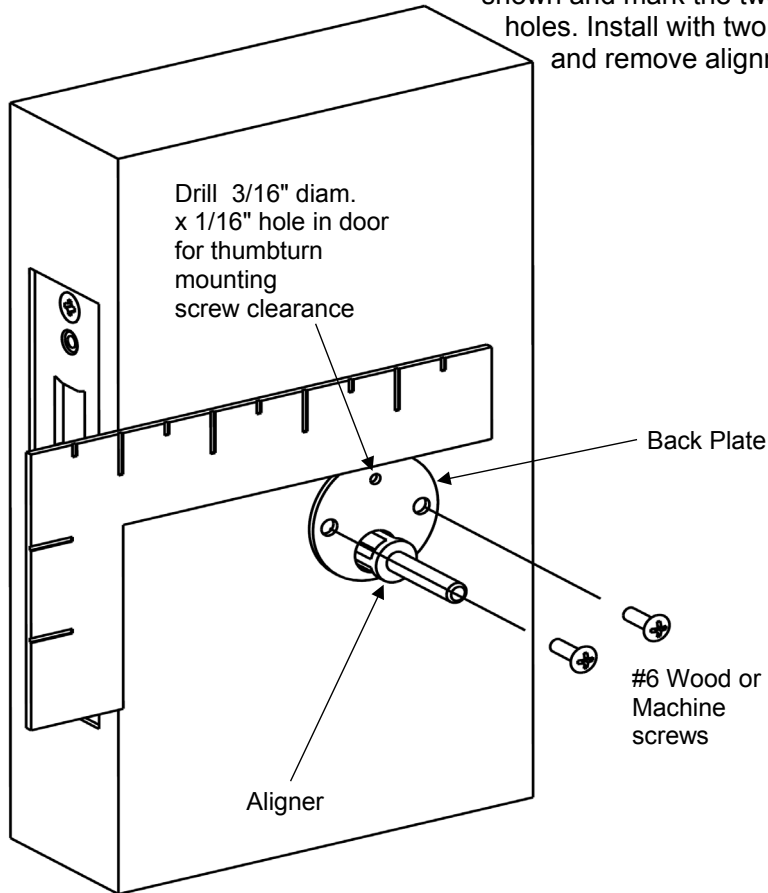
In U.S.:
Corbin Russwin, Inc.
225 Episcopal Road
Berlin, CT 06037 USA
Phone: 800-543-3658

In Canada:
ASSA ABLOY Door Security Solutions Canada
160 Four Valley Drive
Vaughan, Ontario, Canada L4K 4T9
Phone: 800-461-3007

Technical Product Support: Phone: 888-607-5703

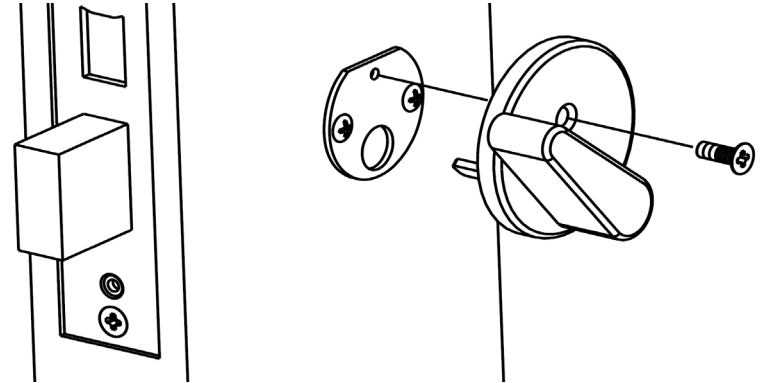
1

After installing the lockbody, insert the alignment tool into the lock and slide the back plate over the aligner. Using a carpenter's square, position the plate as shown and mark the two screw holes. Install with two #6 screws and remove alignment tool.

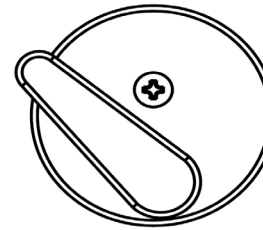


2

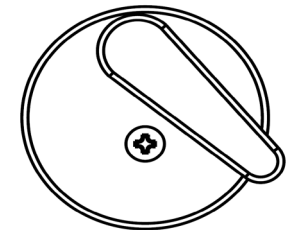
Insert thumbturn into lock and extend deadbolt. For 4122 and 4117 functions, project deadbolt with cylinder prior to installing thumbturn. Attach using #6-32 x 5/16" machine screw provided



NOTE: FOR 4122 FUNCTION, BACK PLATE AND THUMBTURN ASSEMBLY MUST BE INVERTED.



4113, 4117, 4160
FUNCTIONS



4122
FUNCTION