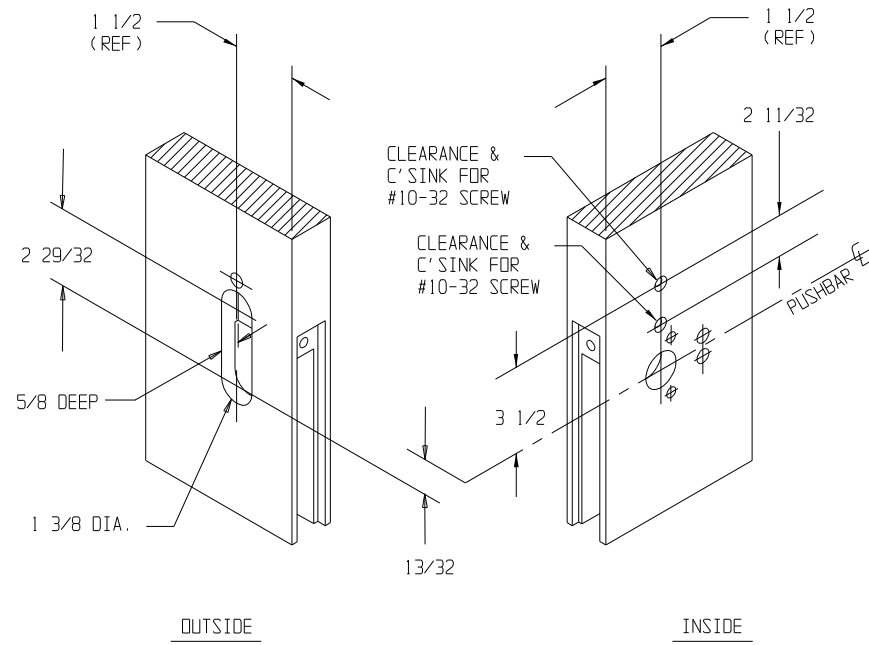


8300 MORTISE EXIT DEVICE

(SHOWN FOR LHR - RHR MIRROR IMAGE)



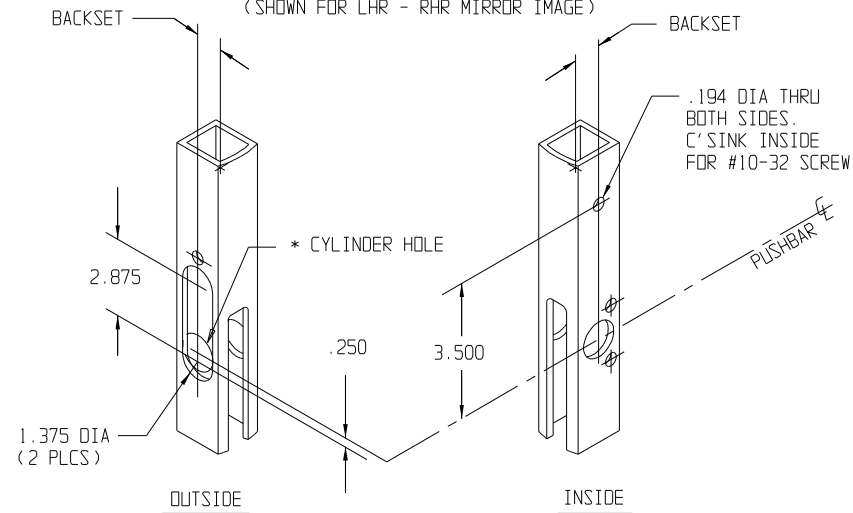
SEE 8300 TEMPLATE FOR PREP DIMS.

PREPARE THE LEAD RAIL AS ILLUSTRATED BELOW. IT IS IMPORTANT THAT THE PREPARATION FOR THE ENTRY FUNCTION BE LOCATED AS ACCURATELY AS POSSIBLE IN RELATION TO THE INTERIOR PREPARATION. FOR THE 8300, 8400 AND 8600, THE ENTRY FUNCTION IS INSTALLED AFTER THE OTHER HARDWARE IS IN PLACE. FOR THE 8100, 8200, 8700 AND 8800, INSTALL THE ENTRY FUNCTION FIRST AND THEN THE BAR.

* MAY BE PRESENT ON "OLD" INSTALLATION

8400 MORTISE EXIT DEVICE

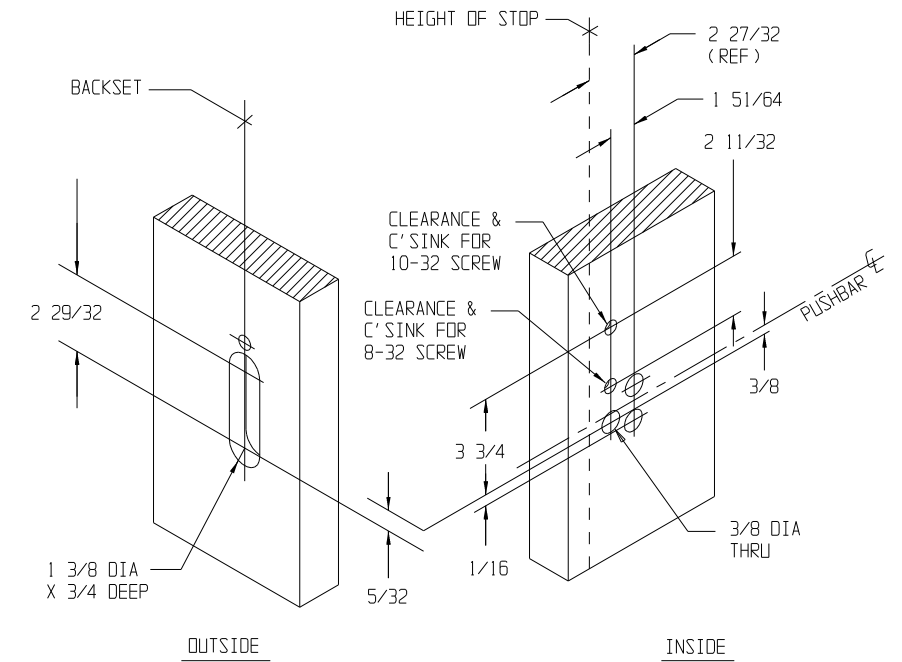
(SHOWN FOR LHR - RHR MIRROR IMAGE)



SEE 8400 TEMPLATE FOR PREP DIMS.

8700 RIM EXIT DEVICE

(SHOWN FOR LHR - RHR MIRROR IMAGE)

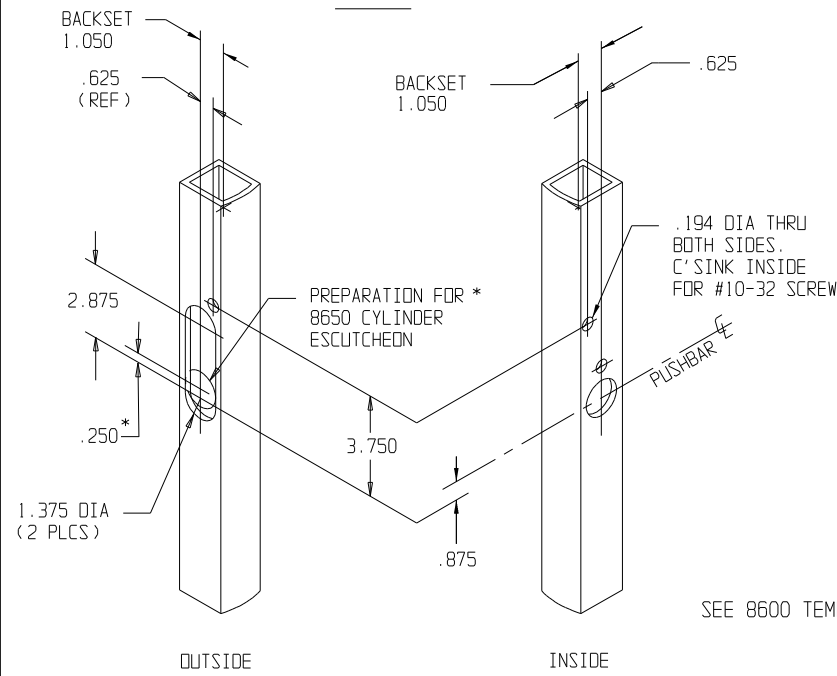


SEE 8700 TEMPLATE FOR PREP DIMS.

PRODUCT MUST BE INSTALLED ACCORDING TO ALL APPLICABLE BUILDING AND LIFE SAFETY CODES

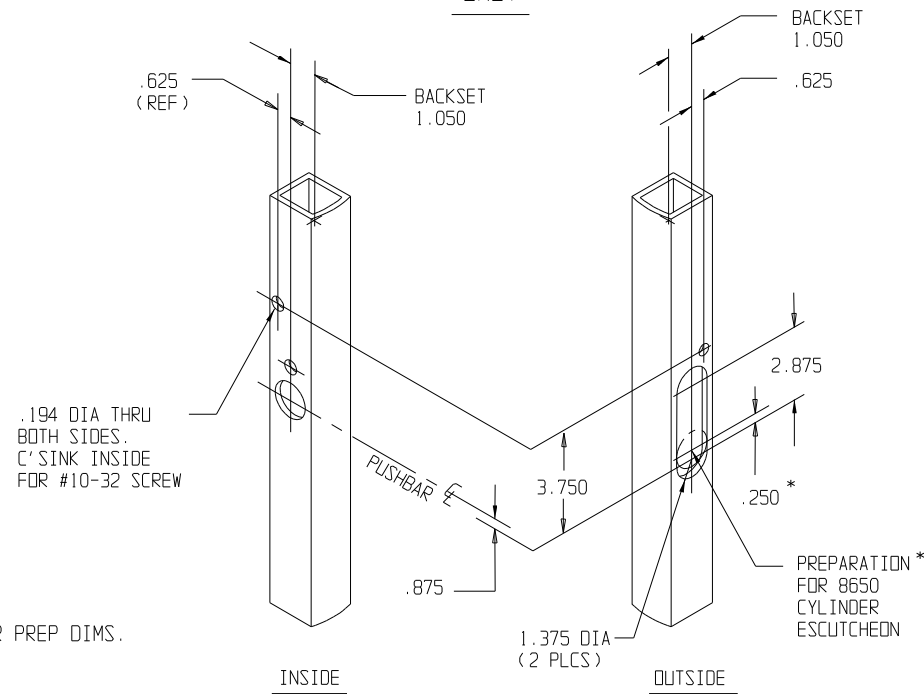
8600 CONCEALED VERTICAL ROD

LHR ONLY



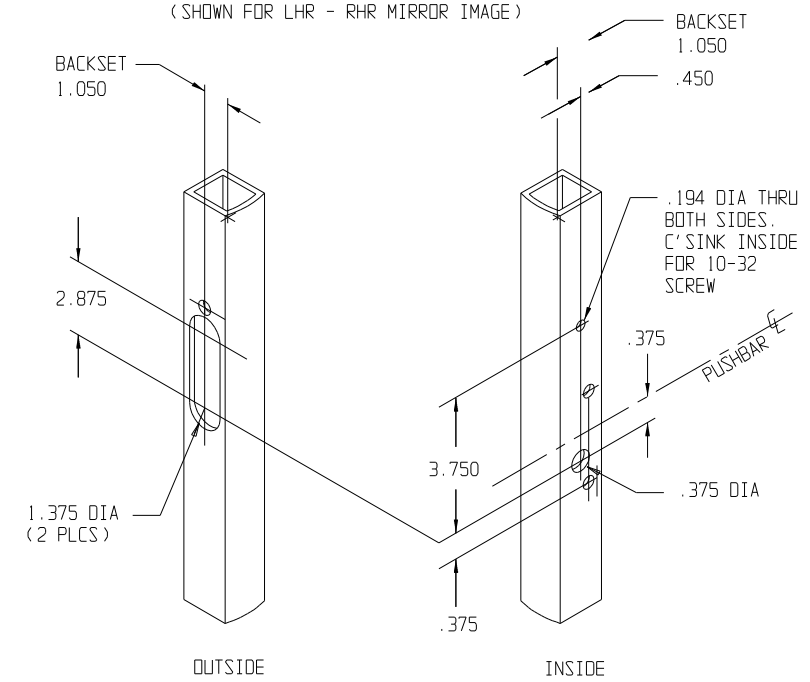
SEE 8600 TEMPLATE FOR PREP DIMS.

RHR ONLY



8800 RIM EXIT DEVICE

(SHOWN FOR LHR - RHR MIRROR IMAGE)



SEE 8800 TEMPLATE FOR PREP DIMS.



www.adamsrite.com
Phone: 800-626-7590
800-872-3267
Fax: 866-582-4641
800-232-7329

80-0180-30

8066 ENTRY FUNCTION

Rev. F

Ecn 11955B

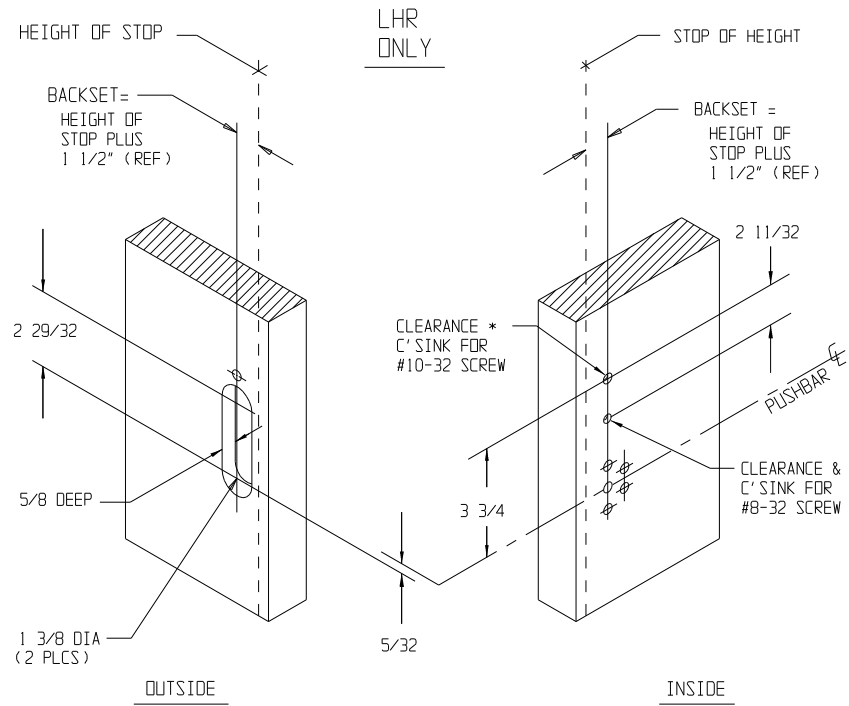
Date: 06/28/12

Page 1 of 2

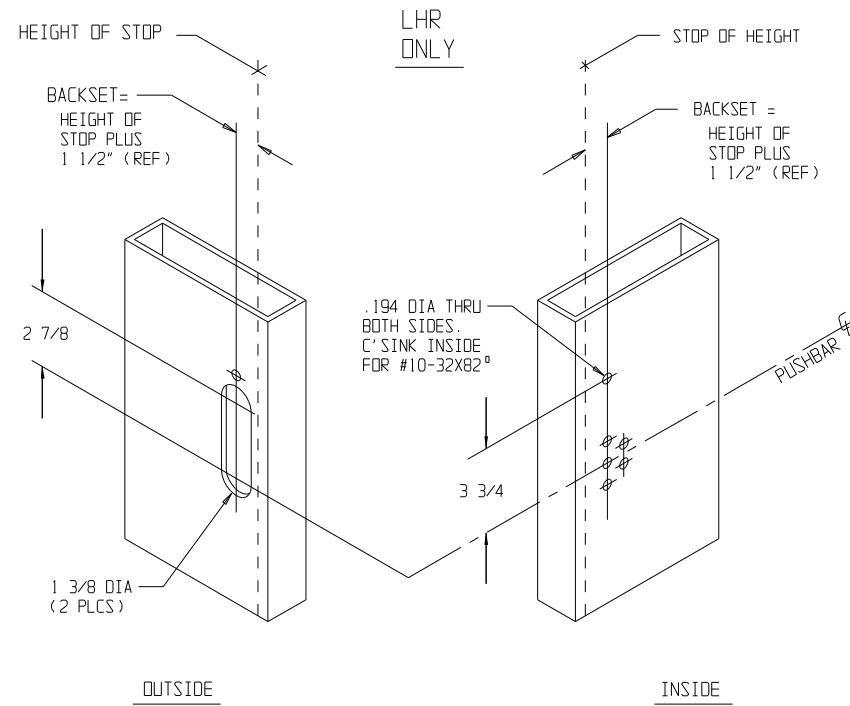
Appvd: MP

Date: 07/06/12

8100 SURFACE VERTICAL ROD EXIT DEVICE

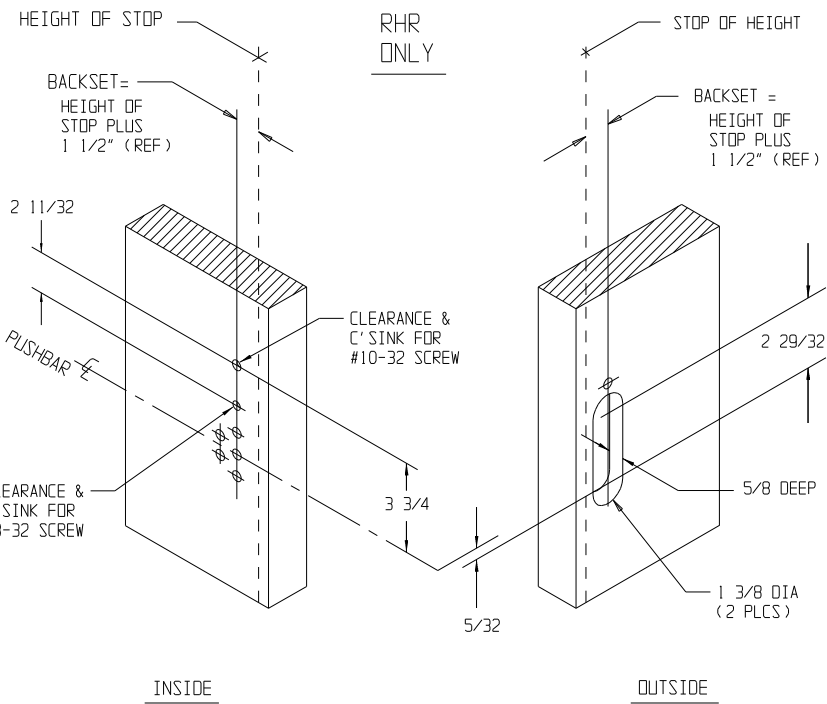
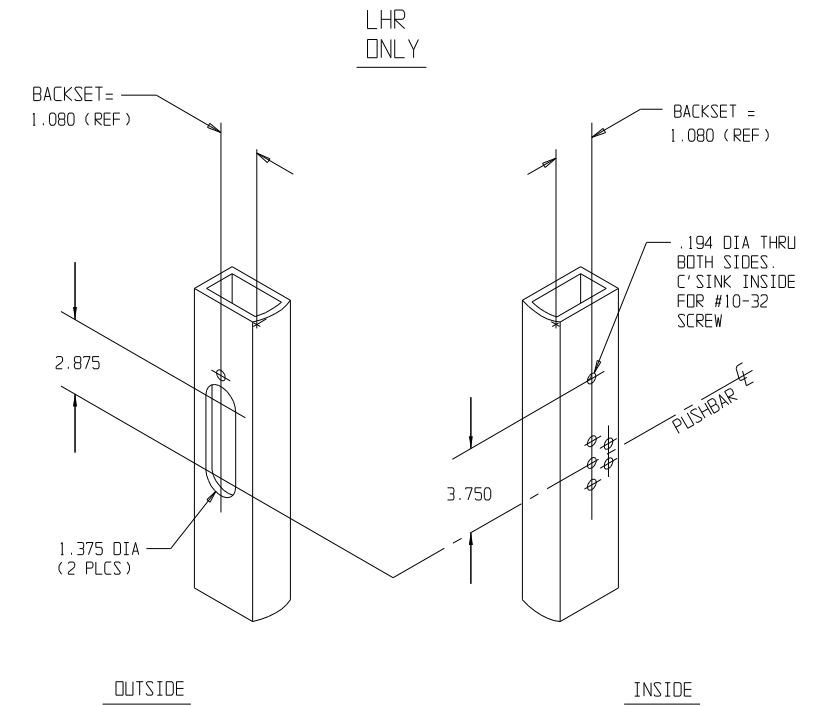


8100 SURFACE VERTICAL ROD EXIT DEVICE

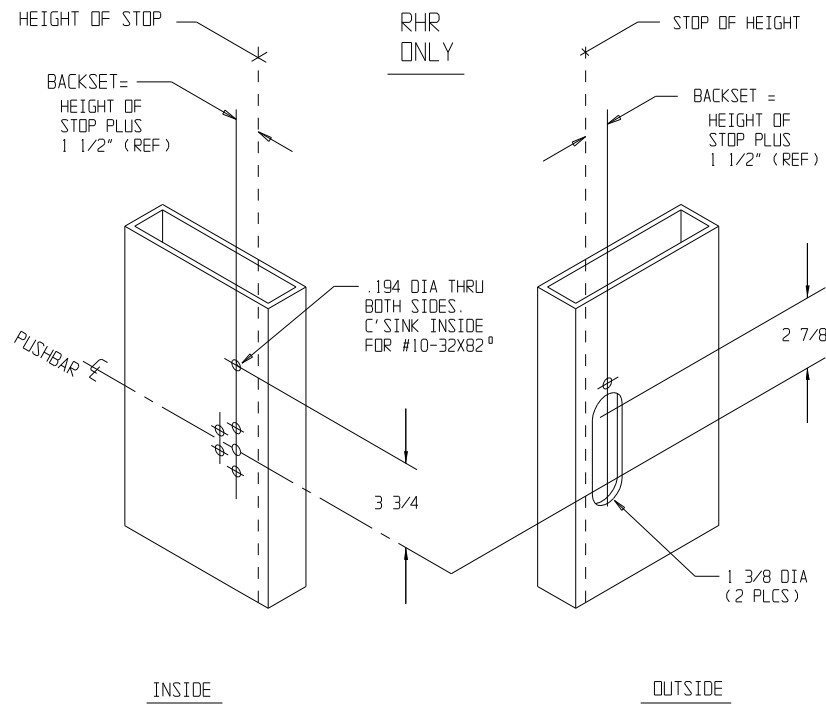


PRODUCT MUST BE INSTALLED ACCORDING TO ALL APPLICABLE BUILDING AND LIFE SAFETY CODES

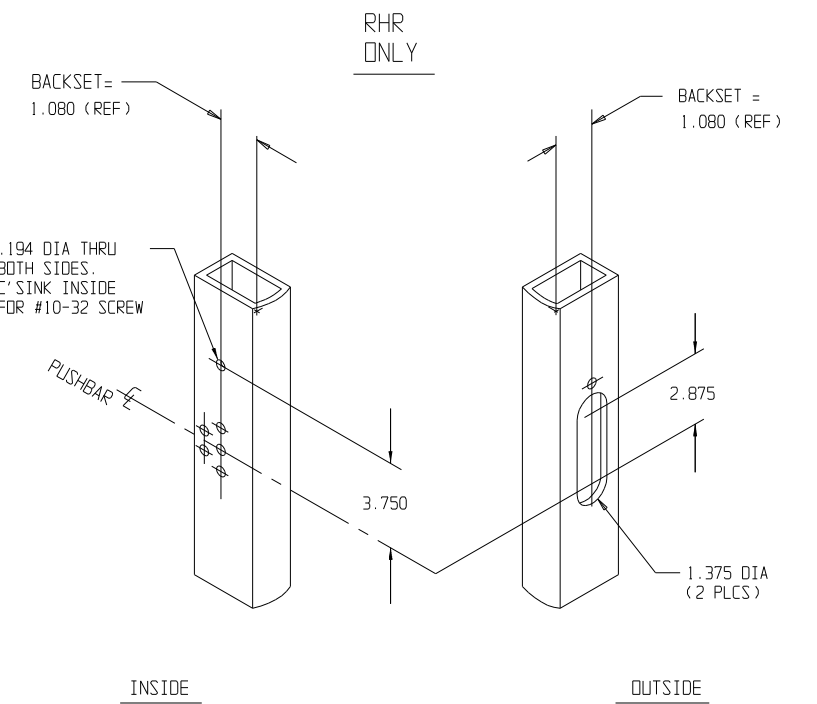
8200 SURFACE VERTICAL ROD EXIT DEVICE



SEE 8100 TEMPLATE FOR PREP DIMS.



SEE 8100 TEMPLATE FOR PREP DIMS.



SEE 8200 TEMPLATE FOR PREP DIMS.



www.adamsrite.com
 Phone: 800-626-7590
 800-872-3267
 Fax: 866-582-4641
 800-232-7329

80-0180-30

8066 ENTRY FUNCTION

Rev. F

Ecn 11955B

Date: 06/28/12

Page 2 of 2

Appvd: MP

Date: 07/06/12