



Make a Clean Getaway

5600 *series*

Hands-Free
Power Operator Kits
for Public Restrooms

Norton[®]
ASSA ABLOY

ASSA ABLOY, the global leader
in door opening solutions



Looking for a simple and effective way to create a completely touchless restroom?

Just wave your hand! The NORTON 5600 Series Hands-Free Kits combine a wave-to-open switch with the 5600 power operator to open the door and provide a 'clean' exit without touching hardware. When used with automatic toilets, soap dispensers, sinks and dryers, the 5600 Hands-Free Kits provide the final piece of the puzzle for a touchless, germ free bathroom experience.

The Norton 5600 Series Hands-Free Kits feature the 5600 Low Energy Operator with a wave-to-open wall switch that can be ordered alone or with an electric strike for openings using cylindrical or mortise locks.

Benefits

- Easily retrofit public restroom doors to become part of a touchless environment
- Sensor in wave-to-open switch detects motion and opens door without touching hardware and transferring germs
- Convenient kits simplify the ordering process and ensure use of the correct components
- Industry-leading products offer reliability and durability
- Kits available for doors with or without locking hardware to transform any opening
- No additional power supply needed for accessories - 5600 powers both wave-to-open wall switch and electric strike

5600 Series Hands-Free Kits

There are 6 kits available to convert restrooms to a completely touchless environment. For product specific information, see the facing page.

5610K1 (pull), 5630K1 (push)

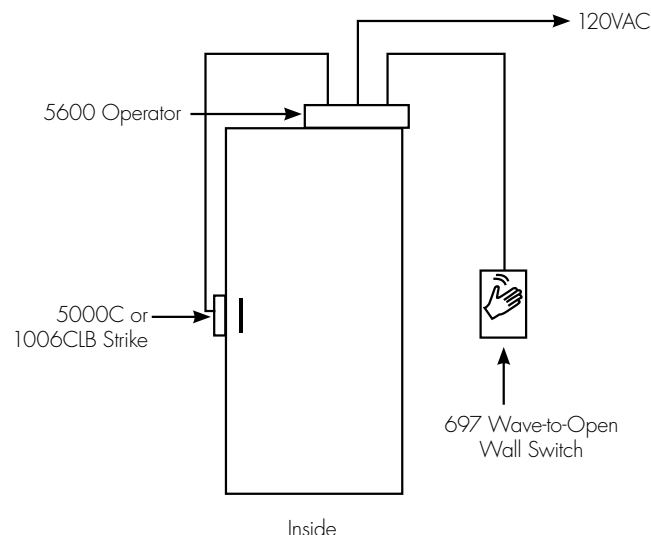
- For openings without locking hardware
- Contains 5610 (pull) or 5630 (push) power operator and wave-to-open wall switch

5610K1-SC (pull), 5630K1-SC (push)

- For openings with a cylindrical lock
- Contains 5610 (pull) or 5630 (push) power operator, wave-to-open wall switch and HES 5000C electric strike

5610K1-SM (pull), 5630K1-SM (push)

- For openings with a mortise lock
- Contains 5610 (pull) or 5630 (push) power operator, wave-to-open wall switch and HES 1006CLB electric strike



5600 Series Operator



5610 shown

The 5600 series electromechanical operator offers an easy and affordable way to achieve ADA compliance on interior, non-fire rated doors. Easy to install, setup and adjust, the 5600 is perfect for use in creating touchless restroom environments when used with the 697 Wave-to-Open Wall Switch.

Features

- Patent pending
- Push or pull side mounting
- Non-handed
- Quiet operation
- Electrically controlled backcheck, sweep and latch
- Onboard power supply for the touchless wall switch and electric strike

697 Wave-to-Open Wall Switch



The 697 Wave-to-Open wall switch is activated by movement. This switch provides an effective hands-free option to standard wall switches.

Features

- Single gang and double gang
- Doppler radar
- Sensor requires movement for activation
- Variable relay-hold time from 1 to 10 seconds
- Range of 2" to 24" – field adjustable
- 2-3/4" (Single); 4-1/2" (Double) W. x 4-1/2" H.

HES 5000C Electric Strike For Cylindrical Locks



The 5000C series, for use with cylindrical locks, is a compact, high performance electric strike designed for low profile openings where there is limited space behind the jamb. This field selectable fail secure/fail safe unit is easy to install and accommodates latchbolts up to 5/8" throw.

Features

- ANSI/BHMA A156.31 Grade 1 certified
- For metal frame applications
- Tamper resistant
- Static strength: 1500 lbs
- Dynamic strength: 70 ft-lbs
- Endurance: 500,000 cycles
- Non-handed

HES 1006CLB Electric Strike For Mortise Locks



The 1006CLB electric strike, for use with mortise locks, features heavy duty stainless steel construction providing extra strength for the strike. The 1006CLB ships with three interchangeable faceplates and will fully accommodate every lock designed to work with an ANSI 4-7/8" strike plate.

Features

- ANSI/BHMA A156.31 Grade 1 certified
- For metal or wood frame applications
- Tamper resistant
- Static strength: 3070 lbs
- Dynamic strength: 350 ft-lbs
- Endurance: 1,000,000 cycles
- Non-handed

NOTE: For additional information regarding strikes, please visit www.hesinnovations.com.

Norton Door Controls
3000 Highway 74 East • Monroe, NC 28112
Tel: 1-877-974-2255 • Fax: 1-800-338-0965

Norton® is a registered trademark of Yale Security Inc., an ASSA ABLOY Group company. Other products' brand names may be trademarks or registered trademarks of their respective owners and are mentioned for reference purposes only. These materials are protected under U.S. copyright laws. All contents current at time of publication. Copyright © 2013, 2014, Yale Security Inc., an ASSA ABLOY Group company. All rights reserved. Reproduction in whole or in part without the express written permission of Yale Security Inc. is prohibited.

43284-3/14RE