

PARTS LIST

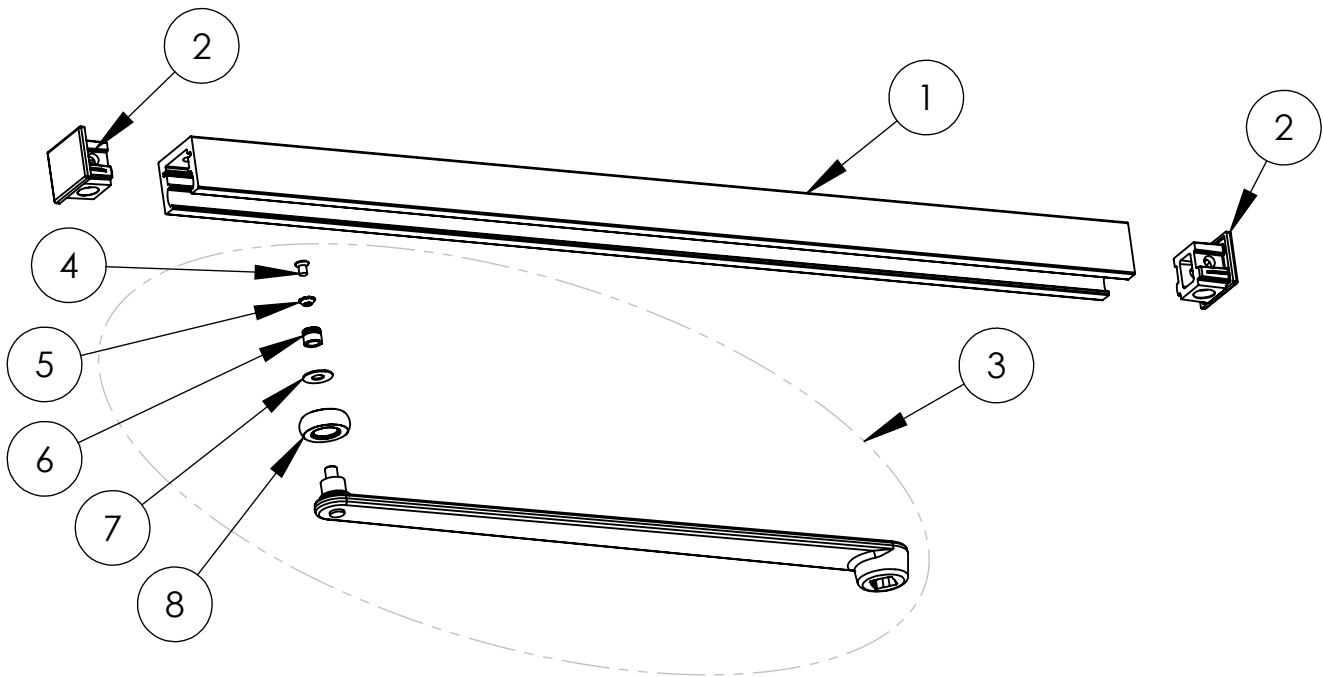
25-POT TRACK TYPE ARM, PUSH SIDE

PARTS LIST

PAGE No. 17
REV. B

4/2011

ITEM No.	PART No.	DESCRIPTION	QTY.
1	63-0159	*CHANNEL PUSH	1
2	63-0682	*END CAP	2
3	63-3901	*MAIN ARM ASSEMBLY (TRACK TYPE)	1
4	01-1028	8-32 x 1/4" FLAT UNDERCUT HEAD SCREW	1
5	01-0930	COUNTERSUNK LOCK WASHER	1
6	63-0738	ROLLER BUSHING	1
7	63-0687	WASHER	1
8	63-3900	ROLLER & BEARING ASSEMBLY	1
9	63-3482	*SCREW PACK (NOT SHOWN)	1



* FINISH REQUIRED: POWDER COAT FINISHES - EB, EN, ED, EP, EAB.

© SARGENT Manufacturing Company. An ASSA ABLOY Group Company. All Rights reserved.

SARGENT®
ASSA ABLOY