

FALCON®

24/25 Series

Heavy duty touch bar exit device

Overview

Robust and aesthetically pleasing, the Falcon 24 Series and 25 Series exit devices provide you a full range of functions and are able to fit narrow and wide stile door types. Falcon is focused on providing you solid products with solid performance at a solid price. The sleek architectural design is perfect for a variety of applications to assure every door opening provides safe egress while also integrating with the overall building design. Combining functionality and design allows you to have confidence that your exit device is built to last and will look great - all at an affordable price.



24 Series

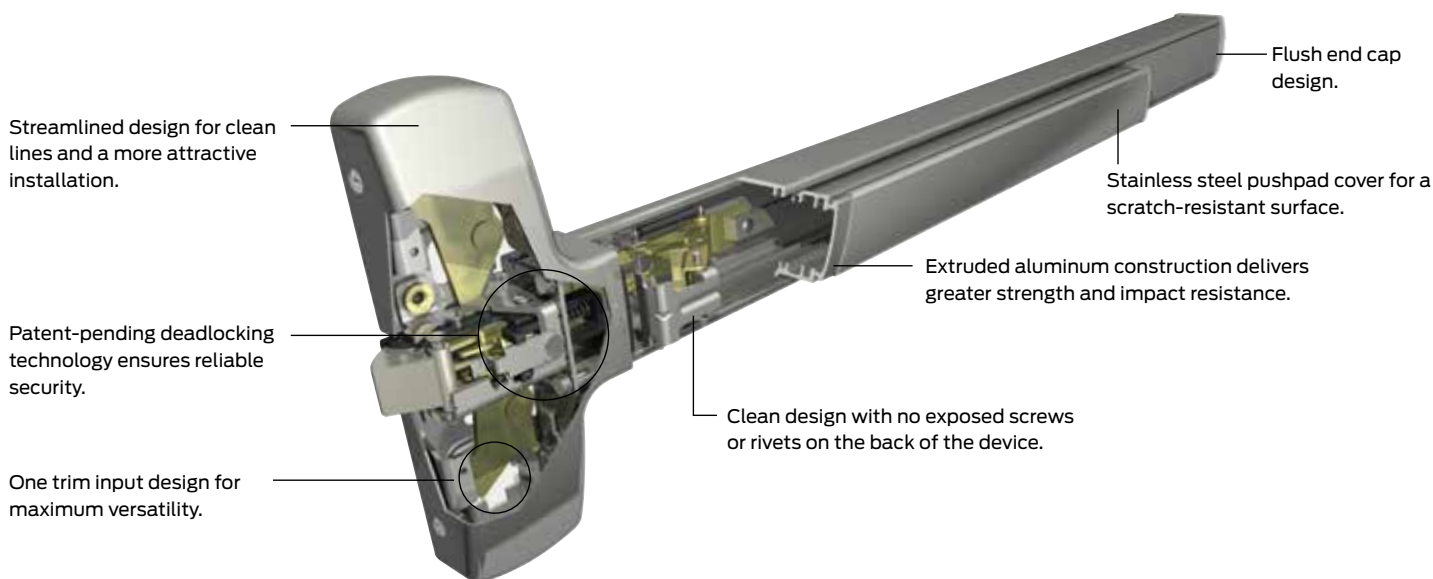


25 Series

24/25 Series

Heavy duty, Grade 1 exit devices

The 24 and 25 Series devices are designed for maximum versatility, using exacting standards for quality and consistency.



Benefits of the 24/25 Series:

- Simple to order at a solid price
- Easy selection and greater specification flexibility
- Meets or exceeds ANSI/BHMA Grade 1 testing standards
- Extruded aluminum body for tough performance in a range of applications
- Standard features include scratch-resistant surfaces and deadlocking built into the device

Available finishes



605/US3
Brass, bright



606/US4
Brass, satin



612/US10
Bronze, satin



625/US26
Chromium, bright



626/US26D
Chromium, satin



628/US28
Anodized aluminum



629/US32
Stainless steel, bright



630/US32D
Stainless steel, satin



710/313AN
Anodized duranodic

About Allegion

Allegion (NYSE: ALLE) creates peace of mind by pioneering safety and security. As a \$2 billion provider of security solutions for homes and businesses, Allegion employs more than 8,000 people and sells products in more than 120 countries across the world. Allegion comprises more than 25 global brands, including strategic brands CISA®, Interflex®, LCN®, Schlage® and Von Duprin®. For more, visit www.allegion.com.

aptiQ ■ LCN ■ SCHLAGE ■ STEELCRAFT ■ VON DUPRIN



© 2014 Allegion
009839, Rev. 09/14
www.allegion.com/us