

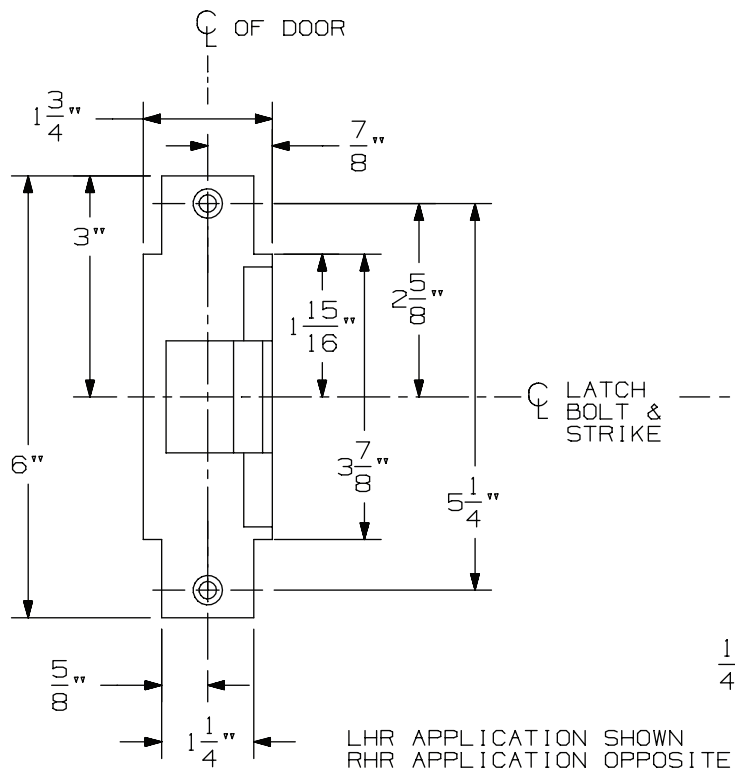
PILOT DRILL FOR #12 WOOD SCREWS 2 PLACES

CL STRIKE

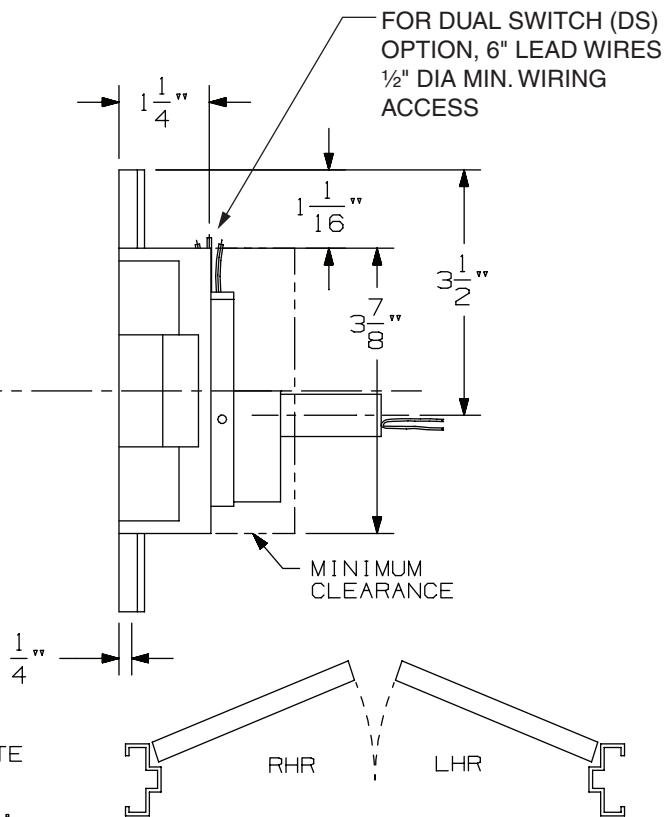
SUGGESTED CUTOUT

CL DOOR & L STRIKE

RHR DOOR



NOTES:  
1. SEE SHT 2 FOR APPLICATION SCHEDULE.



## 6223 Electric Strike Wood Door Application

**VON DUPRIN**®

NOTES: SEE MASTER SHEET #10001 FOR SUGGESTED REINFORCING

TEMPLATE NUMBER: W30225\_b Sht 1

DATE: 06-05-15

# 6223 ELECTRIC STRIKE

## MORTISE/CYLINDRICAL APPLICATION SCHEDULE

PRODUCT MANUFACTURER	PRODUCT APPLICATION	THROW
VON DUPRIN	7500 MORTISE	3/4"
ADAMS RITE	4510 MORTISE	1/2"
ADAMS RITE	4710 MORTISE	5/8"
BALDWIN	6000 MORTISE	3/4"
BEST	24H/30 SERIES MORTISE	3/4"
CORBIN	9000 SERIES MORTISE	3/4"
FALCON	M2300/M2500/M2600 MORTISE	3/4"
FALCON	M3300/M3500/M3600 MORTISE	5/8"
MONARCH	18-M MORTISE	3/4"
PRECISION	MORTISE	3/4"
RUSSWIN	MORTISE	3/4"
SARGENT	6500/8100 MORTISE	3/4"
SARGENT	900 MORTISE	3/4"
SCHLAGE	L9000 MORTISE	3/4"
YALE	8600 MORTISE	5/8"
YALE	8700 MORTISE	3/4"
BALDWIN	CYLINDRICAL	1/2" - 3/4"
BEST	CYLINDRICAL	3/8" - 3/4"
CORBIN	CYLINDRICAL	1/2" - 3/4"
FALCON	CYLINDRICAL	1/2" - 3/4"
RUSSWIN	CYLINDRICAL	1/2" - 3/4"
SARGENT	CYLINDRICAL	1/2" - 3/4"
SCHLAGE	CYLINDRICAL	3/8" - 3/4"
YALE	CYLINDRICAL	1/2" - 3/4"

**NOTES:**

1. DEADLATCH NOT GUARANTEED ON CYLINDRICAL APPLICATIONS.
2. MONITORING COULD BE AFFECTED BY DOOR/FRAME PREPARATION.
3. SIGNAL TRIPPER FUNCTION WITH 3/8" THROW BOLTS IS NOT RECOMMENDED.
4. DO NOT USE FOR LOCKS WITH DEADBOLTS.

**6223 Electric Strike  
Wood Frame Application**

**VON DUPRIN®**

NOTES: SEE MASTER SHEET #10001 FOR SUGGESTED REINFORCING

TEMPLATE NUMBER: **W30225\_b Sht 2**

DATE: 06-05-15