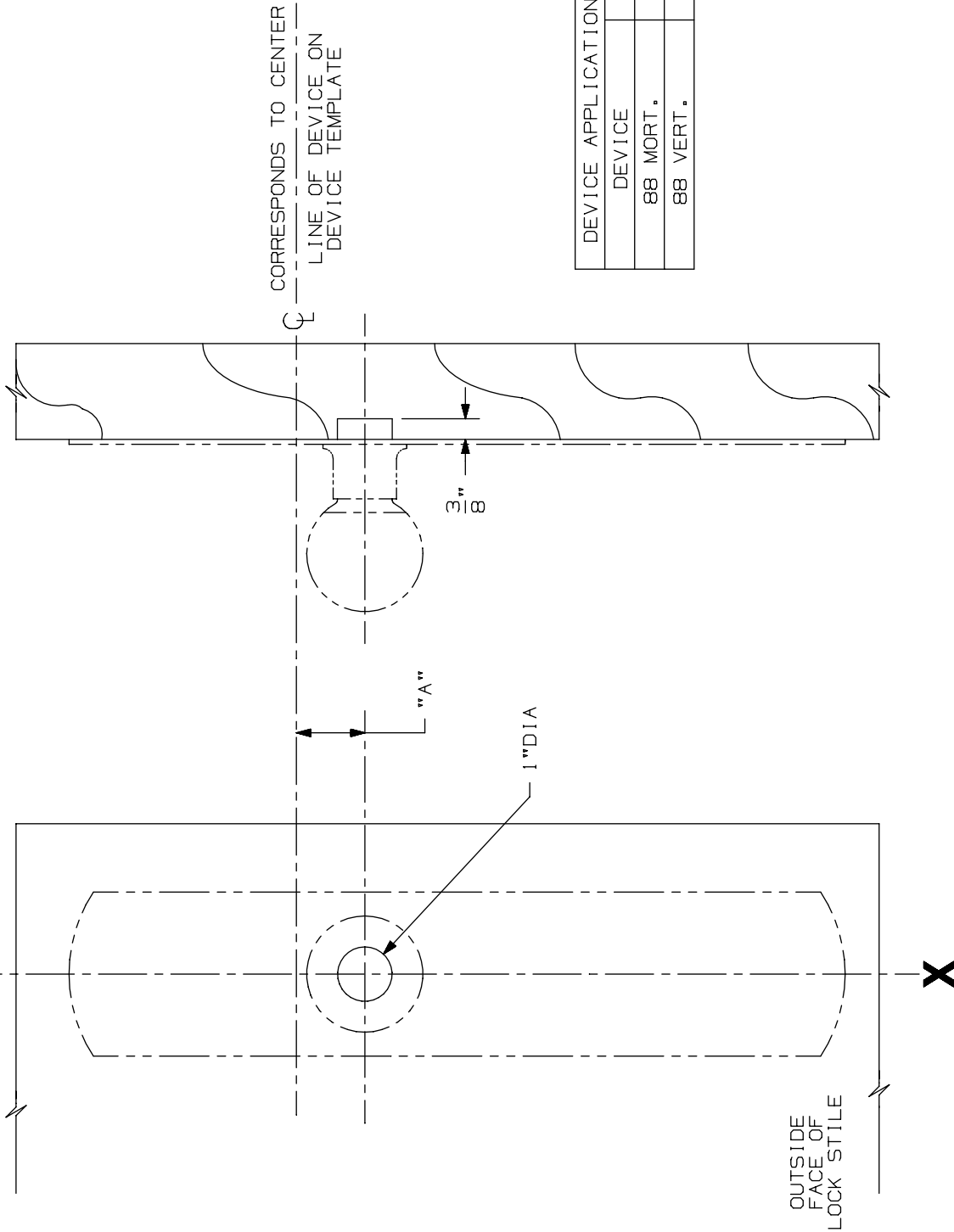


LINE X-X CORRESPONDS TO  
LINE X-X ON DEVICE TEMPLATE



DEVICE APPLICATION SCHEDULE	DIM. "A"
88 MORT.	1 1/4"
88 VERT.	1 1/2"

LHR SHOWN  
RHR OPPOSITE

NOTE: MOUNTING HOLES TO BE PREPARED  
AT INSTALLATION ON DOOR.

FOR CUTOUTS ON INSIDE FACE OF DOOR  
SEE DEVICE TEMPLATE.

880K-DT Trim (Wood Door)

**VON DUPRIN**®

NOTES: SEE MASTER SHEET #10001 FOR SUGGESTED REINFORCING

TEMPLATE  
NUMBER:

W20262\_a

DATE:  
05-29-13