



24244105

Chexit Device

VON DUPRIN®

Special Instructions for Building Owner

Installation Instructions

NOTE TO OWNER

This product is not intended to detain or prevent exit, but to delay egress for not more than 15 seconds in accordance with NFPA 101 requirements for "special locking arrangements".

⚠ WARNING

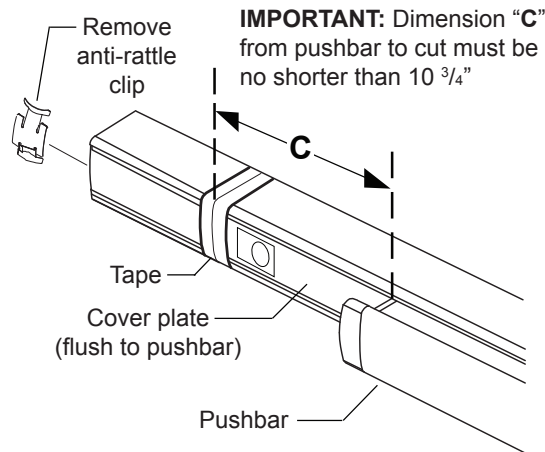
The signal switch inside the device is pre-set at the factory. Tampering with this switch can cause the basic exit features of this device to fail in an emergency.

⚠ CAUTION

There are no user serviceable parts in the electronic module or in the delay mechanism. Consult factory for repair of these components.

ATTENTION!

1. The electronic delay module is located in a separate box and must be installed by an electrician.
2. Check door size carefully before cutting device and cover. See below.



3. Device should be tested periodically for proper function and moving parts should be lubricated semiannually.

Customer Service

1-877-671-7011 www.allegion.com/us



© Allegion 2014
Printed in U.S.A.
24244105 Rev. 01/14-b