

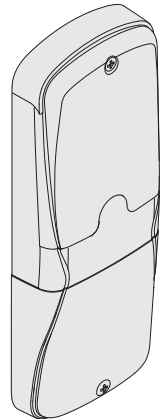
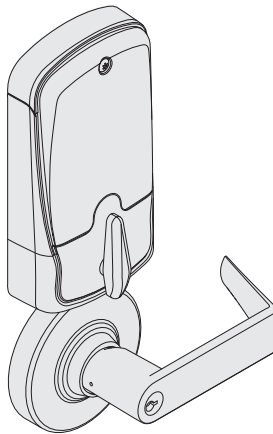
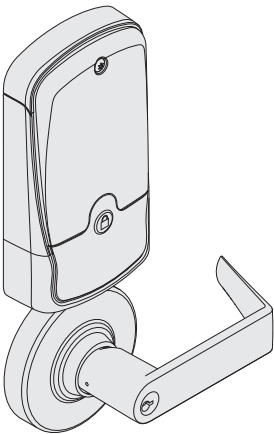
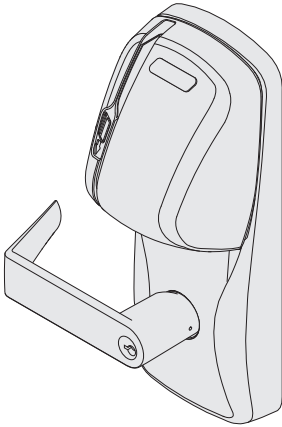


P516-272

CO-250

Offline lock user guide

Instructions for programming CO-Series offline locks



Para el idioma español, navegue hacia www.allegion.com/us.
Pour la portion française, veuillez consulter le site www.allegion.com/us.

Contents

Overview	3
Lock functions	4
Getting started	4
Schlage Utility Software (SUS)	4
Construction access mode	5
Create the master construction credential - locks with card readers	5
Locks with card readers – Add construction access mode user credentials	5
Cancel construction access mode	5
Locks with keypads	6
Test lock operation	7
Mechanical test	7
Test in factory default mode	7
Test in normal operation mode	7
Normal lock operation	7
Reset to factory defaults	8
Level 1 factory default reset	8
Level 2 factory default reset	8
Batteries	9
Low battery indications	9
Battery failure modes	10
LED reference	10
Schlage button	10
Optional Inside Push Button (IPB)	10
Troubleshooting	11
FCC statements	12

This product is compliant of UL 294 and ULC S319 standard. This product's compliance would be invalidated through the use of any add-on, expansion, memory or other module that has not yet been evaluated for compatibility for use with this UL Listed product, in accordance with the requirements of the Standards UL 294 and ULC S319. This product has been evaluated for ULC-S319 Class 1.

Overview

The Schlage CO-250 is an off-line electronic lock in the CO-Series product line.

- This product is listed for UL294 and ULCS319.
- The lock is powered by four (4) AA batteries. See *Batteries* on page 9 for more information.
- Outside lever is normally locked.
- Inside lever always allows egress.
- The lock maintains an audit trail of events.
- The lock is configured using the Schlage Utility Software (SUS). See *Schlage Utility Software (SUS)* on page 4 for more information.

Outside

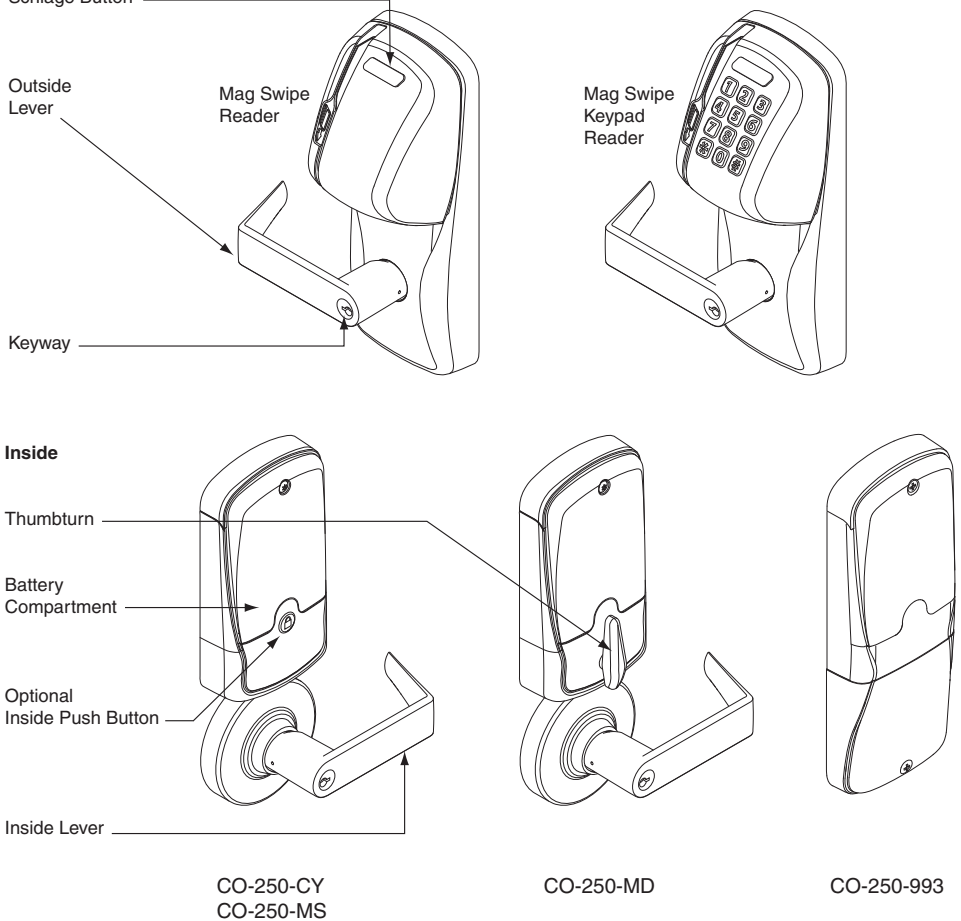
Schlage Button

Outside
Lever

Keyway

Mag Swipe
Reader

Mag Swipe
Keypad
Reader



CO-250-CY
CO-250-MS

CO-250-MD

CO-250-993

Lock functions

The CO-250 is available in one of three functions:

Privacy (40): Lockset is normally secure. Pressing the Inside Push Button or extending the deadbolt will disable normal electronic access from the outside. Opening the door, retracting the deadbolt or pressing the Inside Push Button a second time deactivates the privacy status.

Office (50): Lockset is normally secure. Inside Push Button may be used to select passage or secured status.

Classroom/Storeroom (70): Lockset is normally secure. Valid toggle credentials may be used to change to a passage or secure status.

Getting started

Follow these steps when setting up a new lock.

1. Install the lock. See the installation guide that came with the lock or visit www.allegion.com/us (see Support>Schlage Electronics>Electronic Locks Technical Library) for more information.
2. Make sure the batteries are installed properly. See *Batteries* on page 9 for more information.
3. Configure the master construction credential (where applicable). See *Construction access mode* on page 5 for more information. The lock should remain in construction access mode until you are ready to set up the rest of the system.
4. Test the lock for proper mechanical and electronic operation. See *Test lock operation* on page 7 for more information.
5. Consult the Schlage Utility Software (SUS) user guide for information about configuring the lock.
6. Familiarize yourself with the information contained in this user guide.

Save this user guide for future reference.

Schlage Utility Software (SUS)

The Schlage Utility Software is used for programming and setup only.

The Schlage Utility Software (SUS) is used to configure locks. The SUS configures lock functions that cannot be configured with manual programming, and is used to transfer data files between the access control software and locks.

For more information about the SUS, see the SUS user guide.

Construction access mode

Construction access mode is used to allow access before the lock has been programmed, and for testing purposes.

- Enabled by default.
- The lock will remain in construction access mode until the mode is cancelled as described below.
- No audits are captured while lock is in construction access mode.

Create the master construction credential - locks with card readers

1. Press and hold the Schlage button while presenting a credential, and is used to program construction access.
2. This credential becomes the master construction credential.
3. The Schlage button will blink green on the left and right as confirmation.

After you have created the master construction credential, you can then use that card to add construction access mode user credentials.

- ① **The master construction credential will not grant access. It is used only to add additional access credentials.**

TIPS

Use the same master construction credential for all the locks in the facility.

If you present the first card to a new lock to create the master construction credential and the card is not accepted, the lock has either been programmed or already has a master construction credential.

If the master construction credential cannot be located, or to put the lock back into construction access mode, reset the lock to factory settings. See *Reset to factory defaults* on page 8 for more information.

Locks with card readers – Add construction access mode user credentials

Construction access mode credential type	Steps to add construction access mode user credentials				
	1	2	3	4	5
Normal use construction credential Unlocks the lock for relock delay period	Present master construction credential to reader →	Green LEDs blink →	Present user credential within 20 seconds →	Green LEDs blink and credential is added →	Repeat steps 3 and 4 for additional credentials.
Toggle construction credential Changes the state of lock from locked to unlocked or vice versa	Present master construction credential to reader →	Green LEDs blink →	Press and hold Schlage button while presenting user credential within 20 seconds →	Green LEDs blink, 2 beeps will sound and credential is added →	Credentials added with the master construction credential will have 24/7 access.

Cancel construction access mode

Construction access mode may be cancelled by one of the following methods:

- load a door file using the SUS
- reset the lock to factory settings (see *Reset to factory defaults on page 8* for more information).

When construction mode is cancelled, the master construction credential and all other credentials added using the master construction credential will no longer function.

Locks with keypads

In the factory default reset state, offline locks with keypads, with or without additional credentials, have a default PIN of 13579 and “#”, which can be used for installation, testing and construction access. To test, enter 13579 and “#”. The Schlage button will blink and the lock will unlock. The default PIN is automatically deleted when a new programming credential is created, or the lock is programmed with the Schlage Utility Software (SUS).

Test lock operation

If you encounter problems while performing any of the following tests, review the installation guide and correct any problems.

Mechanical test

1. Rotate the inside lever or depress the push bar to open the door. Operation should be smooth, and the latch should retract.
2. Insert the key into the keyway and rotate the key and the outside lever to open the door. Operation should be smooth, and the latch should retract. The Schlage button will light solid green until the key is released and the latch is extended.

Test in factory default mode

1. For locks with a keypad, press any number key. The lock will beep and the Schlage button will blink red.
2. The Schlage button will blink red twice when a credential is presented and the lock is in factory default mode, and has no access programming.
3. For locks with keypads, enter the default PIN (13579 and “#”) to verify access. The Schlage button will blink green, a beep will sound, and the door will unlock for the preset relock delay period. After the relock delay period, the lock will relock and the Schlage button will blink red. If the lever retracts and holds the latch through the relock delay period, then the Schlage button will light green until the lever is released.

Test in normal operation mode

1. Present a valid credential. The Schlage button will blink green, a beep will sound and the door will unlock for the preset lock delay period. The lock will re-lock after the relock delay period and the Schlage button will then blink red. If the lever retracts and holds the latch through the relock delay period, then the Schlage button will light green until the lever is released.
2. If an invalid credential is presented, the Schlage button will blink red, a beep will sound and the door will not unlock.

Normal lock operation

After the lock has been programmed, present credentials to operate the lock as follows:

Credential type	Action
Credential	Present credential to reader → Green blink and access granted
+ PIN credential	Present + PIN credential to reader → Green blink and access granted

- 1 If the PIN is entered incorrectly, press “*” to start over.

Reset to factory defaults

All information in the lock will be deleted and reset to factory defaults!

The door must be locked (not toggled open or in the middle of normal access) before resetting to factory defaults.

Level 1 factory default reset

- ① **Level 1 factory default reset will delete configurations and settings in the main controller in the lock.**
- ① **Main controller configurations that will reset to factory default include: programming and user codes.**
- ① **Level 1 factory default reset will not reset configurations and settings in the reader.**
 1. Press and hold the Schlage button. Wait for the lock to beep twice and two green blinks of the Schlage button, indicating confirmation.
 2. After confirmation signals, release the Schlage button.
 3. Rotate the mechanical key within 10 seconds and hold. The Schlage button will light green. Continue holding the key until confirmation signals are observed (the Schlage button light will turn off one second and a one second beep will sound). After confirmation signals, release the mechanical key.
 4. The Schlage button will light green for one second and a one-second beep will sound to confirm reset to factory defaults.
- ① **If the mechanical key is not rotated within 10 seconds, two beeps and two red blinks indicate timeout.**

Level 2 factory default reset

- ① **Level 2 factory default reset will delete all configurations and settings in the lock and the reader.**
- ① **Reader configurations that will reset to factory default include: keypad format, magstripe reader track, beeper on/off, and contactless card.**
- ① **Days in Use counter and lock type configurations will not reset.**

To complete level 2 factory default reset, repeat steps 2 through 4 **within 10 seconds of the confirmation signals of level 1 factory default reset.**

If more than 10 seconds pass after the confirmation signals of level 1 reset, then level 1 reset must be repeated prior to performing level 2 reset.

Batteries

Battery voltage can be checked with the SUS. Changing batteries does not affect any programmed data.

To install or replace alkaline batteries:

1. Remove the battery cover.
2. Remove the battery bracket. **Do not allow the battery pack to hang from the wires.**
3. Install the new batteries (install only new AA Alkaline batteries). Make sure the batteries are installed in the correct orientation.
4. Reinstall the battery pack and battery bracket.
5. Reinstall the battery cover, making sure the plug is to the right of the battery pack (CY, MS and MD locks). Be careful not to pinch the battery wires when installing the battery cover.

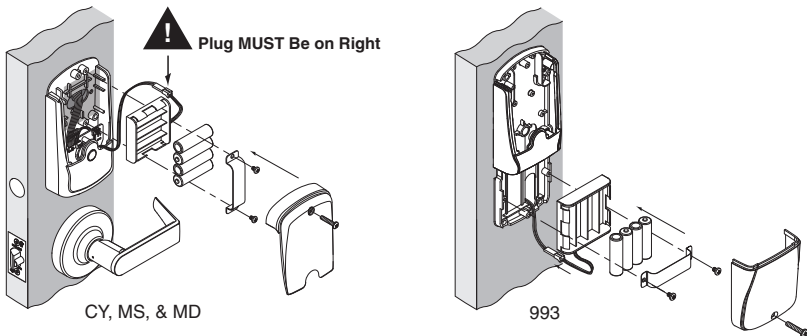
❶ **For coin cell battery installation or replacement, refer to instructions at www.allegion.com/us.**

CAUTION! Danger of explosion if batteries are incorrectly replaced! Replace only with the same or equivalent type. Dispose of used batteries according to the manufacturer's instructions.

This product has been evaluated for ULC-S319 compliance with AA and coin cell batteries listed below. For installations requiring ULC-S319, these battery models should be used.

AA batteries: Duracell PC1500, MN1500; Energizer E91, EN91, AX91, XR91; RayoVac 815, 815-HE

Coin cell batteries: Energizer CR2025, CR2032; Maxell CR2025, CR2032, Panasonic CR2025, CR2032; RayoVac KECR2025, KECR2032.



Low battery indications

❶ **Replacement of batteries does not affect programmed data. Battery voltage can be checked with the SUS.**

Condition	Indicator	Solution
Batteries low	After credential is presented, 9 red blinks of Schlage button (Left = AA batteries, Right = coin cell battery), then normal indicator.	Replace batteries immediately to avoid battery failure. Lock is intended to operate for 500 cycles in low battery condition.
Battery failure (configured by SUS)	No LED or beeps Valid credentials do not grant access	Replace batteries immediately. Mechanical override key must be used to unlock the lock.

Battery failure modes

- ① **The battery failure mode is set using the SUS. See the SUS user guide for more information.**

Mode	Description
Fail As-Is (default)	Lock remains in current state until batteries are replaced.
Fail Unlocked	Lock unlocks and remains unlocked until batteries are replaced.
Fail Locked	Lock locks and remains locked until batteries are replaced.

LED reference

Most LED and beep indicators are configured using the SUS. See the Schlage Utility Software (SUS) user guide for more information.

Schlage button

Condition	Lights
Access denied	2 red blinks
Access denied, user outside time zone	4 red blinks
Factory default reset	One-second solid green with one-second beep
Low battery indicator, AA batteries	9 left red blinks
Low battery indicator, coin cell	9 right red blinks
Momentary unsecured access	1 green blink, then one red blink on relock
Toggle unsecured	2 green blinks
Toggle secure (relocking)	1 red blink
SUS authentication	Left green solid
USB active with no physical connection	Left green blinking
Waiting for PIN (Card + PIN)	5 left red with right green blinks then solid right green.
An incompatible reader is on the lock	2 red blinks and 2 beeps with each card or key press, or 5 red blinks and 5 beeps on power-up

Optional Inside Push Button (IPB)

Action	Lights
Office Mode –Allows lock to toggle between locked (normal) and unlocked state	
Press IPB to lock	1 red blink
Press IPB to unlock ¹	1 green blink
Privacy Mode – Allows the lock to toggle between normal access and a state in which normal credentials are ignored	
With door closed, press IPB to engage privacy ²	4 green blinks
With door closed, press IPB to release privacy ³	4 red blinks

1 Unlocking the lock with the IPB will cause the lock to remain unlocked until the IPB is depressed again.

2 On locks configured with a mortise-deadbolt, throwing the deadbolt will also engage privacy.

3 If DPS is used, then opening door will also release privacy. If a mortise-deadbolt is used, then retracting the deadbolt will also release privacy.

Troubleshooting

Problem	Possible cause	Solution
<p>The lock beeper does not sound and the keypad does not light when the Schlage button is pressed.</p>	<p>The reader may not be properly seated into the front escutcheon.</p> <p>The reader connector may have bent pins.</p> <p>The through door ribbon cable may not be properly plugged in.</p> <p>The battery or wired power may be improperly connected.</p> <p>The batteries may be inserted with incorrect polarity.</p>	<p>Check that the reader is fully seated into the front escutcheon.</p> <p>Check that there are no bent pins in the reader connector.</p> <p>Check that the through door ribbon cable is plugged in correctly. The red wire should be on the left and not pinched in the door.</p> <p>Check that the battery or wired power is connected correctly.</p> <p>Check that the batteries are inserted in the correct polarity.</p> <p><i>Refer to the installation instructions that came with the CO-250 lock, or this user guide for details on the above mentioned procedures.</i></p>
<p>The connection with the SUS is not successful.</p>	<p>The triangles on the outside lock assembly (cylindrical and mortise locks only) may not be properly aligned.</p>	<p>Check the outside lock assembly (cylindrical and mortise locks only). The triangles on the back of the lock assembly must be properly aligned.</p> <p><i>Refer to the installation instructions that came with the CO-250 lock for details.</i></p>
<p>The reader is not working.</p> <p>The Smart card is not reading.</p> <p>The magnetic swipe card is not reading correctly (no beeps or blinks).</p>	<p>The through door ribbon cable may be pinched.</p> <p>The Smart card default of the card reader may not be correct for the Smart card.</p> <p>The “Mag Track in Use” default for all Magnetic Card Credential Readers is “Track2”. The magnetic swipe card data may be on Track1 or Track3.</p>	<p>Check that the through hole ribbon cable is not pinched.</p> <p>Change the Smart card format using the SUS. Select CO-250 “Lock Properties”, “Reader” tab, and “Smart cards in use”.</p> <p>Use the SUS to change “Mag Track in Use”. Select CO-250 “Lock Properties”, “Reader” tab, and “MAG Card Track selection”.</p> <p><i>Refer to the installation instructions that came with the CO-250 lock, or the SUS user guide for details on the above mentioned procedures.</i></p>
<p>The LEDs and beeper indicate an incompatible reader (2 red blinks and 2 beeps with each card or key press, or 5 red blinks and 5 beeps on power-up).</p>	<p>The reader is not the original reader matched with the lock at the factory.</p>	<p>The lock must be installed with the original reader that came with the lock.</p>

FCC statements



This device complies with Part 15 of the FCC Rules. Operation is subject to the following two conditions:

1. this device may not cause harmful interference, and
2. this device must accept any interference received, including interference that may cause undesired operation.

Customer Service

1-877-671-7011 www.allegion.com/us



© Allegion 2016
Printed in U.S.A.
P516-272 Rev. 12/16-h