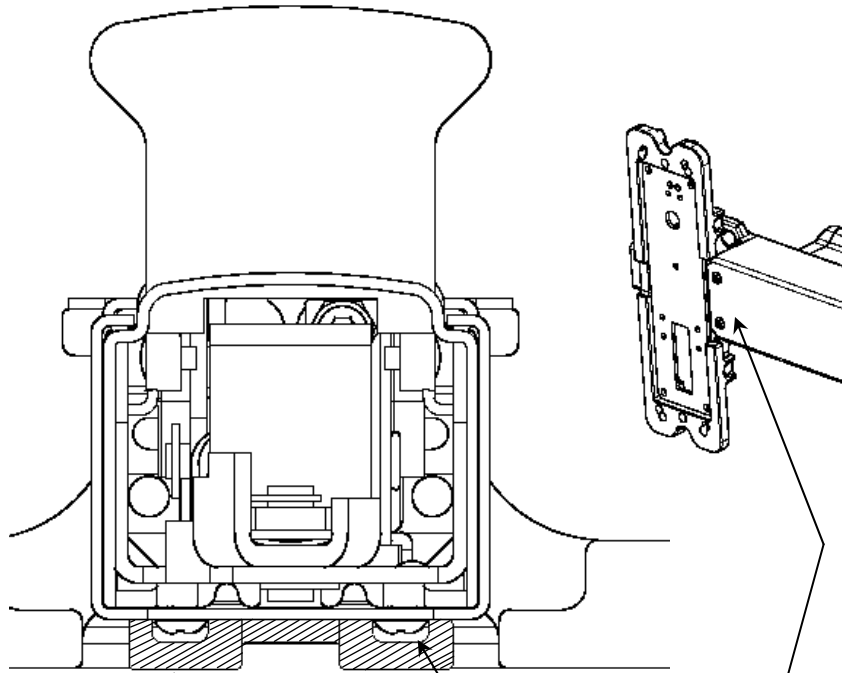


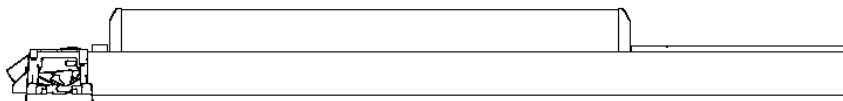
4

APEX: Insert filler behind channel with single-groove-side against door face and notched end toward hinge.



Filler between channel and door face.

Grooves in filler should engage heads of screws that attach channel to chassis.

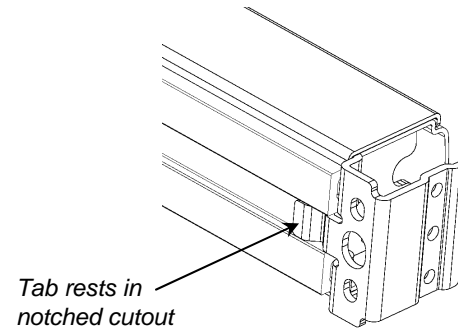


Grooves over screw heads

Notched end of filler

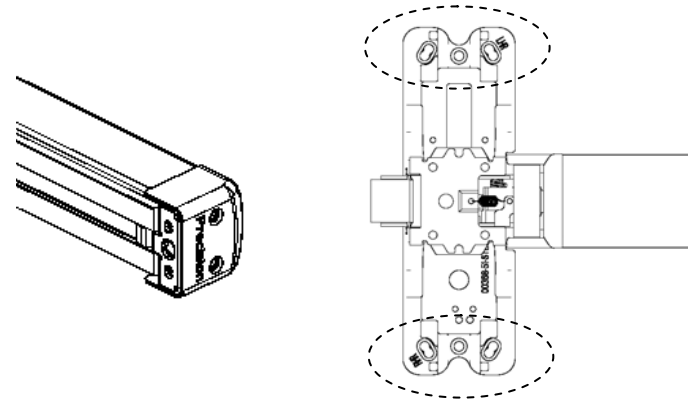
5

APEX: Re-install endcap mounting bracket to door, engaging bracket tab into filler notch.



6

APEX: Re-install device endcap to mounting bracket and re-tighten chassis mounting screws.



CHANNEL OFFSET FILLER INSTALLATION INSTRUCTIONS

Page 2 of 4

STANLEY

phi

DRAWING
05287-11-000

REV.
A

DATE
04/22/2009

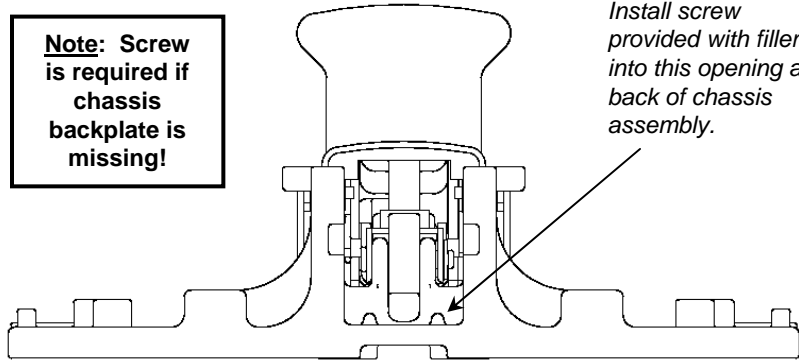
Precision Hardware
a Division of Stanley Security Solutions, Inc.
www.stanleysecuritysolutions.com

7

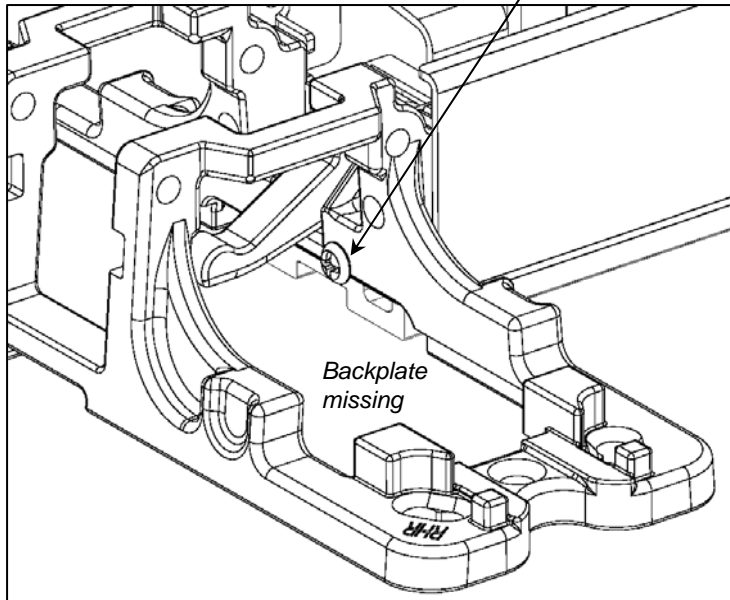
APEX: Install retainer screw (only required for devices without a chassis backplate, such as 2300 Series mortise devices).

Note: Screw is required if chassis backplate is missing!

Install screw provided with filler into this opening at back of chassis assembly.



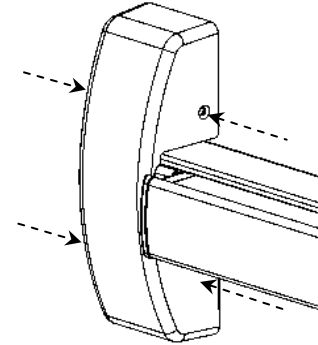
Screw acts as horizontal stop if backplate is not installed.



Backplate missing

8

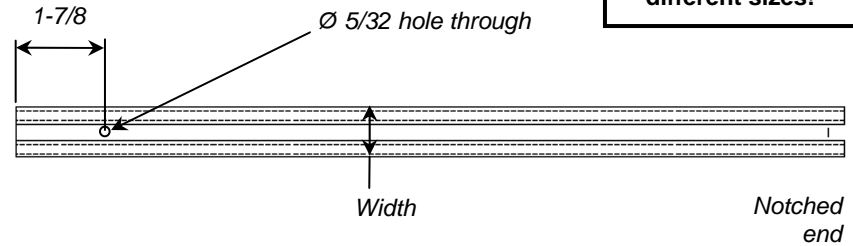
APEX: Re-install chassis cover and test device function.



9

RELIANT: Drill hole through filler, centered across width, for screw attachment to channel.

Note: Holes drilled in steps 9 and 10 are different sizes!



CHANNEL OFFSET FILLER INSTALLATION INSTRUCTIONS

Page 3 of 4

STANLEY

DRAWING
05287-11-000

REV.
A

DATE
04/22/2009

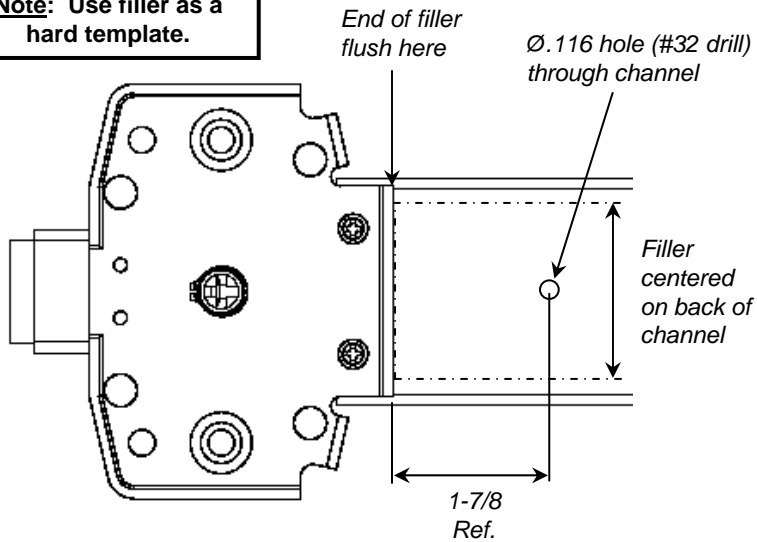


Precision Hardware
a Division of Stanley Security Solutions, Inc.
www.stanleysecuritysolutions.com

10

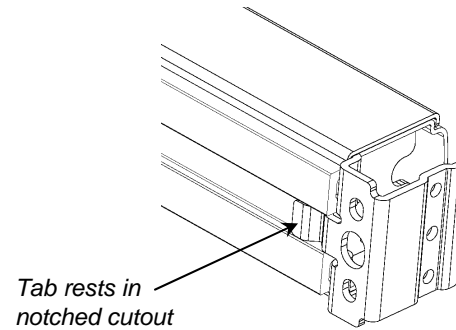
RELIANT: Drill hole through channel to receive sheet metal screw. (Device must be removed from door.)

Note: Use filler as a hard template.



12

RELIANT: Install device to door, engaging endcap mounting bracket tab into filler notch.



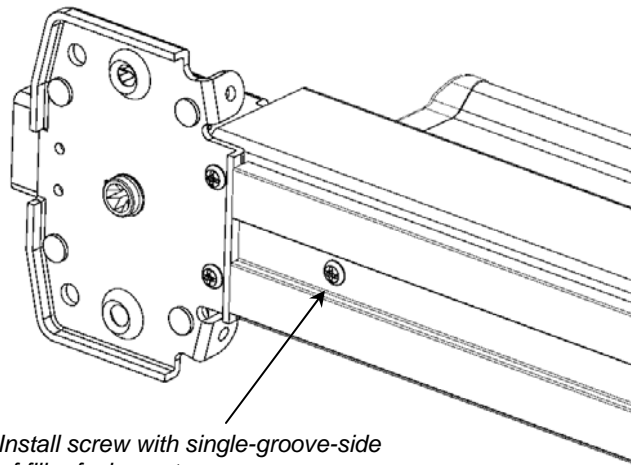
13

RELIANT: Install device endcap and chassis cover, then test device for proper function.

This space intentionally left blank.

11

RELIANT: Attach filler to channel as shown with sheet metal screw provided.



CHANNEL OFFSET FILLER INSTALLATION INSTRUCTIONS

Page 4 of 4

STANLEY

DRAWING
05287-11-000

REV.
A

DATE
04/22/2009



Precision Hardware
a Division of Stanley Security Solutions, Inc.
www.stanleysecuritysolutions.com