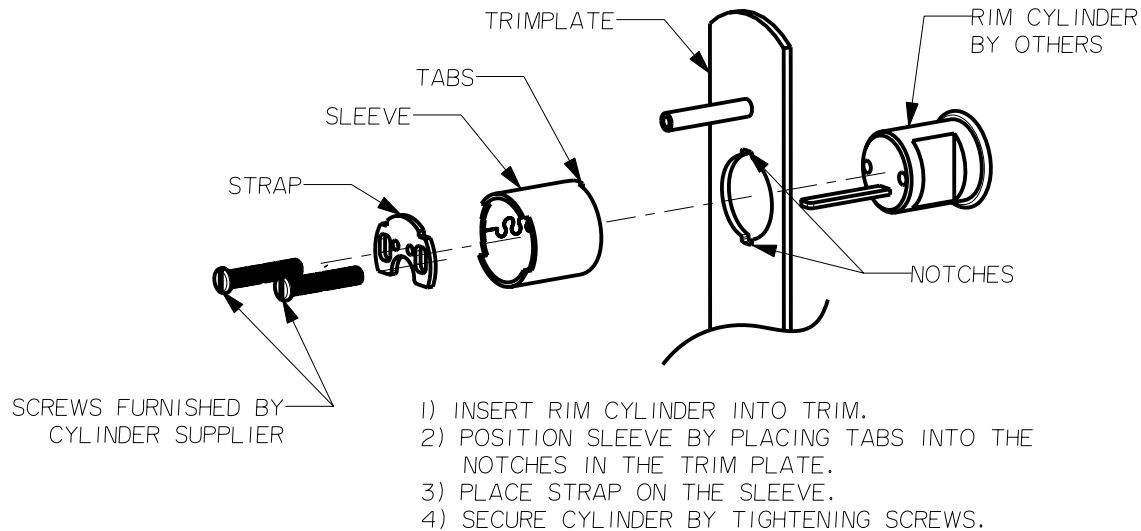


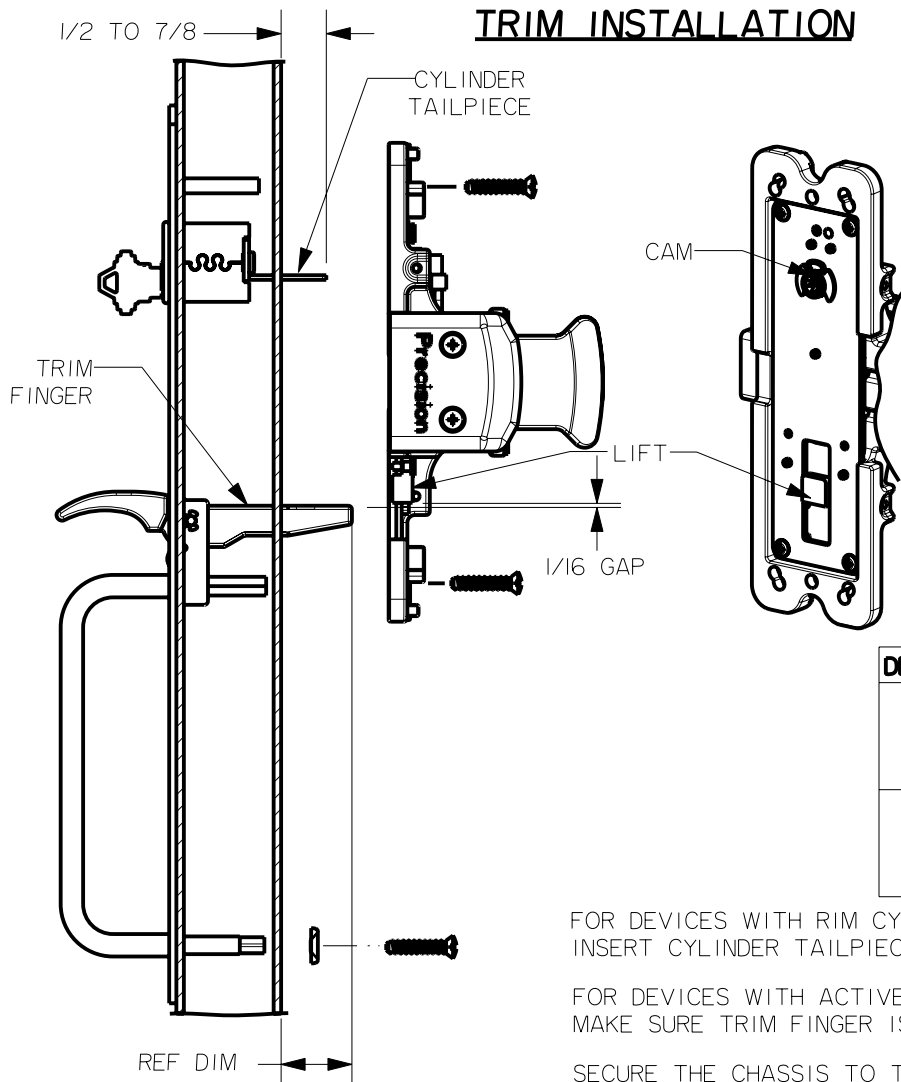
# 2000 SERIES TRIM INSTRUCTIONS

(SEE TEMPLATE FOR DOOR PREPARATION)

## RIM CYLINDER INSTALLATION



## TRIM INSTALLATION



DEVICE TYPE	DOOR THK.	REF DIM
TOUCHBAR DEVICE	1-3/4	1-3/16
	2	15/16
	2-1/4	11/16
CROSSBAR DEVICE	1-3/4	5/8
	2	3/8
	2-1/4	1/8

FOR DEVICES WITH RIM CYLINDER FUNCTION, INSERT CYLINDER TAILPIECE INTO THE CAM

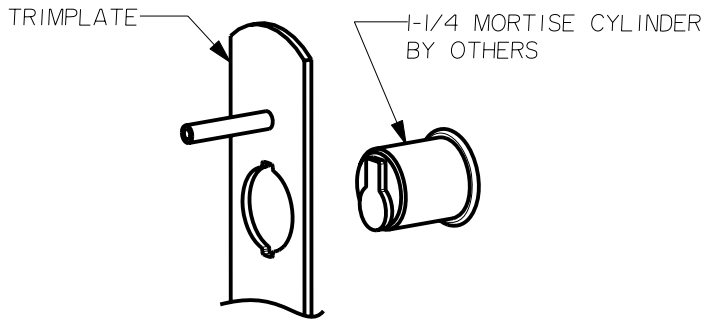
FOR DEVICES WITH ACTIVE THUMBPIECE MAKE SURE TRIM FINGER IS UNDER THE LIFT WITH 1/16 GAP.

SECURE THE CHASSIS TO THE TRIM WITH SCREWS

# 2000 SERIES TRIM INSTRUCTIONS

(SEE TEMPLATE FOR DOOR PREPARATION)

## MORTISE INSTALLATION

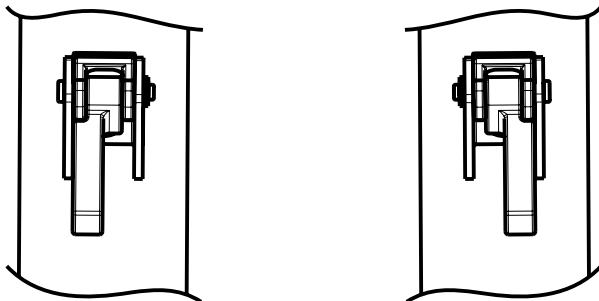


- 1) THREAD CYLINDER INTO THE MORTISE LOCK THROUGH TRIM ASSEMBLY.
- 2) SECURE WITH SCREW THROUGH MORTISE LOCK FRONT.

## MORTISE TRIM FINGERS

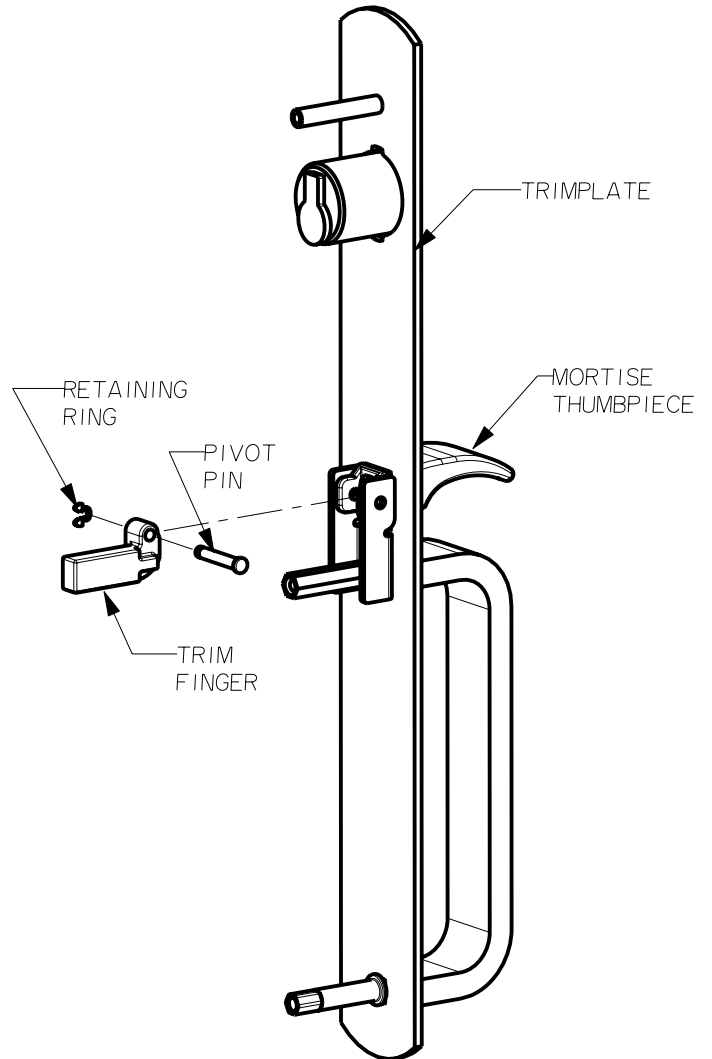
TRIM FINGER RHRB  
PN 00964-54

TRIM FINGER LHRB  
PN 00965-54



## HANDING CHANGE MORTISE TRIM

NOTE: TRIM FINGER OF OPPOSITE HAND IS REQUIRED TO CHANGE HAND.



- 1) REMOVE TRIM FINGER BY REMOVING RETAINING RING AND PIVOT PIN.
- 2) ASSEMBLE THE OPPOSITE HAND TRIM FINGER WITH PIVOT PIN AND RETAINING RING AS SHOWN.

STANLEY

phi

DRWG 01824-11-000 DATE 04/01/03 REVISION A

Precision Hardware  
a Division of Stanley Security Solutions, Inc.  
www.stanleysecuritysolutions.com