

TEMPLATE HALF SURFACE CONTINUOUS GEARED ALUMINUM HINGE

HD4200-85"

HD5300-85"

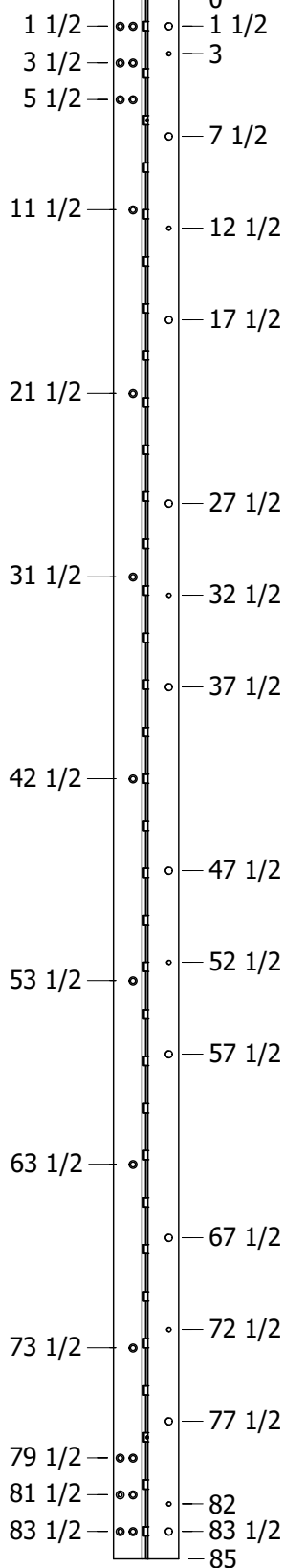
HD5400-85"

19 CS FASTENERS

6 PAN FASTENERS

10 THRU-BOLT FASTENERS

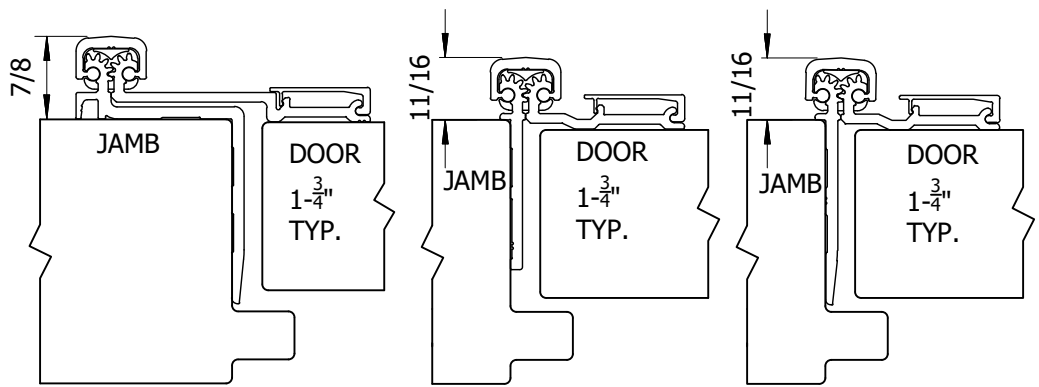
33 BEARINGS



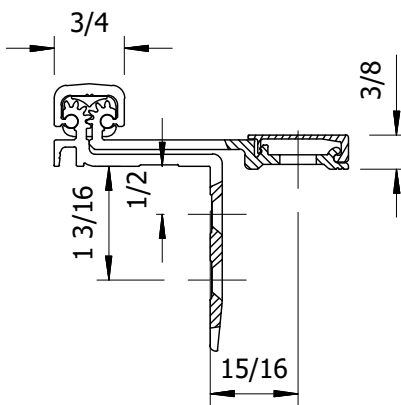
HD4200

HD5300

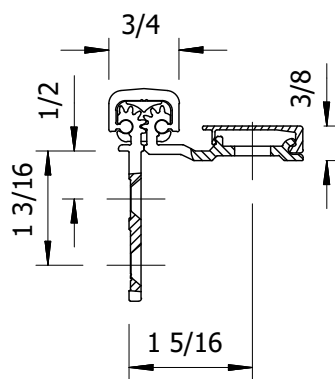
HD5400



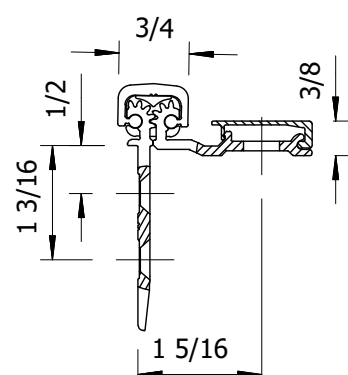
HD4200



HD5300



HD5400




FASTENERS: #12-24 X $\frac{11}{16}$ PH. CS. UNDERCUT TEK SCREW

#12-24 X $\frac{11}{16}$ PH. PAN TEK SCREW

1/4-20 THRU-BOLT

REV	DESCRIPTION	DATE	APPR'D
A	ORIGINAL	6/29/2016	

REVISION HISTORY

	National Guard Products, Inc.		
	4985 E. Raines Rd. Memphis TN 38118	Phone: 1 (800) 647-7874 Fax: 1 (800) 255-7874	
TITLE: HD4200/5300/5400-85" TEMPLATE			
DRAWN BY: B.NORWOOD	SCALE: N/A	DATE: 6/29/2016	TEMPLATE NO: 101669