



Catalog Number See Table
UPC Number
Description Aluminum Parallel Groove Clamp
 #10 - 400 MCM

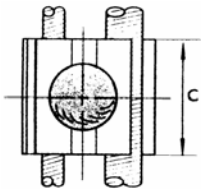


- Features**
- Manufactured from Thermally Treated Extruded Aluminum Alloy
 - Steel Galvanized Set Screws
 - Feed /Tap Configuration for Low Voltage Power Distribution

General

Material Extruded Aluminum Alloy
 Screw Type Galvanized Steel
 Screw Thread
 Wire Range #10 awg - 400 MCM

Dimension Information
 See Table



Specifications

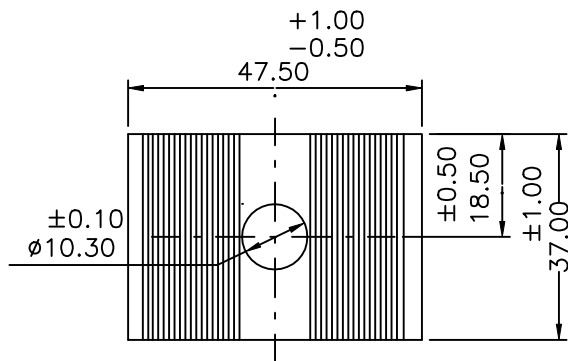
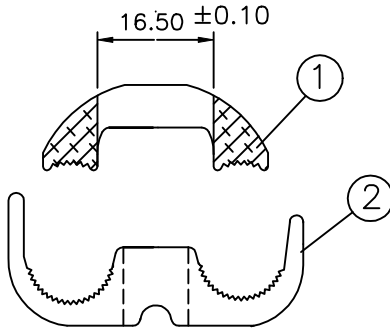
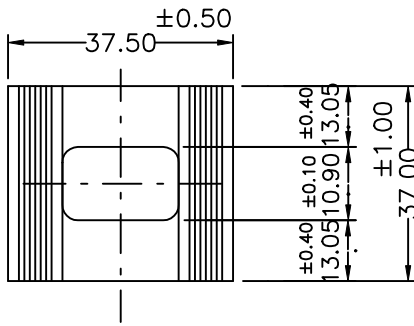
Temperature Rating
 Voltage Rating 600
 Flammability Rating
 Amp Rating

Packaging
 Box Qty See Table

Certifications

UL N/A
 cUL N/A
 RoHS N/A

Cat No.	Figure	Main			Tap			Inches					Box Qty
		CU-AL	ACSR	Wire Diameter	Cu-AL	ACSR	Wire Diameter	A	B	C	D	E	
96012	1	10-1/0	6-1/0	.102-.398	10-2	6-2	.102-.325	1.5	1.5	1.24	1.14	0.394	50
96016	1	10-2/0	6-1/0	.098-.417	10-2/0	6-1/0	.098-.417	1.5	1.5	1.24	1.14	0.394	50
96020	1	1/0-4/0	1/0-4/0	.373-.563	8-1/0	6-1/0	.128-.398	1.97	1.89	1.46	1.5	0.394	50
96024	1	1/0-397.5	1/0-336.4	.373-.720	6/2/0	6-1/0	.162-.417	2.36	2.24	1.67	1.67	0.394	50
96028	1	397.5-400	397.5	.728-.740	397.5-400	397.5	.728-.740	2.36	2.56	1.57	1.97	0.472	50



MARKING

96020
 1/0 - 4/0 CA Cu CAA
 F. 8 - 1/0 CA Cu
 6-1/0 CAA

TORQUE: 3 daN.m

Note 1: Conectors are Prefilled with antioxiide compound and packed in individual plastic bags.

REF.: STANDARD

Dimensions in mm

05	Pressure Washer M10 ou 3/8"	01	STEEL SAE 1060/1070 Hot Galvanized		
04	Hex Nut M10 ou 3/8"BSW	01	STEEL SAE 1010/1020 Hot Galvanized		
03	Round Head Bolt M10 x 1.5 x 50.00 ou 3/8"BSW x 2"	01	STEEL SAE 1010/1020 Hot Galvanized		
02	Upper Body	01	Aluminum Alloy		
01	Lower Body	01	Aluminum Alloy		
ITEM	DENOMINATION	QTY	MATERIAL	P.L.	P.B.

Morris Products Inc.
 53 Carey Rd.
 Queensbury, NY 12804

03	10/11/98				
02	02/05/95		Date	No	
01	26/10/92		10/11/98	96020	
No	Date				
Revisions			Appv'l	10/11/98	01 DE: 01