



Catalog Number 90601
UPC Number 60198690601
Description Copper Pipe Ground Clamp 1/2" - 1"
Rigid Conduit Adaptor



Features

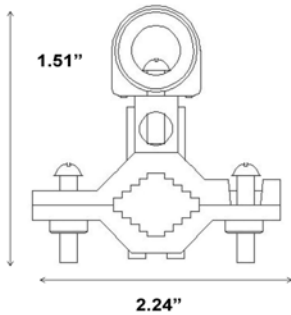
- Manufactured from High Strength High Conductivity Cast Copper Alloy
- Steel Zinc Plated Set Screws
- Water Pipe, Ground Rod, Copper Tubing applications
- Internal Serrations for improved contact integrity
- Conduit Hub Adaptor

General

Pipe Size: 1/2", 3/4", 1"
Conduit Size: 1/2"
Material: High Conductivity Cast Copper
Screw Type: Zinc coated steel
Screw Size: Top 1/4" x .63 Bottom 1/4" x 1.50"
Wire Range: #10 awg - #2 awg

Dimension Information

Width: 2.34"
Height: 1.51"



Specifications

Temperature Rating
Voltage Rating 600
Flammability Rating
Amp Rating

Packaging

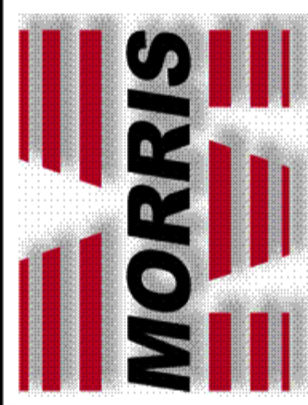
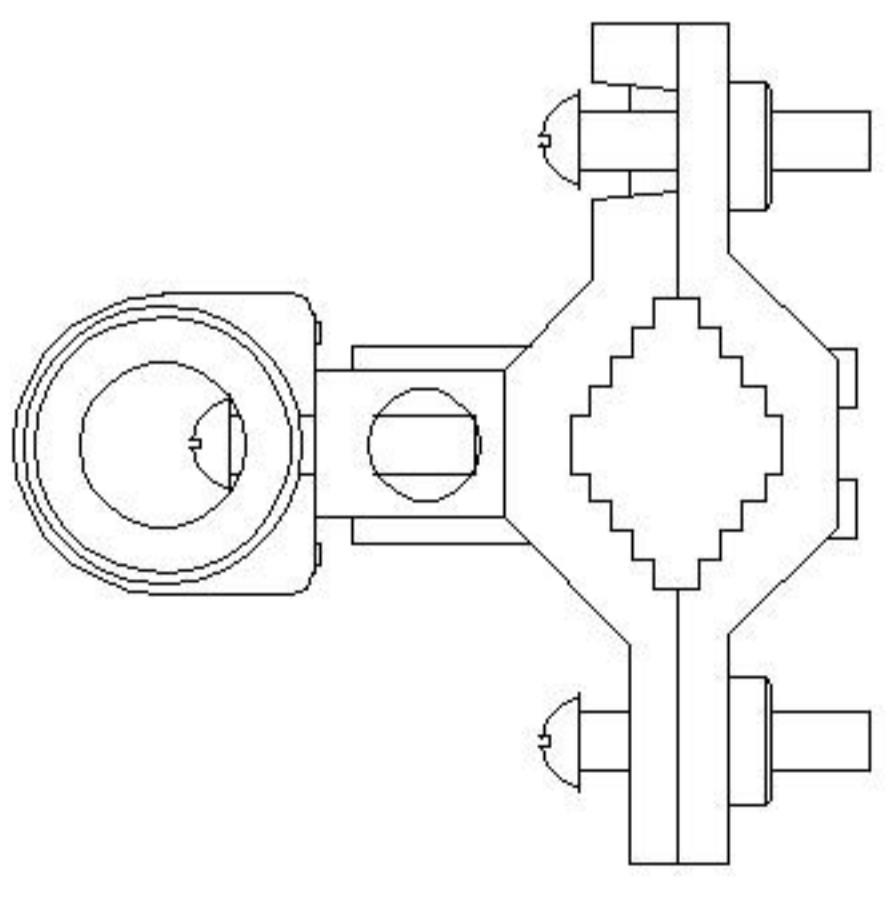
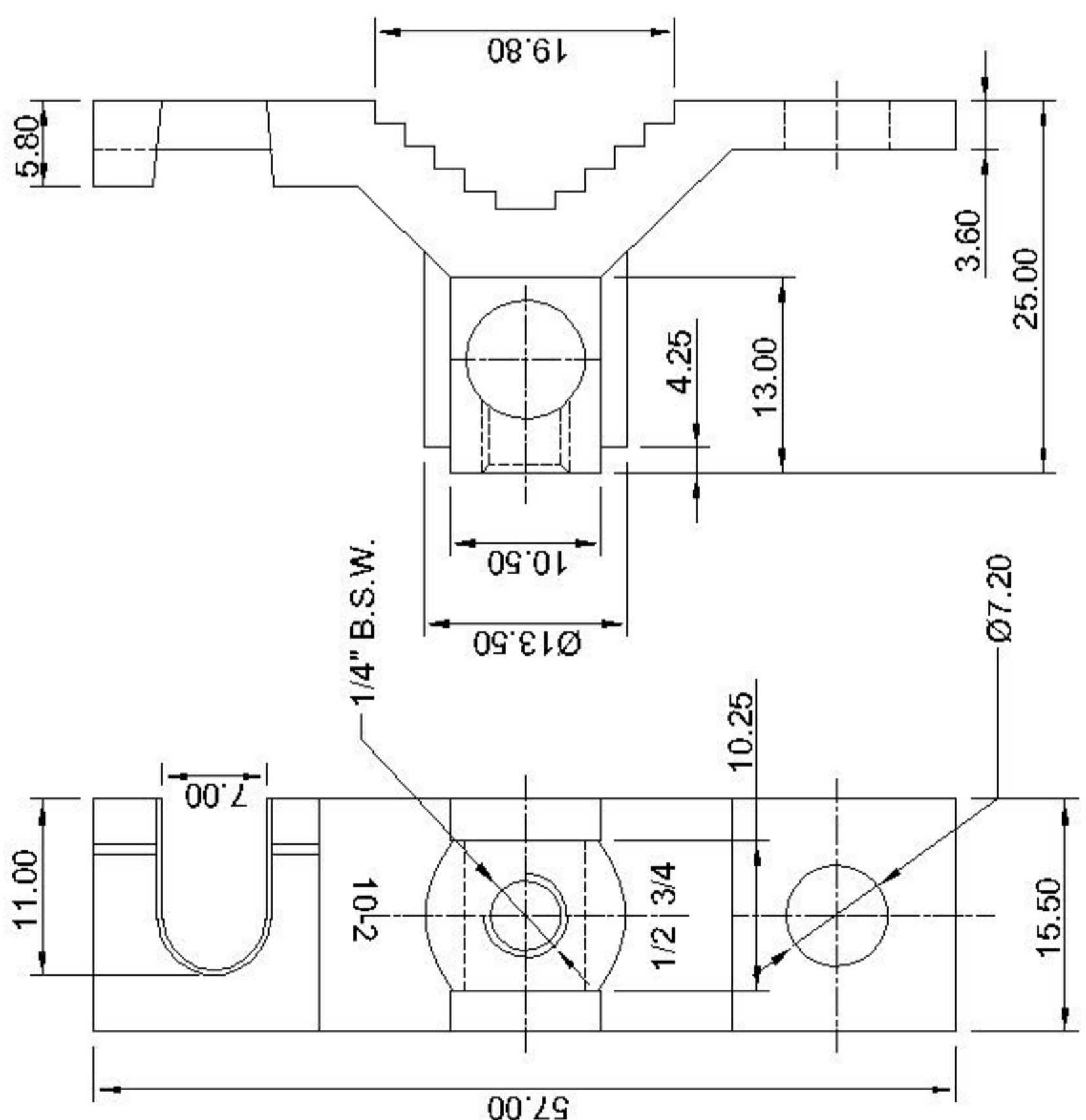
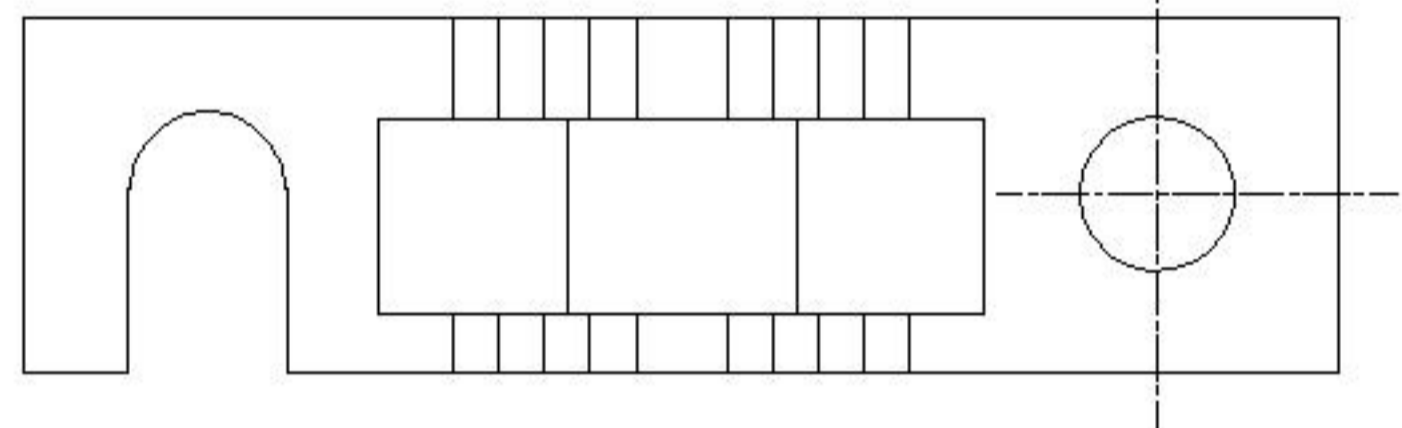
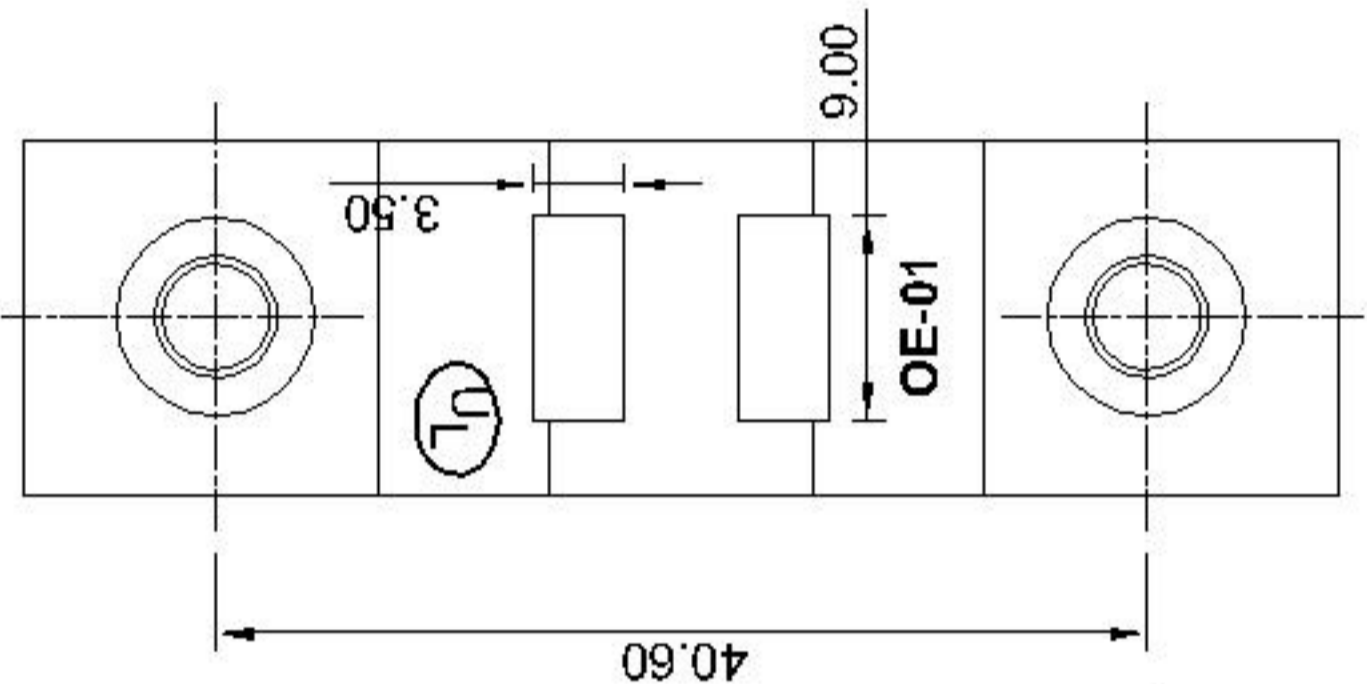
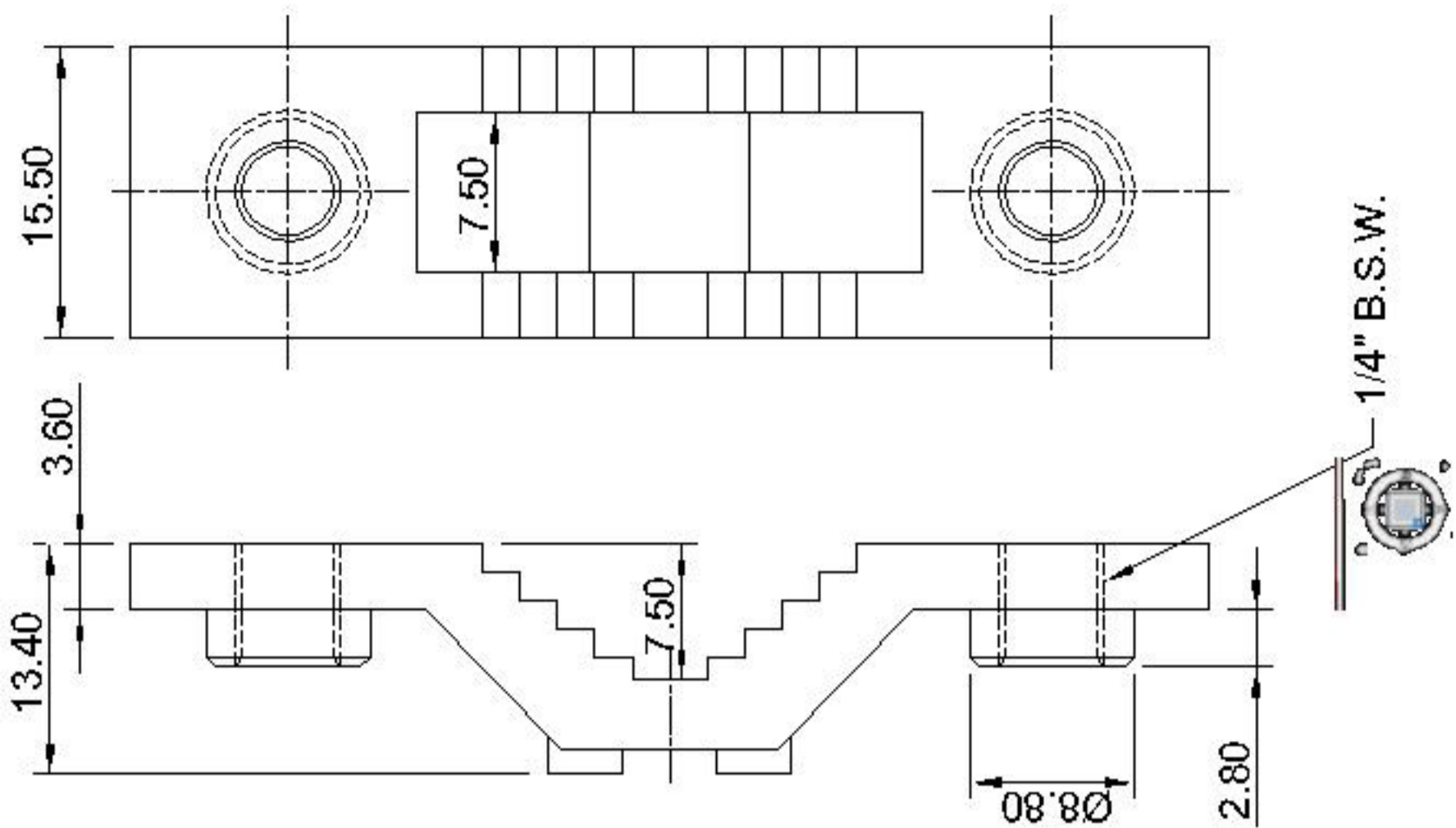
Box Qty 10

Certifications

UL Yes
cUL Yes
RoHS Yes

www.morrisproducts.com

Morris Products 53 Carey Road, Queensbury, NY 12804



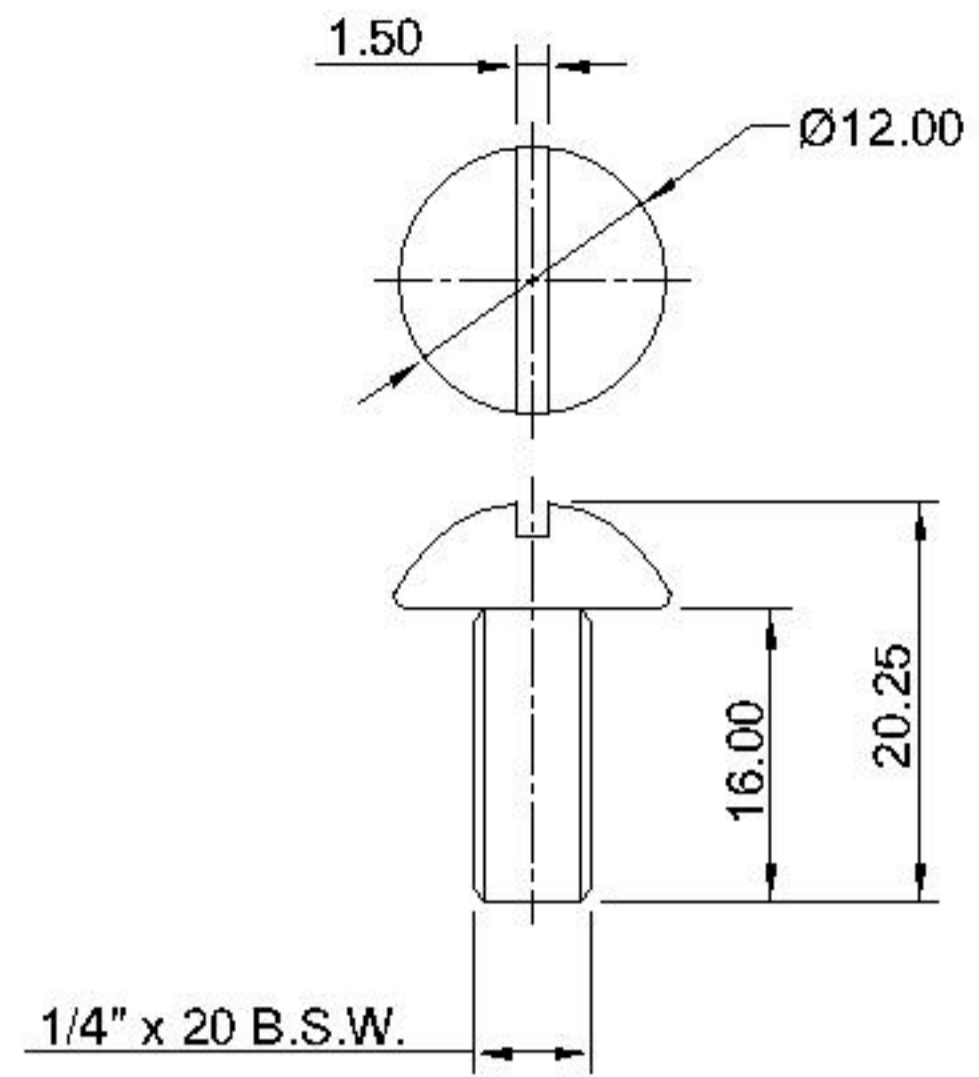
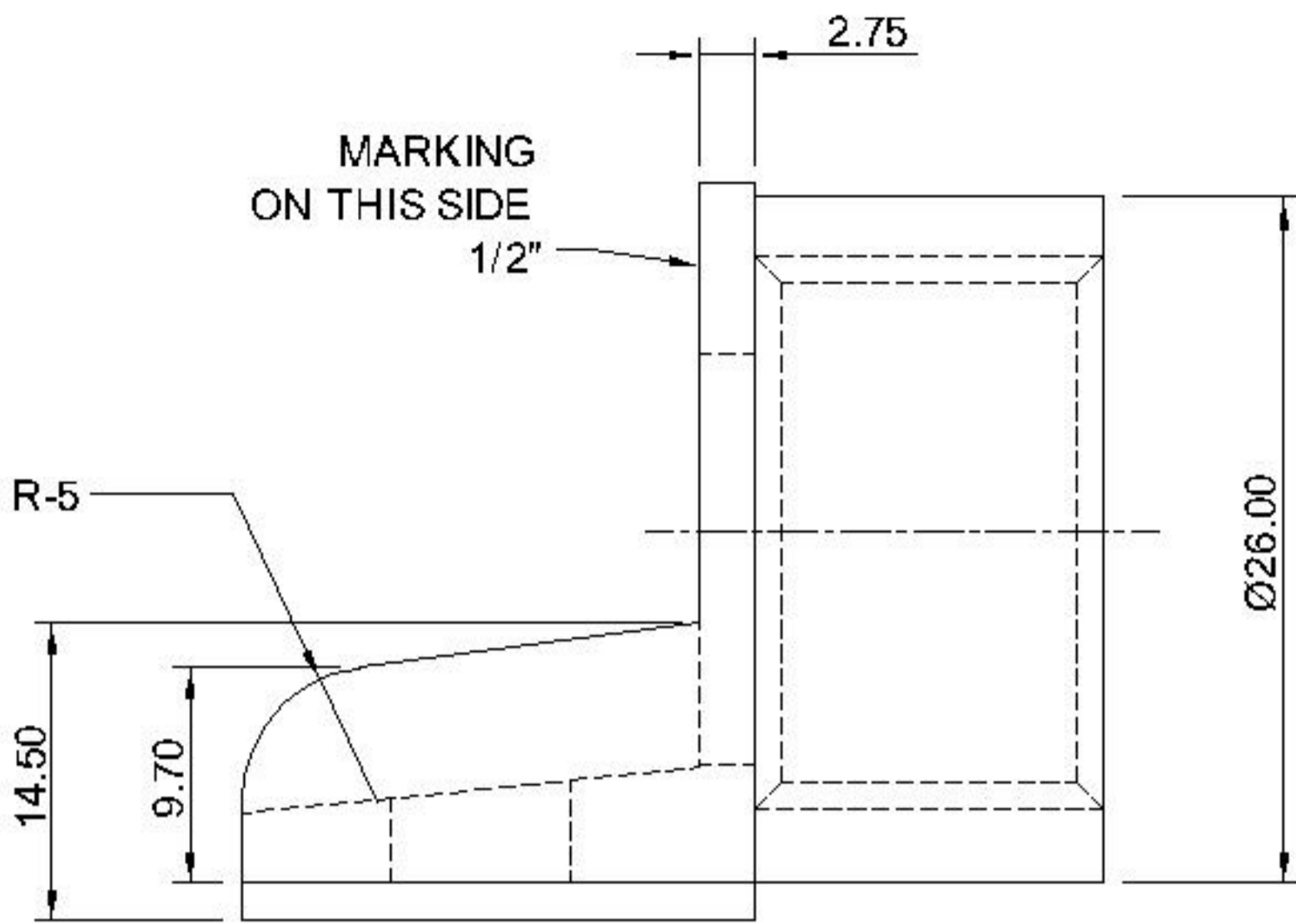
Morris Products Inc.

53 Carey Rd. Queensbury NY 12804

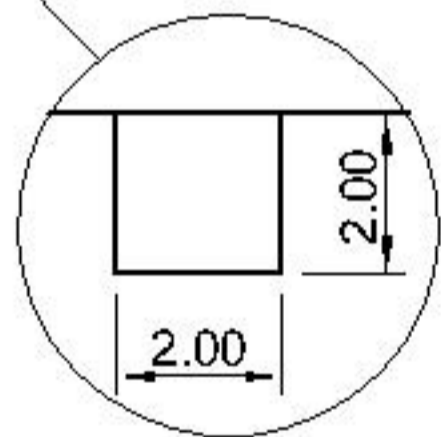
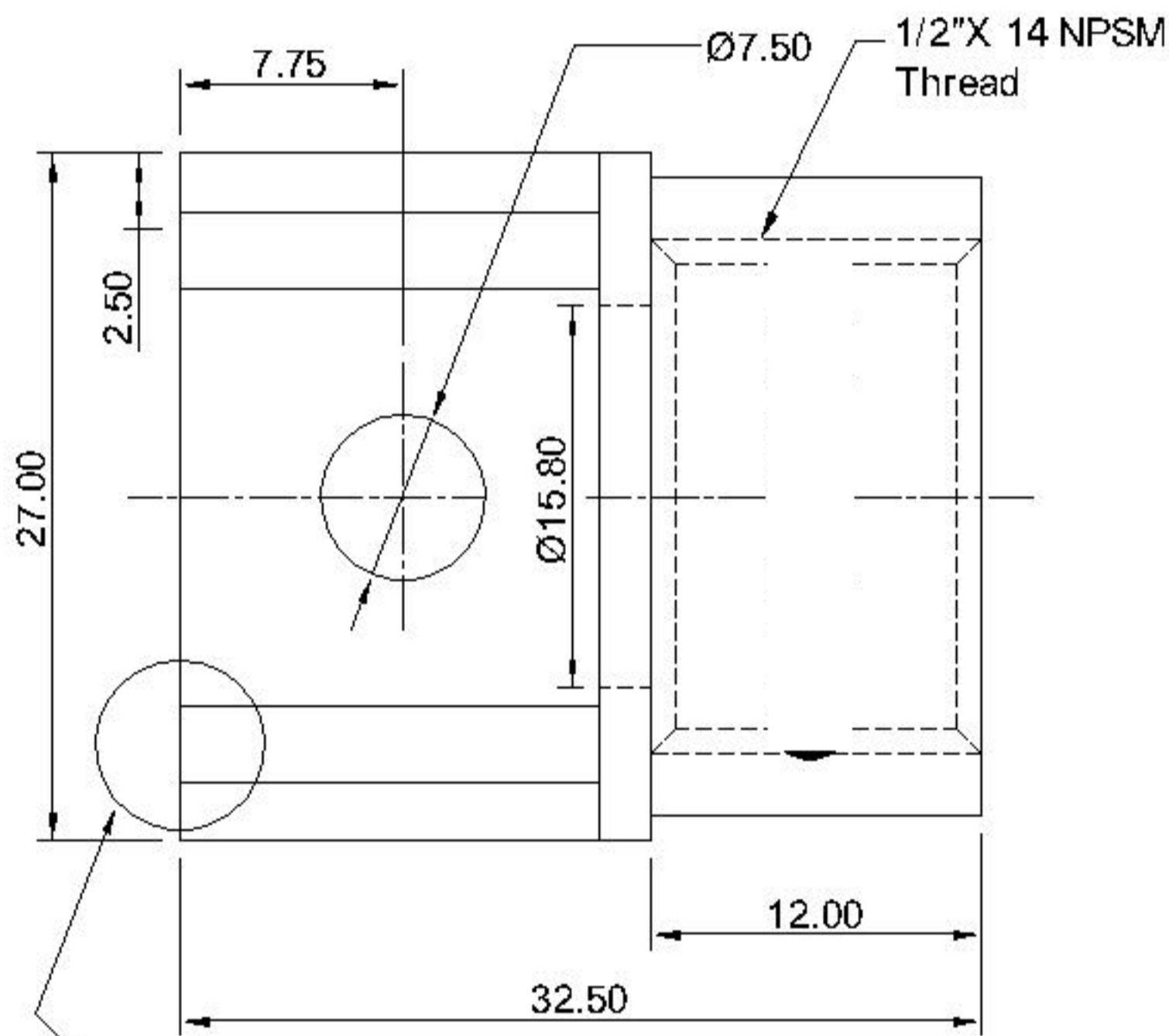
NAME	DATE
<i>(Signature)</i>	19/11/2002
V.G. Patel	19/11/2002
V.G. Patel	26/11/2002
MATERIAL-	Copper Alloy with copper above 80 %
TOLERANCE-	±0.50

TITEL- Pipe clamp 1/2" 3/4" 1" [Hub-1/2"]
 SCALE:-N.T.S. TREATMENT- Shot Blasted All dimensions are in mm

DRAWING NO.- 90601

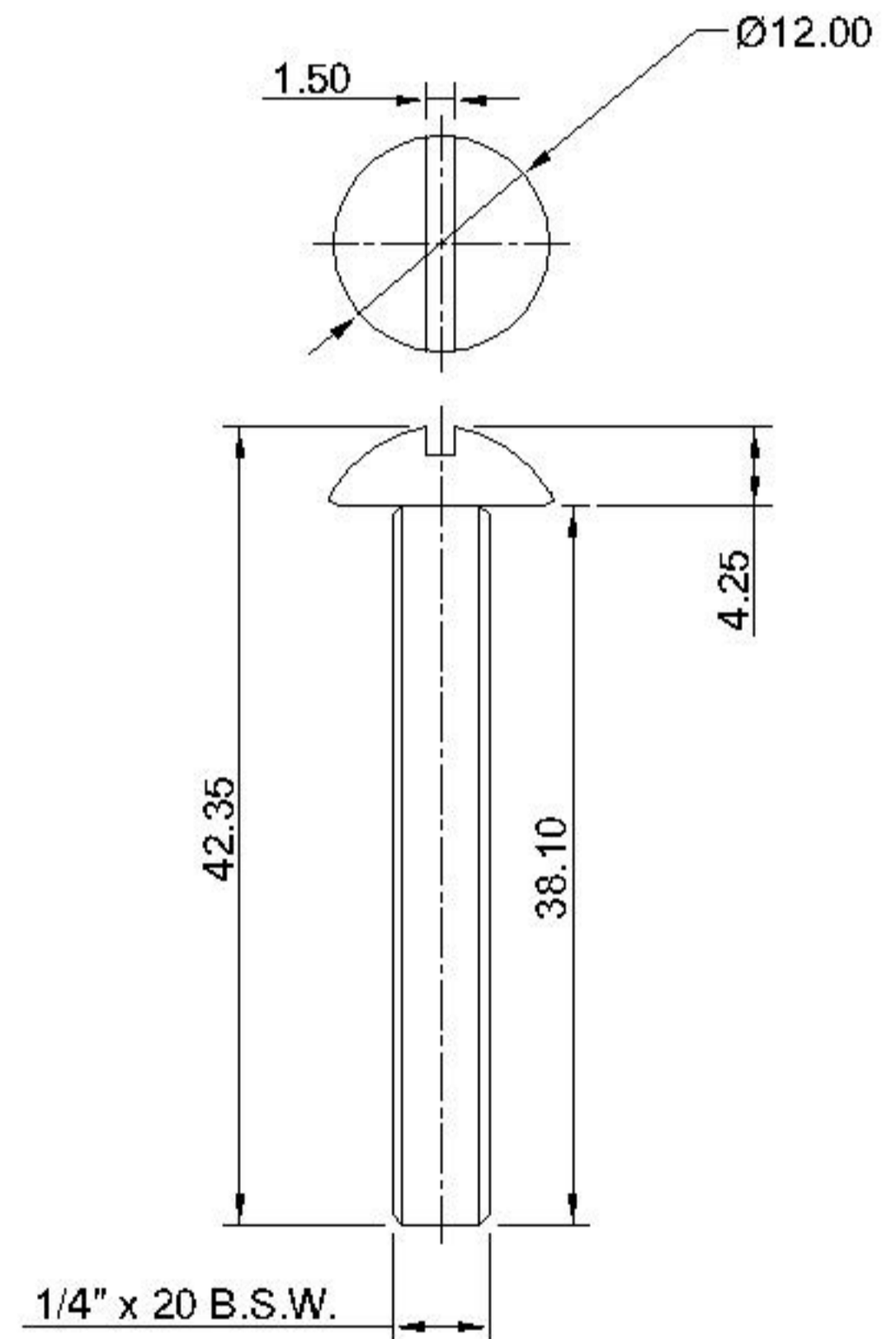


Top Screw



Part of bottom For Lock the part

Detail "a" Hub



Side Screw



Morris Products Inc.

53 Carey Rd. Queensbury NY 12804

	NAME	DATE
DRAWN		19/11/2002
CHECKED	R.S.Gada	19/11/2002
APPROVED	R.S.Gada	26/11/2002
MATERIAL-	Copper Alloy with copper above 80 % Screw-Mild steel B2P	
TOLERANCE-	±0.50	

Scale:-NTS TITEL- Pipe clamp 1/2" 3/4" 1" [Hub-1/2"]

TREATMENT- Shot Blasted

All dimensions are in mm

DRAWING NO.- 90601-B