



Catalog Number See Table
UPC Number
Description Nylon Cable Gland
 Right Angle



Features

- Internal ratchet provides self-locking against vibration
- ‘Collet’ design of body accommodates various size cords, cables, tubing, etc.
- Seal & clamp system allows the cord connector to tighten in a circular sequence on the sealing ring to give outstanding strain relief without twisting the cable
- Weatherproof
- NPT Thread

Material: Nylon 6/6
Flammability: UL 94V-2

Dimension Information

Length: See Table
Width: See Table

Specifications

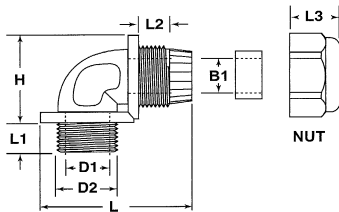
Temperature Rating:
Voltage Rating: N/A
Flammability Rating: UL 94V-2

Packaging

Bag Qty 10

Certifications

UL UR Listed
 CSA
 ROHS



Cat No.	NPT Thread	Cable Range	Mounting Hole D1	D2	B1	L1	L2	L3	L	H	Bag Qty
22582	NPT 3/8"	.02-.35	0.47	0.65	0.37	0.46	0.39	0.66	1.91	1.18	10
22584	NPT 1/2"	.39-.51	0.55	0.83	0.51	0.58	0.46	0.72	2.03	1.23	10
22586	NPT 3/4"	.51-.63	0.76	1.04	0.65	0.58	0.49	0.88	2.54	1.64	10
22588	NPT 1 1/4"	.87-1.14	1.24	1.64	1.15	0.74	0.64	1.22	3.35	2.09	10

1 • 2 • 3 • 4 •

A

B

C

D

E

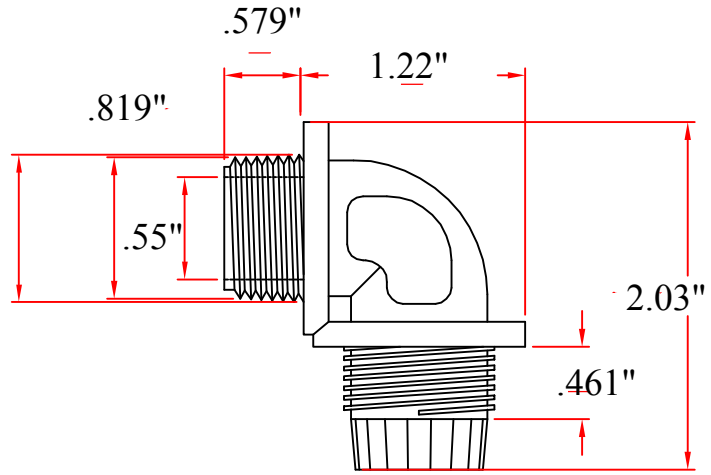
F

BODY

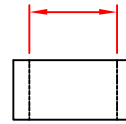
CLAW

SEALS

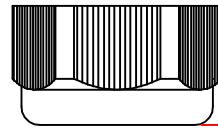
NUT



.512"



.724"



Morris Products
Queensbury NY

MATERIAL UL 94V-2
NYLON 66

ITEM NO. 22584

SCALE

Black

NAME

Right Angle Cable Gland



(• •)



01-03-2008
DATE

REVISIONS

K001

R.NO.