



**Catalog Number** See Table  
**UPC Number**  
**Description** Nylon Cable Gland



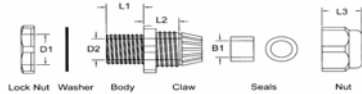
**Features**

- Internal ratchet provides self-locking against vibration
- 'Collet' design of body accommodates various size cords, cables, tubing, etc.
- Seal & clamp system allows the cord connector to tighten in a circular sequence on the sealing ring to give outstanding strain relief without twisting the cable
- Weatherproof
- Not NPT Thread

**Material:** Nylon 6/6  
**Flammability:** UL 94V-2

**Dimension Information**

**Length:** See Table  
**Width:** See Table



**Specifications**

**Temperature Rating:**  
**Voltage Rating:** N/A  
**Flammability Rating:**

**Packaging**

**Bag Qty** 10

**Certifications**

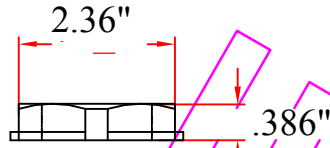
UL UR Listed 22534-22542  
 CSA  
 ROHS

Cat No.	Mounting Hole D1	Cable Range	(MM)	D2	B1	L1	L2	L3	Bag Qty
22532	0.47	.12-.26	1.25	0.33	0.24	0.31	0.48	0.52	10
22534	0.63	.20-.39	1.5	0.43	0.38	0.62	0.57	0.66	10
22536	0.79	.39-.55	1.5	0.58	0.51	0.59	0.78	0.72	10
22538	0.98	.51-.71	1.5	0.73	0.65	0.59	0.74	0.88	10
22540	1.26	.71-.98	1.5	1.02	0.92	0.58	0.8	1.03	10
22542	1.57	.87-1.26	1.5	1.3	1.2	0.7	0.92	1.24	10
22544	1.97	1.18-1.50	1.5	1.62	1.5	0.68	1.01	1.24	10
22546	2.4	1.34-1.73	1.5	2.13	1.73	0.73	1.06	1.28	10
22548	2.48	1.65-1.97	1.5	2.2	1.95	1	1.16	1.43	10

1                      2                      3                      4

A  
B  
C  
D  
E  
F

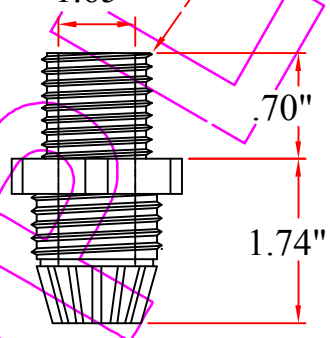
LOCK NUT



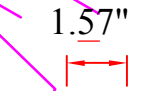
WASHER



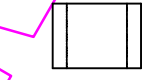
BODY



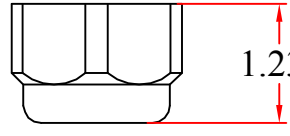
CLAW



SEALS



NUT



External thread  
M50x1.5

SAMPLE

MATERIAL- UL 94V-2  
NYLON 66

ITEM NO. 22544

SCALE

Color Black

NAME NYLON CABLE GLAND



Morris Products  
Queensbury NY



DATE 05-13-2009

REVISIONS K002

R.NO.