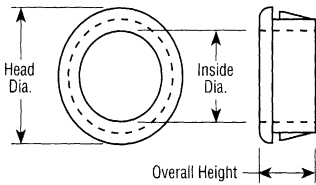




Catalog Number See Table
UPC Number
Description Nylon Snap Bushings



Features

- Durable Nylon 6/6 Material
- Snap-In Design for ease of Installation
- Provides abrasion & Insulation Protection

General

Material: Nylon 6/6
Flammability: UL94V-2

Dimension Information

Mounting Hole Dia: See Table
Inside Dia: See Table
Head Dia: See Table
Height: See Table

Specifications

Temperature Rating
Voltage Rating 600
Flammability Rating UL 94V-2

Packaging

Bag Qty 100

Certifications

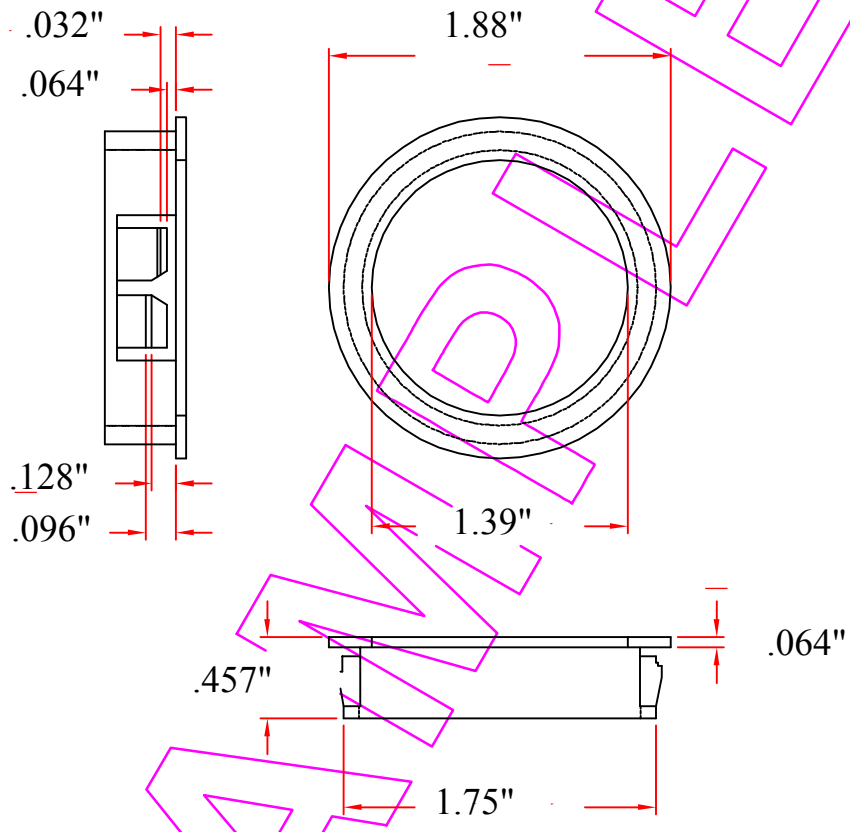
UL Yes
CSA Yes
ROHS Yes

Cat No.	Mounting Hole Diameter	Inside Diameter	Head Diameter	Overall Height	Bag Qty
22311	0.28	0.22	0.34	0.24	10
22312	0.31	0.2	0.37	0.31	10
22314	0.37	0.25	0.47	0.41	10
22316	0.5	0.32	0.57	0.41	10
22318	0.63	0.48	0.73	0.41	10
22320	0.75	0.56	0.85	0.41	10
22322	0.87	0.68	0.94	0.45	10
22324	0.99	0.75	1.1	0.45	10
22326	1.17	0.95	1.31	0.45	10
22328	1.5	1.14	1.62	0.45	10
22330	1.72	1.39	1.88	0.46	10



1 • 2 • 3 • 4 •

A
•
B
•
C
•
D
•
E
•
F
•



		MATERIAL: UL 94V-2		ITEM NO. 22330	
		NYLON 66			
SCALE		Black		NAME: SNAP BUSHING	
△	(• •)	Morris Products	△	10-26-2007	REVISIONS K001
		Queensbury NY		DATE	R.NO.