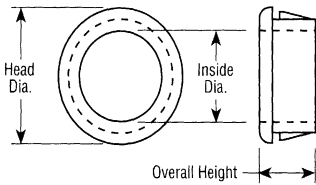




**Catalog Number** See Table  
**UPC Number**  
**Description** Nylon Snap Bushings



**Features**

- Durable Nylon 6/6 Material
- Snap-In Design for ease of Installation
- Provides abrasion & Insulation Protection

**General**

**Material:** Nylon 6/6  
**Flammability:** UL94V-2

**Dimension Information**

**Mounting Hole Dia:** See Table  
**Inside Dia:** See Table  
**Head Dia:** See Table  
**Height:** See Table

**Specifications**

**Temperature Rating**  
**Voltage Rating** 600  
**Flammability Rating** UL 94V-2

**Packaging**

**Bag Qty** 100

**Certifications**

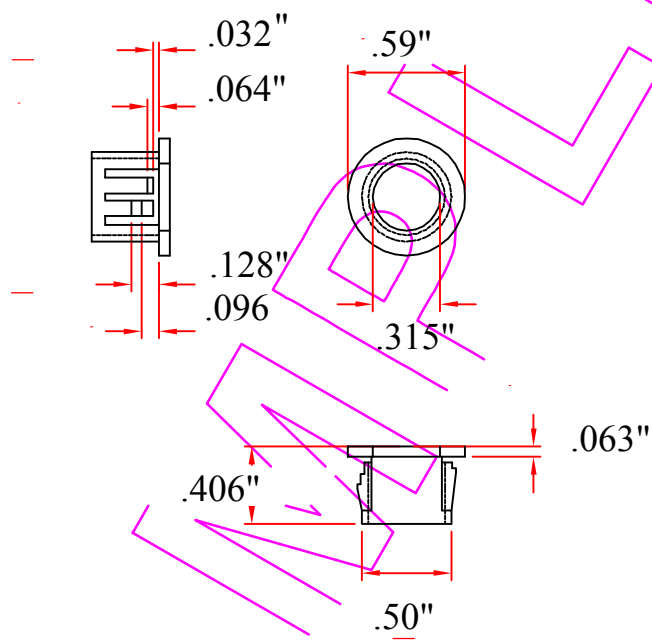
**UL** Yes  
**CSA** Yes  
**ROHS** Yes

Cat No.	Mounting Hole Diameter	Inside Diameter	Head Diameter	Overall Height	Bag Qty	
22311	0.28	0.22	0.34	0.24	10	
22312	0.31	0.2	0.37	0.31	10	
22314	0.37	0.25	0.47	0.41	10	
22316	0.5	0.32	0.57	0.41	10	
22318	0.63	0.48	0.73	0.41	10	
22320	0.75	0.56	0.85	0.41	10	
22322	0.87	0.68	0.94	0.45	10	
22324	0.99	0.75	1.1	0.45	10	
22326	1.17	0.95	1.31	0.45	10	
22328	1.5	1.14	1.62	0.45	10	
22330	1.72	1.39	1.88	0.46	10	



1 • 2 • 3 • 4 •

A  
B  
C  
D  
E  
F



SAMPLE

Morris Products		MATERIAL	UL 94V-2	ITEM NO.	22316
Queensbury NY			NYLON 66		
SCALE			Black	NAME	SNAP PLUG
△	(. .)	TOLERANCE ±0.5mm		△	02-15-2006
				DATE	REVISIONS
					K002
					R.NO.