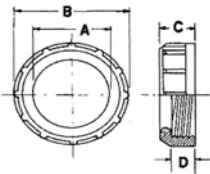




Catalog Number 21732 - 21743
UPC Number
Description Insulating Bushings
 Threaded Plastic



Features

- Polypropelene
- NPT Threads for Conduit applications
- Excellent Torque, Impact & Temperature Characteristics

General

Material: Polypropelene

Dimension Information

See Engineering Dwg

Specifications

Flammability Rating: UL 94V-2
Temperature Rating: 105°C

Packaging

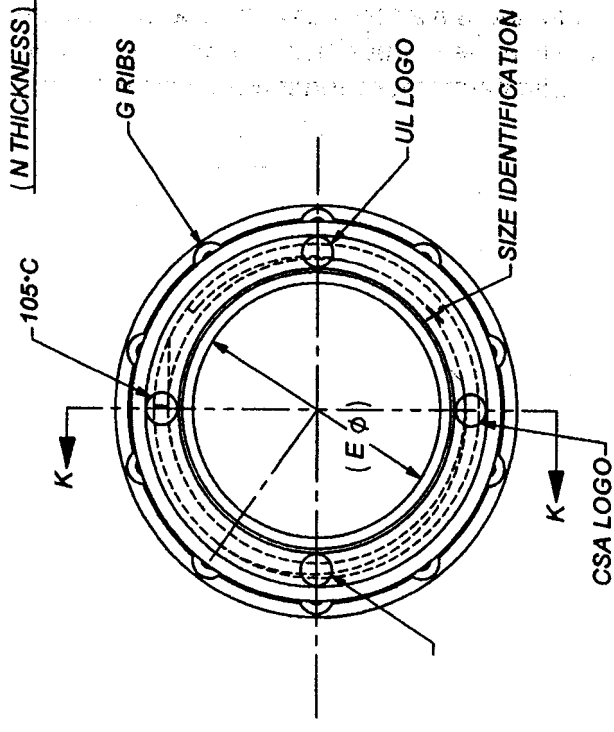
Bag Qty See Table

Certifications

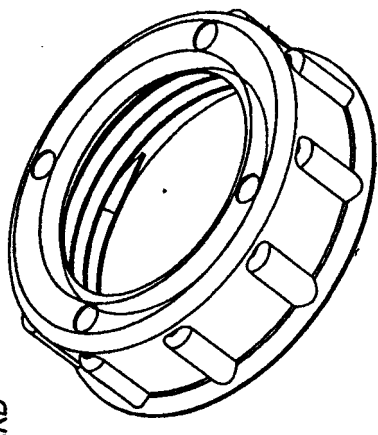
UL Yes
CSA Yes
ROHS

Cat No.	Size	A	B	C	D	Bag Qty
21732	1/2"	0.593	1.063	0.390	0.343	100
21733	3/4"	0.796	1.312	0.390	0.328	100
21734	1"	1.000	1.562	0.562	0.468	50
21735	1-1/4"	1.328	1.921	0.562	0.468	50
21736	1-1/2"	1.546	2.187	0.562	0.468	50
21737	2"	2.000	2.687	0.625	0.562	25
21738	2-1/2"	2.406	3.187	0.671	0.718	20
21739	3"	3.000	3.843	0.750	0.687	---
21740	3-1/2"	3.406	4.359	0.750	0.687	---
21741	4"	3.906	4.843	0.765	0.703	---
21742	5"	4.921	6.375	1.000	0.843	---
21743	6"	5.890	7.500	1.000	0.843	---

CONFIDENTIAL
 THE INFORMATION CONTAINED IN THIS DRAWING IS THE SOLE PROPERTY OF
 JAM PLASTIC, INC. ANY REPRODUCTION IN PART OR WHOLE WITHOUT
 THE WRITTEN PERMISSION OF JAM PLASTIC, INC. IS PROHIBITED.



A THREAD
 NATIONAL STANDARD
 STRAIGHT PIPE



SECTION K-K

DWG #	SIZES	L DIA	E DIA	N THICK	A THREAD	G RIBS	NOTES
	6" PLASTIC BUSHING	7.06	5.94	0.77	6" - 8	12	21743
	5" PLASTIC BUSHING	5.98	4.94	0.77	5" - 8	12	21742
	4" PLASTIC BUSHING	4.93	3.82	0.68	4" - 8	12	21741
	3 1/2" PLASTIC BUSHING	4.41	3.35	0.68	3 1/2" - 8	12	21740
	3" PLASTIC BUSHING	3.90	2.90	0.68	3" - 8	12	21739
	2 1/2" PLASTIC BUSHING	3.25	2.33	0.63	2 1/2" - 8	12	21738
	2" PLASTIC BUSHING	2.64	1.95	0.54	2" - 11 1/2	12	21737
	1 1/2" PLASTIC BUSHING	2.18	1.52	0.48	1 1/2" - 11 1/2	12	21736
	1 1/4" PLASTIC BUSHING	1.93	1.30	0.48	1 1/4" - 11 1/2	8	21735
	1" PLASTIC BUSHING	1.63	1.00	0.49	1" - 11 1/2	8	21734
	3/4" PLASTIC BUSHING	1.29	0.78	0.40	3/4" - 14 7	6	21733
	1/2" PLASTIC BUSHING	1.05	0.60	0.36	1/2" - 14 7	6	21732

Morris Products
 Queensbury NY

INSULATING PLASTIC
 BUSHINGS 1/2" THRU 6"

REV. NO. **B** 00010270
 SCALE NONE
 SHEET 1 OF 1
 REV. A RES. 2 **260**

UNLESS OTHERWISE SPECIFIED DIMENSIONS ARE IN INCHES DECIMALS ANGLES .XX ± .010 XX ± 0.5 XXX ± .005	DO NOT SCALE DRAWING CAD GENERATED DRAWING, DO NOT MANUALLY UPDATE	APPROVALS DATE DRAWN DATE CHECKED DATE	APP'D
CAD FILE	POLYPROPELENE	FINISH	GREY

REV.	BY	DATE	DESCRIPTION
1	1	OCT 08 01	RELEASED FOR APPROVAL
2			2.84 DMI WAS 2.85
3			2.33 DMI WAS 2.32
4			1.95 DMI WAS 1.96
5			0.54 DMI WAS 0.55
6			0.48 DMI WAS 0.48
7		DEC 12 01	1/2"-14, 3/4"-14, WAS 1/2"-8, 3/4"-3