



Catalog Number 12022
UPC Number 60198612022
Description Nylon Insulated Female/Male
 Piggyback Disconnect
 22-16



Features

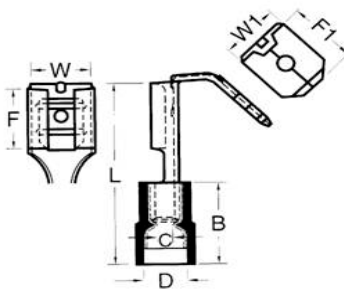
- Nylon Color Coded insulation for easy identification
- Manufactured from high strength copper alloy
- Electro-tin plated for corrosion resistance
- Expanded insulation eliminates strand “Hang Up”, provides strain relief & excellent UV, temperature and chemical resistance
- Wire range stamped on the surface for easy interpretation
- Brazed seams prevent splitting under maximum pressure
- Serrated barrel & extended crimp sleeve provides excellent pull-out force resistance & electrical contact

General

Insulation Type Nylon
Material Brass
Finish Electro-Tin Plated
Color Red
Wire Range 22-16
Tab Size .032 X .250

Dimension Information

T Inches (mm) 0.016
L Inches (mm) 0.906
B Inches (mm) 0.433
C Inches (mm) 0.067
D Inches (mm) 0.157
F Inches (mm) 0.315
F1 Inches (mm) 0.323
W Inches (mm) 0.26
W1 Inches (mm) 0.25



Specifications

Temperature Rating 105°C
Voltage Rating 600 V
Flammability Rating UL94V-O
Amp Rating

22 AWG	3 Amps
20 AWG	4 Amps
18 AWG	7 Amps
16 AWG	10 Amps

Packaging

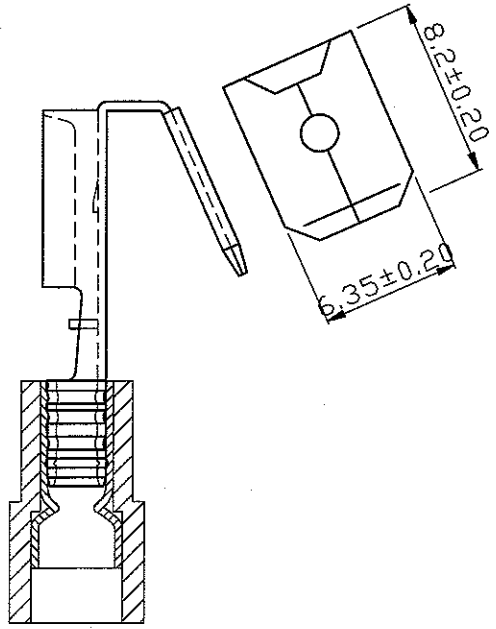
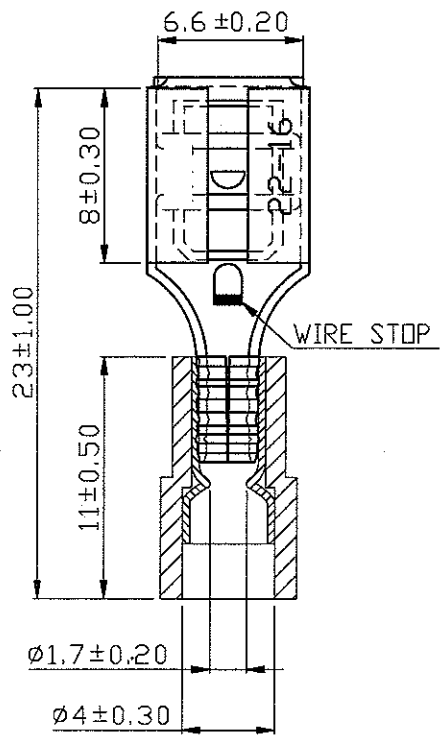
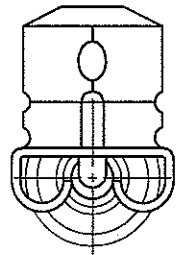
Bag Qty 100
Master Bag Qty 1000

Certifications

UL Yes
cUL Yes
RoHS Yes



REV	DESCRIPTION	DATE
-----	-------------	------



- NOTE :
1. MAXIMUM ELECTRIC CURRENT :

A.W.G.	22	20	18	16
AMP.	3	4	7	10
 2. MAXIMUM ELECTRICAL RATING : 105°C 600 VOLTS MAX.
 3. INSULATION MATERIAL : NYLON
 4. INSULATION COLOR : RED
 5. TERMINAL MATERIAL : BRASS
 6. WIRE RANGE : 22-16 A.W.G. (0.5-1.5 mm²)
 7. NEMA TAB : 0.032 inch * 0.250 inch (0.8 mm * 6.35 mm)
 8. DOUBLE CRIMP : WITH COPPER SLEEVE ON BARREL
 9. TERMINAL SURFACE TREATMENT : TIN PLATED
 10. TERMINAL THICKNESS : 0.40 mm

Tolerance Unless Otherwise Specified	
0 > 6 mm ± 0.20	ANGLE
6 > 18 mm ± 0.30	0° ° REF ±
18 > 30 mm ± 0.40	° ±
30 > 75 mm ± 0.50	° ±

NAME	NYLON-INSULATED DOUBLE CRIMP PIGGY BACK DISCONNECTORS			UNIT	
PART NO.	12022	MATERIAL	-----	APPROVE	
NUMBER		SCALE	SHEET	PAGE	CHECKED
DATE	2007/08/28	3/1	1-0	10F2	DRAWN

Morris Products Inc.