



Catalog Number 11820
UPC Number 60198611820
Description Nylon Insulated Flanged Fork Spade Terminal
 12-10 AWG



Features

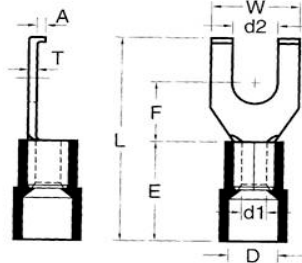
- Color Coded insulation for easy identification
- Manufactured from high strength copper alloy
- Electro-tin plated for corrosion resistance
- Easy entry expanded insulation eliminates strand “Hang Up”, increases the crimping rates and the reliability of the termination
- Wire range stamped on the surface for easy interpretation
- Brazed seams prevent splitting under maximum pressure
- Serrated barrel & flared insulation sleeve provides excellent contact & mechanical stress relief at insulation & barrel junction
- Flanged tabs provide increased pull-out resistance

General

Insulation Type Nylon
 Material Copper Tubular/Copper Plate
 Finish Electro-Tin Plated
 Color Yellow
 Wire Range 12-10
 Stud Size #10

Dimension Information

L Inches (mm) 1.004
 D Inches (mm) 0.252
 D1 Inches (mm) 0.134
 D2 Inches (mm) 0.209
 E Inches (mm) 0.512
 F Inches (mm) 0.244
 W Inches (mm) 0.299
 T Inches (mm) 0.039



Specifications

Temperature Rating 105°C
 Voltage Rating 600 V
 Flammability Rating UL94V-O
 Amp Rating 12 AWG 35 Amps
 10 AWG 50 Amps

Packaging

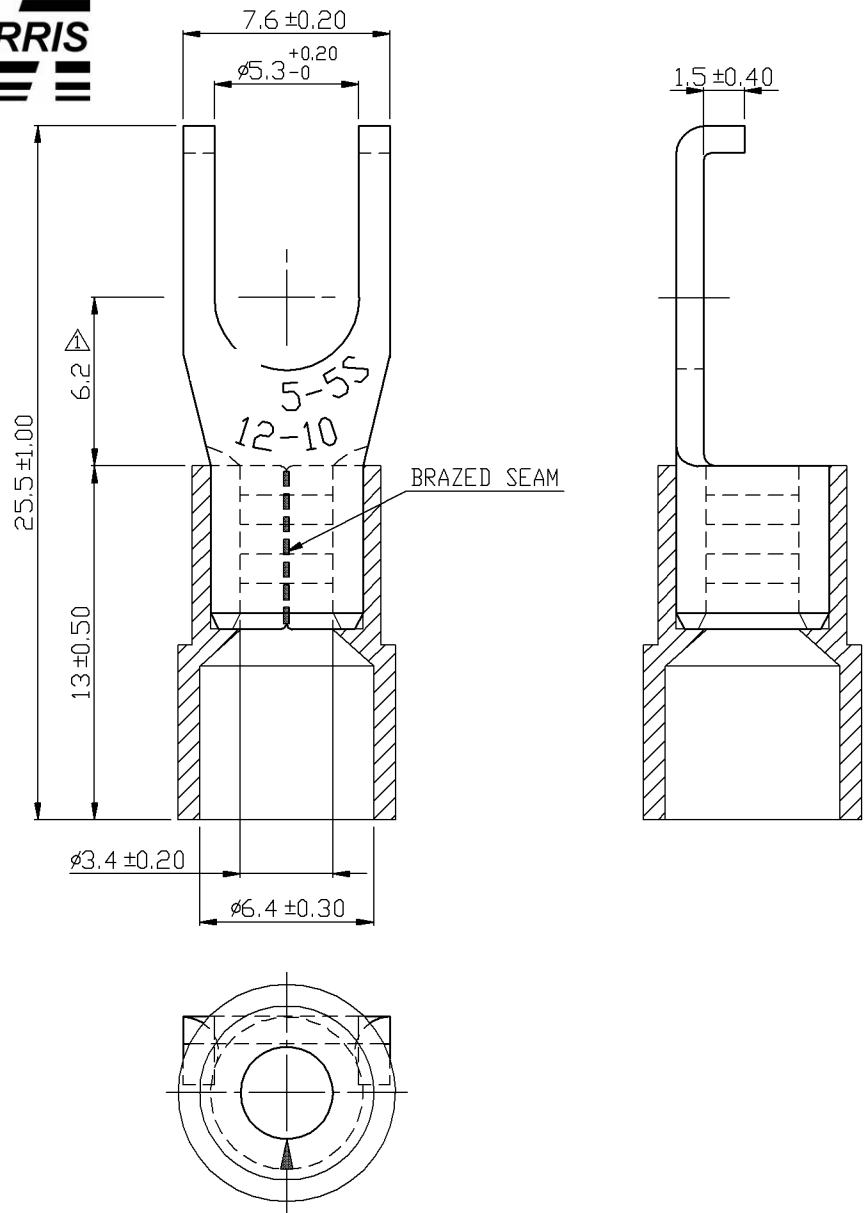
Bag Qty 100
 Master Bag Qty 1000

Certifications

UL Yes
 cUL Yes
 RoHS Yes

Morris Products 53 Carey Road, Queensbury, NY 12804

www.morrisproducts.com



REV	DESCRIPTION	DATE
△	RDK-97127	2009/10/22
△	RDK-98020	2009/10/22

NOTE :

- MAXIMUM ELECTRIC CURRENT :

A.W.G.	12	10	
AMP.	35	50	
- MAXIMUM ELECTRICAL RATING : 105°C 600 VOLTS MAX.
- INSULATION MATERIAL : NYLON
- INSULATION COLOR : YELLWO
- TERMINAL MATERIAL : COPPER
- WIRE RANGE : 12-10 A.W.G. (4-6 mm²)
- TERMINAL SURFACE TREATMENT : TIN PLATED
- TERMINAL THICKNESS : 1.0 mm

Tolerance Unless Otherwise Specified	
0 >	mm ± ANGLE
>	mm ± 0° ° REF ±
>	mm ± ° ° ±
>	mm ± ° ° ±

NAME	NYLON-INSULATED FLANGE SPADE TERMINALS			UNIT	mm	
PART NO.	11820	MATERIAL	-----	APPROVE		
NUMBER		SCALE	SHEET	PAGE	CHECKED	
DATE	2006/06/21	4/1	1-2	10F2	DRAWN	

Morris Products Inc.