



**Catalog Number** 11780  
**UPC Number** 60198611780  
**Description** Vinyl Insulated Flanged Fork Spade Terminal  
 12-10 AWG



**Features**

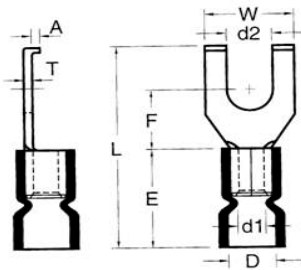
- Color Coded insulation for easy identification
- Manufactured from high strength copper alloy
- Electro-tin plated for corrosion resistance
- Easy entry expanded insulation eliminates strand “Hang Up”, increases the crimping rates and the reliability of the termination
- Wire range stamped on the surface for easy interpretation
- Butted seams prevent splitting under maximum pressure
- Serrated barrel & flared insulation sleeve provides excellent contact & mechanical stress relief at insulation & barrel junction
- Flanged tabs increase pull-out resistance

**General**

**Insulation Type** Vinyl  
**Material** Copper Tubular/Copper Plate  
**Finish** Electro-Tin Plated  
**Color** Yellow  
**Wire Range** 12-10  
**Stud Size** #10

**Dimension Information**

**L Inches (mm)** 1.047  
**D Inches (mm)** 0.248  
**D1 Inches (mm)** 0.134  
**D2 Inches (mm)** 0.209  
**E Inches (mm)** 0.555  
**F Inches (mm)** 0.244  
**W Inches (mm)** 0.299  
**T Inches (mm)** 0.039



**Specifications**

**Temperature Rating** 105°C  
**Voltage Rating** 600 V  
**Flammability Rating** UL94V-O  
**Amp Rating** 12 AWG 35 Amps  
 10 AWG 50 Amps

**Packaging**

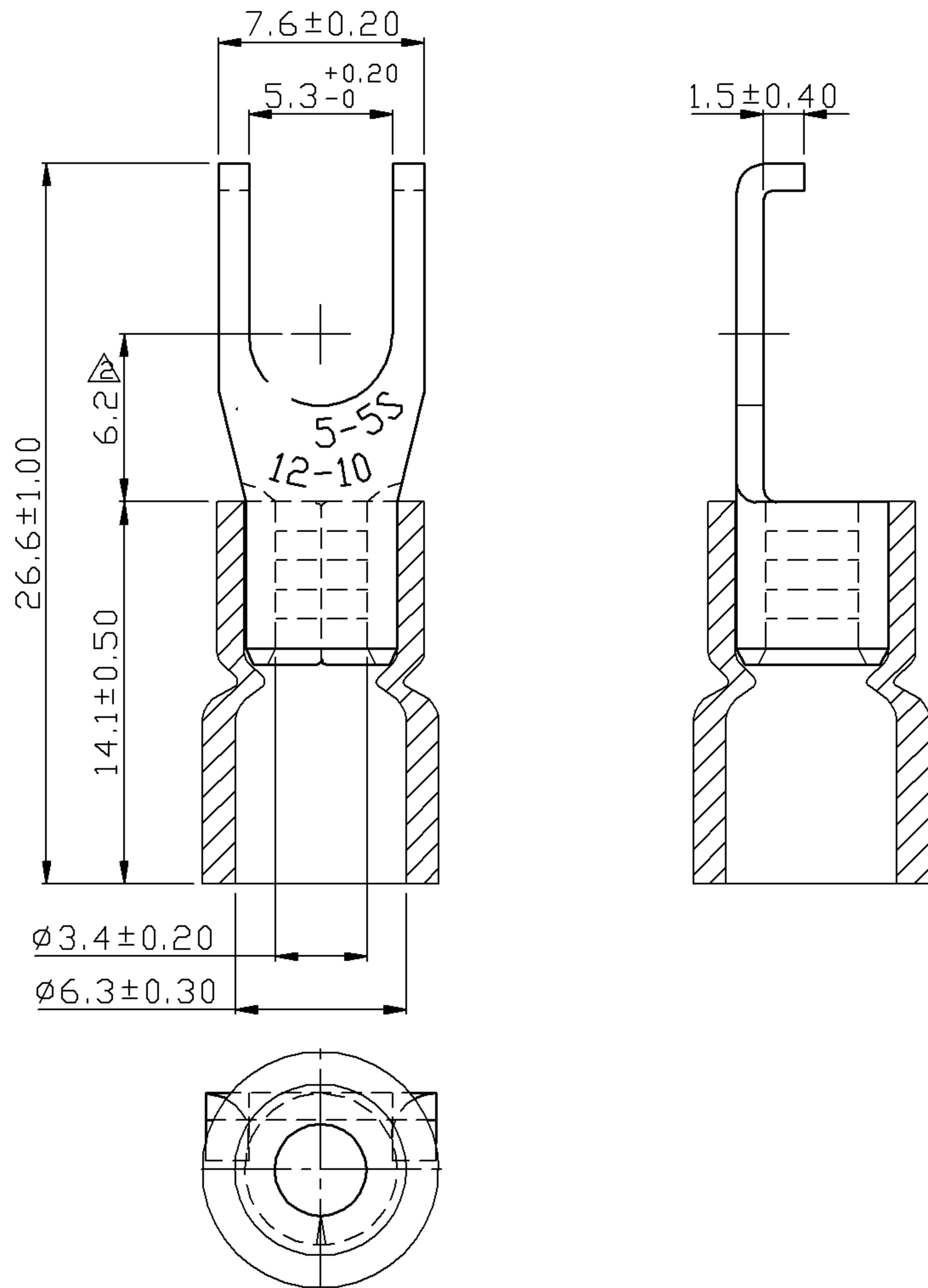
**Bag Qty** 100  
**Master Bag Qty** 1000

**Certifications**

**UL** Yes  
**cUL** Yes  
**RoHS** Yes



REV	DESCRIPTION	DATE
△	RDK-97048	2009/07/14
△	RDK-97127	2009/07/14
△	RDK-98020	2009/07/14



- NOTE :
1. MAXIMUM ELECTRIC CURRENT : 

A.W.G.	12	10	
AMP.	35	50	
  2. MAXIMUM ELECTRICAL RATING : 105°C 600 VOLTS MAX.
  3. INSULATION MATERIAL : VINYL
  4. INSULATION COLOR : YELLOW
  5. TERMINAL MATERIAL : COPPER
  6. WIRE RANGE : 12-10 A.W.G. ( 4-6 mm<sup>2</sup> )
  7. TERMINAL SURFACE TREATMENT : TIN PLATED
  8. TERMINAL THICKNESS : 1.00 mm

△ Tolerance Unless	
□ Otherwise Specified	
0 >	mm ± ANGLE
>	mm ± 0° ° REF ±
>	mm ± ° ° ±
>	mm ± ° ° ±

NAME	VINYL-INSULATED(EASY ENTRY) FLANGE SPADE TERMINALS			UNIT	mm	
PART NO.	11780	MATERIAL	-----	APPROVE		
NUMBER		SCALE	SHEET	PAGE	CHECKED	
DATE	2008/01/03	3/1	1-3	10F2	DRAWN	

Morris Products Inc.  
53 Carey Rd Queensbury, NY 12804