



Catalog Number 11730
UPC Number 60198611730
Description Nylon Insulated Fork Spade Terminal
 16-14 AWG

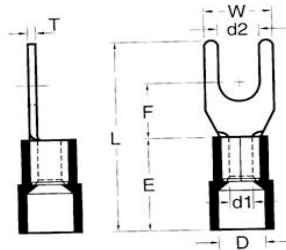


Features

- Color Coded insulation for easy identification
- Manufactured from high strength copper alloy
- Electro-tin plated for corrosion resistance
- Easy entry expanded insulation eliminates strand “Hang Up”, increases the crimping rates and the reliability of the termination
- Wire range stamped on the surface for easy interpretation
- Brazed seams prevent splitting under maximum pressure
- Serrated barrel & flared insulation sleeve provides excellent contact & mechanical stress relief at insulation & barrel junction

General

Insulation Type Nylon
 Material Copper Tubular/Copper Plate
 Finish Electro-Tin Plated
 Color Blue
 Wire Range 16-14
 Stud Size #8



Dimension Information

L Inches (mm) 0.866
 D Inches (mm) 0.161
 D1 Inches (mm) 0.091
 D2 Inches (mm) 0.169
 E Inches (mm) 0.433
 F Inches (mm) 0.256
 W Inches (mm) 0.319
 T Inches (mm) 0.031

Specifications

Temperature Rating 105°C
 Voltage Rating 600 V
 Flammability Rating UL94V-O
 Amp Rating 16 AWG 18 Amps
 14 AWG 30 Amps

Packaging

Bag Qty 100
 Master Bag Qty 1000

Certifications

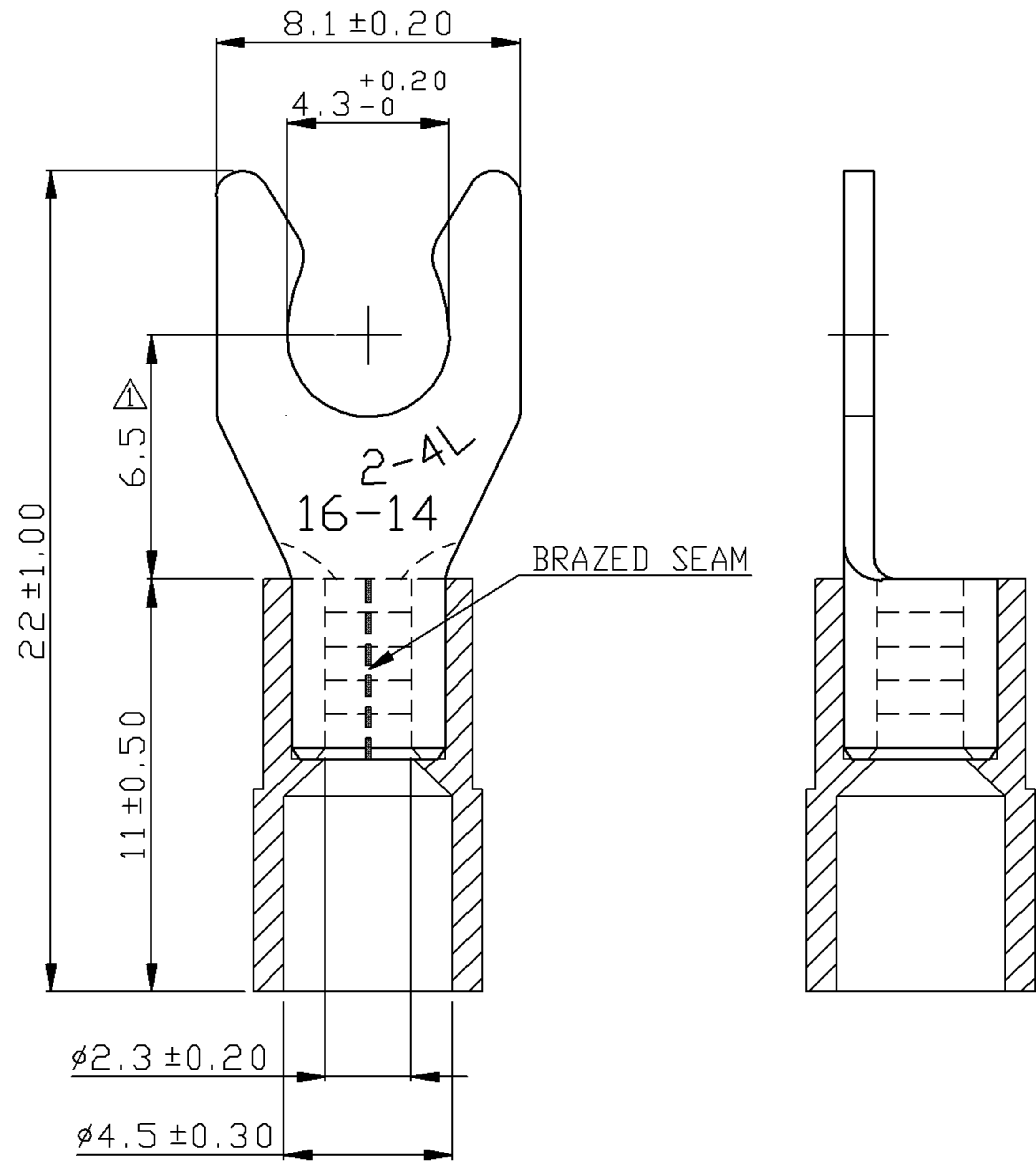
UL Yes
 cUL Yes
 RoHS Yes

Morris Products 53 Carey Road, Queensbury, NY 12804

www.morrisproducts.com



REV	DESCRIPTION	DATE
△	RDK-97127	2009/08/28
△	RDK-98020	2009/08/28



- NOTE :
1. MAXIMUM ELECTRIC CURRENT :

A.W.G.	16	14	
AMP.	18	30	
 2. MAXIMUM ELECTRICAL RATING : 105°C 600 VOLTS MAX.
 3. INSULATION MATERIAL : NYLON
 4. INSULATION COLOR : BLUE
 5. TERMINAL MATERIAL : COPPER
 6. WIRE RANGE : 16-14 A.W.G. (1.5-2.5 mm²)
 7. TERMINAL SURFACE TREATMENT : TIN PLATED
 8. TERMINAL THICKNESS : 0.80 mm

△ Tolerance Unless	
□ Otherwise Specified	
0 >	mm ± ANGLE
>	mm ± 0° ° REF ±
>	mm ± ° ° ±
>	mm ± ° ° ±

NAME	NYLON-INSULATED LOCKING SPADE TERMINALS				UNIT	mm	
PART NO.	11730	MATERIAL	-----	APPROVE			
NUMBER	...	SCALE	SHEET	PAGE	CHECKED		
DATE	2007/01/29	4/1	1-2	10F2	DRAWN		

Morris Products Inc.
53 Carey Rd Queensbury, NY 12804