



Catalog Number 11540
UPC Number 60198611540
Description Non-Insulated Fork Spade Terminals
 12-10 AWG

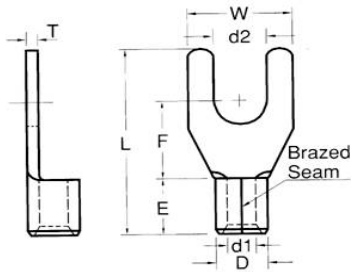
Features

Manufactured from high strength copper alloy
 Electro-tin plated for corrosion resistance
 Wire range stamped on the surface for easy interpretation
 Brazed seam prevents splitting under maximum pressure
 Serrated barrel provides excellent electrical contact and pull-out resistance characteristics at barrel



General

Insulation Type N/A
Material Copper
Finish Electro-tin plated
Color N/A
Wire Range 12-10 AWG
Stud Size 5/16



Dimension Information

L Inches (mm) 0.925
W Inches (mm) 0.551
D Inches (mm) 0.22
d1 Inches (mm) 0.134
d2 Inches (mm) 0.331
E Inches (mm) 0.236
F Inches (mm) 0.413
T Inches (mm) 0.039

Specifications

Temperature Rating 150°C
Voltage Rating 600 V
Flammability Rating N/A
Amp Rating 12 AWG 35 Amps
 10 AWG 50 Amps

Packaging

Bag Qty 100
Master Bag Qty 1000

Certifications

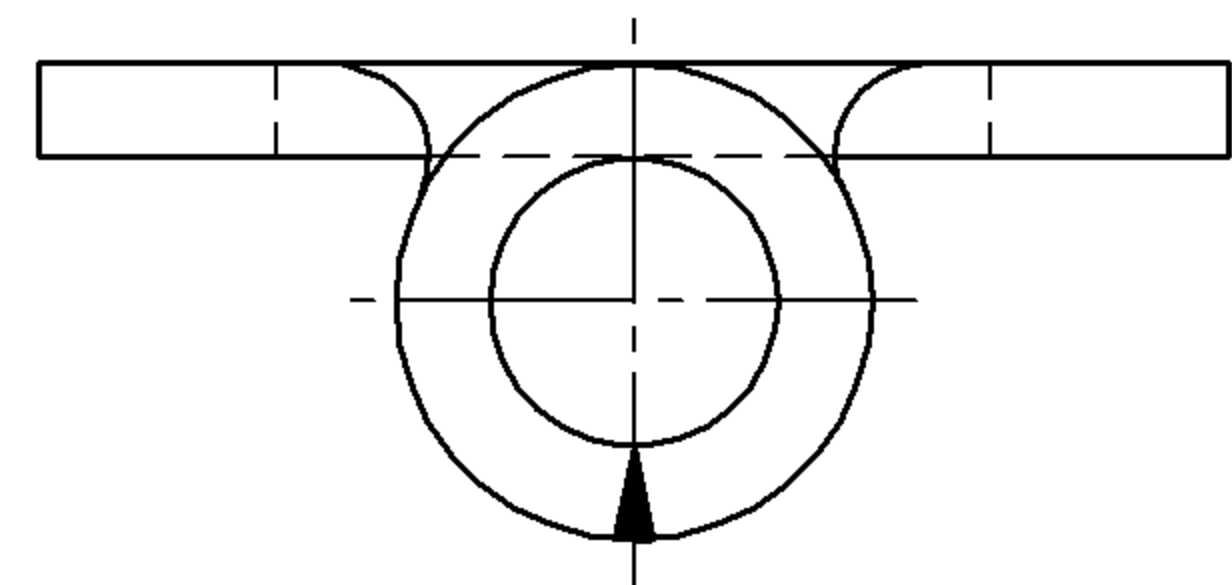
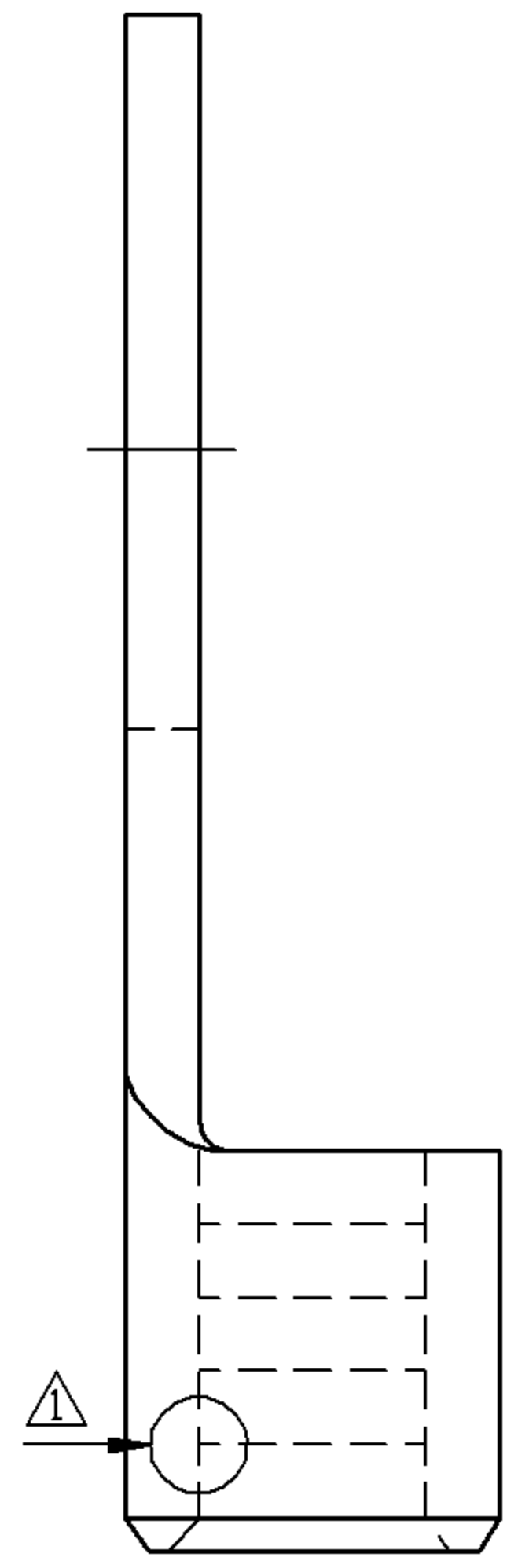
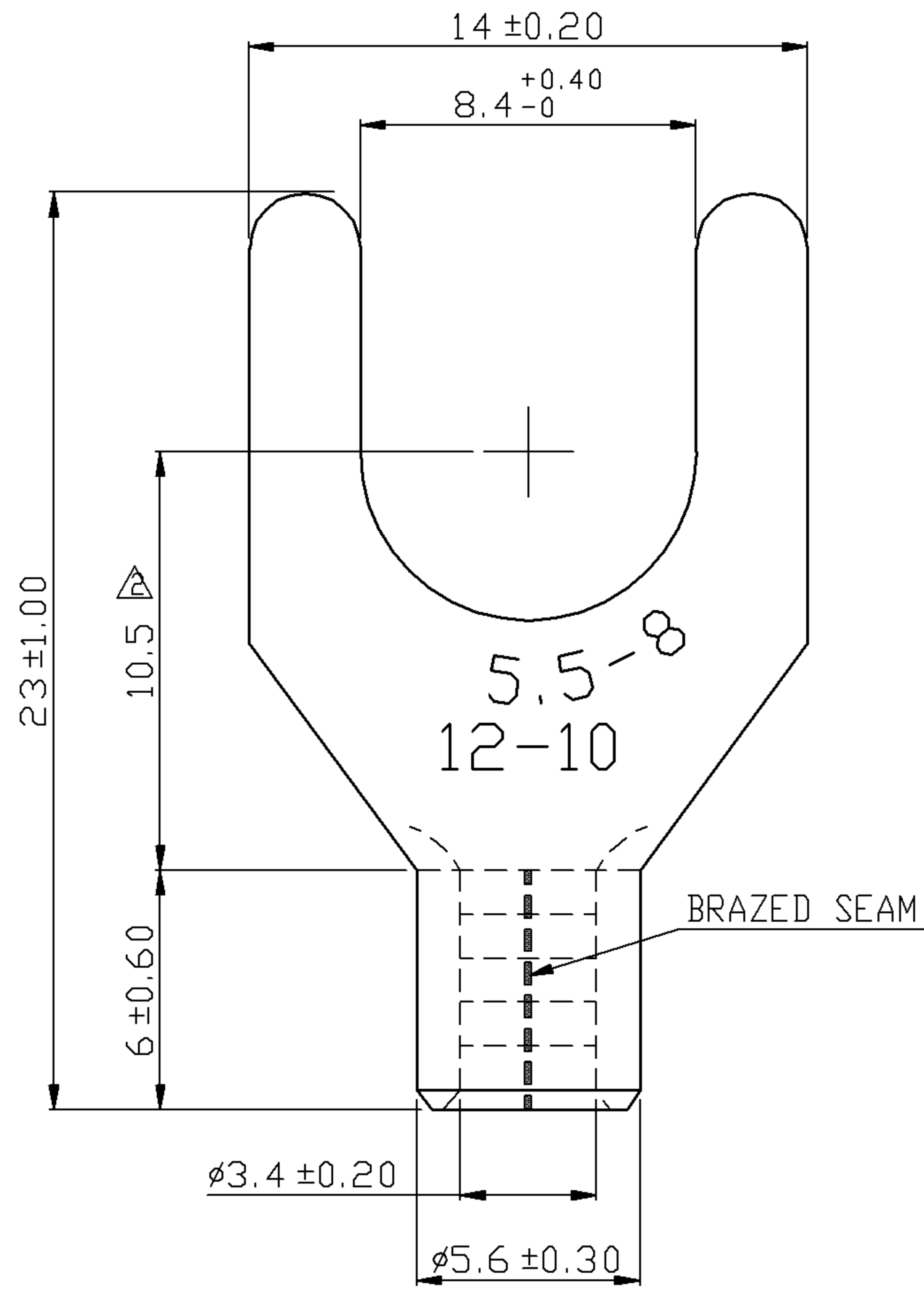
UL Yes
cUL Yes
RoHS Yes

Morris Products 53 Carey Road, Queensbury, NY 12804

www.morrisproducts.com



REV	DESCRIPTION	DATE
△	RDK-96036	2007/12/21
△	RDK-97127	2008/09/19
△	RDK-98020	2009/09/02



- NOTE :
1. MAXIMUM ELECTRIC CURRENT :

A.W.G.	12	10	
AMP.	35	50	
 2. WIRE RANGE : 12-10 A.W.G. (4 - 6 mm²)
 3. SURFACE TREATMENT : TIN PLATED
 4. THICKNESS : 1.00 mm

△	Tolerance Unless Otherwise Specified		
0 >	mm ±	ANGLE	
>	mm ±	0° >	° REF ±
>	mm ±	° >	° ±
>	mm ±	° >	° ±

NAME	NON-INSULATED SPADE TERMINALS				UNIT	mm	
PART NO.	11540	MATERIAL	COPPER	APPROVE			
NUMBER		SCALE	SHEET	PAGE	CHECKED		
DATE	2007/03/22	4/1	1-3	10F4	DRAWN		

Morris Products Inc.
 53 Carey Rd. Queensbury, NY 12804