



Catalog Number 11392
UPC Number 60198611392
Description Nylon Insulated Ring Terminals
 6 AWG

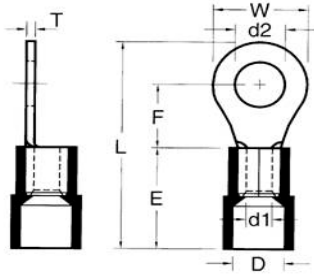


Features

- Color Coded insulation for easy identification
- Manufactured from high strength copper alloy
- Electro-tin plated for corrosion resistance
- Expanded Insulation funnel entry eliminates strand “Hang Up”, increases the crimping rates and the reliability of the termination
- Wire range stamped on the surface for easy interpretation
- Brazed seam prevent splitting under maximum pressure
- Serrated barrel & flared position of sleeve provides excellent contact & mechanical stress relief at insulation & barrel junction

General

Insulation Type Nylon
Material Copper
Finish Electro-tin plated
Color Blue
Wire Range 6 AWG
Stud Size #10



Dimension Information

L Inches (mm) 1.606
W Inches (mm) 0.472
D Inches (mm) 0.433
d1 Inches (mm) 0.228
d2 Inches (mm) 0.209
E Inches (mm) 0.846
F Inches (mm) 0.524
T Inches (mm) 0.059

Specifications

Temperature Rating 105°C
Voltage Rating 600 V
Flammability Rating UL94V-O
Amp Rating 8 AWG 70 Amps

Packaging

Bag Qty 100
Master Bag Qty 1000

Certifications

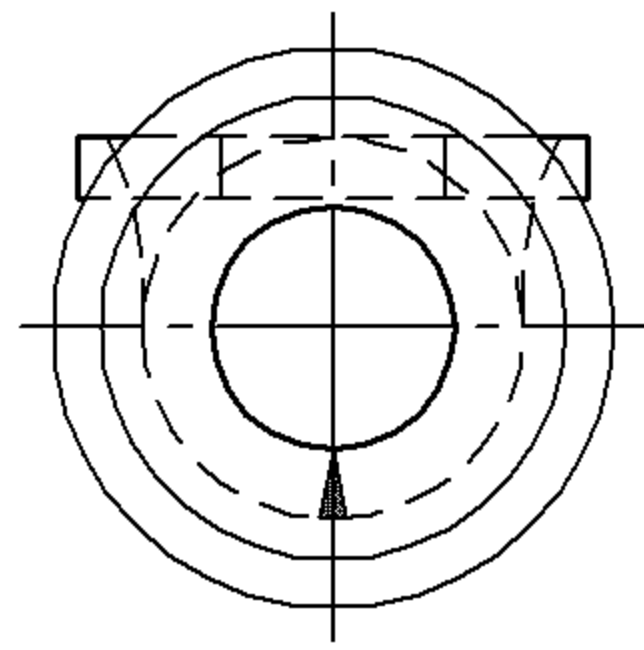
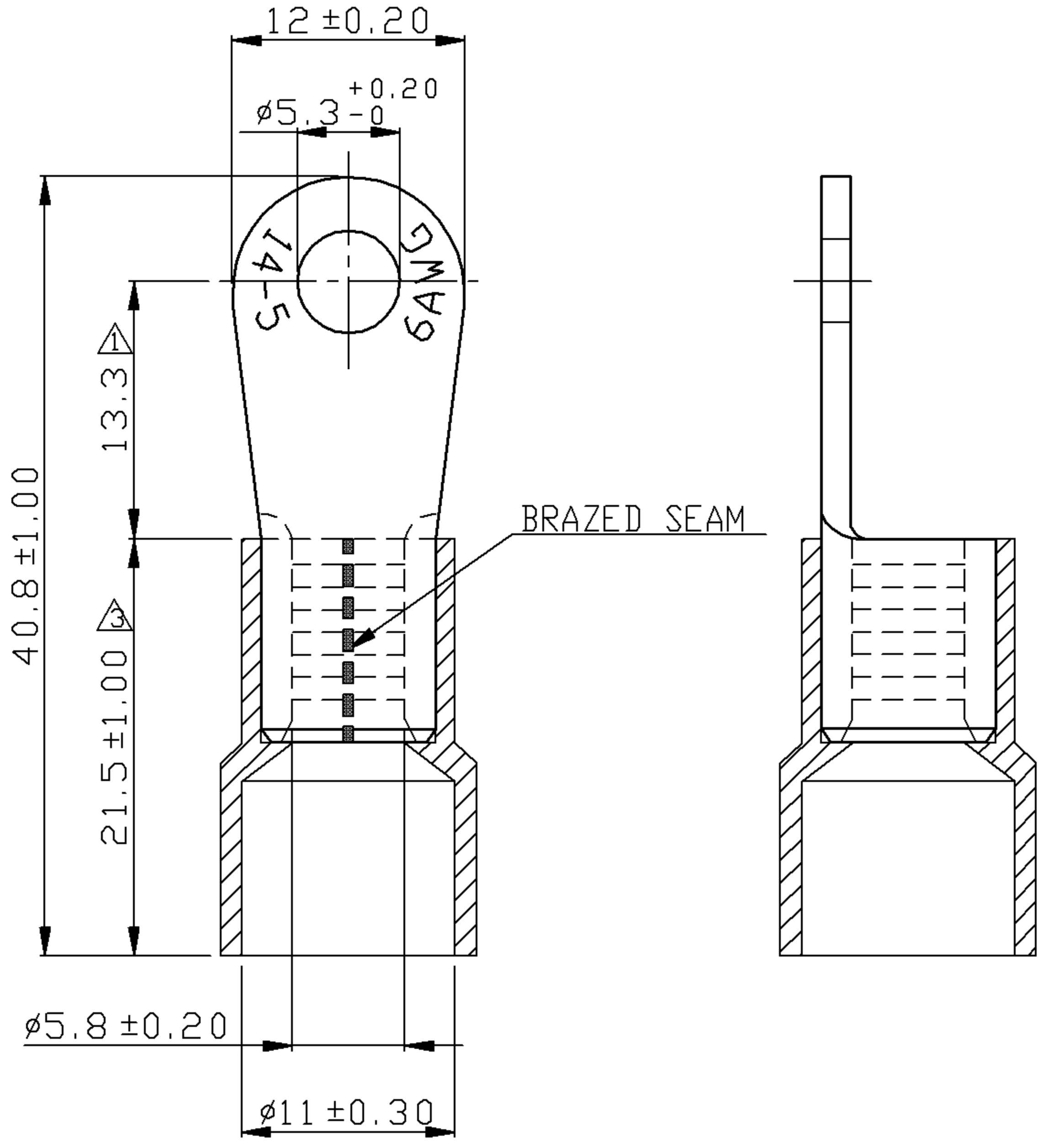
UL Yes
cUL Yes
RoHS Yes

Morris Products 53 Carey Road, Queensbury, NY 12804

www.morrisproducts.com



REV	DESCRIPTION	DATE
△	RDK-97127	2009/09/01
△	RDK-98020	2009/09/01
△	B210- -91018	2009/09/02



- NOTE :
1. MAXIMUM ELECTRIC CURRENT :

A.W.G.	6		
AMP.	95		
 2. MAXIMUM ELECTRICAL RATING : 105°C 600 VOLTS MAX.
 3. INSULATION MATERIAL : NYLON
 4. INSULATION COLOR : BLUE
 5. TERMINAL MATERIAL : COPPER
 6. WIRE RANGE : 6 A.W.G. (14 mm²)
 7. TERMINAL SURFACE TREATMENT : TIN PLATED
 8. TERMINAL THICKNESS : 1.5 mm

△ Tolerance Unless	
□ Otherwise Specified	
0 >	mm ± ANGLE
>	mm ± 0° > ° REF ±
>	mm ± ° > ° ±
>	mm ± ° > ° ±

NAME	NYLON-INSULATED RING TERMINALS			UNIT	mm	
PART NO.	11392	MATERIAL	-----	APPROVE		
NUMBER		SCALE	SHEET	PAGE	CHECKED	
DATE	2006/05/03	2/1	1-3	10F2	DRAWN	

Morris Products Inc.
53 Carey Rd. Queensbury, NY 12804