



**Catalog Number** 11316  
**UPC Number** 60198611316  
**Description** Nylon Insulated Ring Terminals  
 22-16 AWG

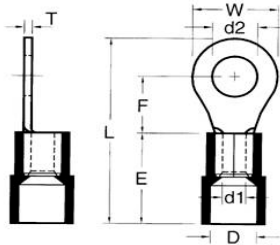


**Features**

- Color Coded insulation for easy identification
- Manufactured from high strength copper alloy
- Electro-tin plated for corrosion resistance
- Expanded Insulation funnel entry eliminates strand “Hang Up”, increases the crimping rates and the reliability of the termination
- Wire range stamped on the surface for easy interpretation
- Brazed seam prevent splitting under maximum pressure
- Serrated barrel & flared position of sleeve provides excellent contact & mechanical stress relief at insulation & barrel junction

**General**

**Insulation Type** Nylon  
**Material** Copper  
**Finish** Electro-tin plated  
**Color** Red  
**Wire Range** 22-16 AWG  
**Stud Size** #8



**Dimension Information**

L Inches (mm) 0.858  
 W Inches (mm) 0.315  
 D Inches (mm) 0.157  
 d1 Inches (mm) 0.067  
 d2 Inches (mm) 0.169  
 E Inches (mm) 0.433  
 F Inches (mm) 0.276  
 T Inches (mm) 0.03

**Specifications**

Temperature Rating 105°C  
 Voltage Rating 600 V  
 Flammability Rating UL94V-O  
 Amp Rating 22 AWG 9 Amps  
 20 AWG 12 Amps  
 18 AWG 17 Amps  
 16 AWG 18 Amps

**Packaging**

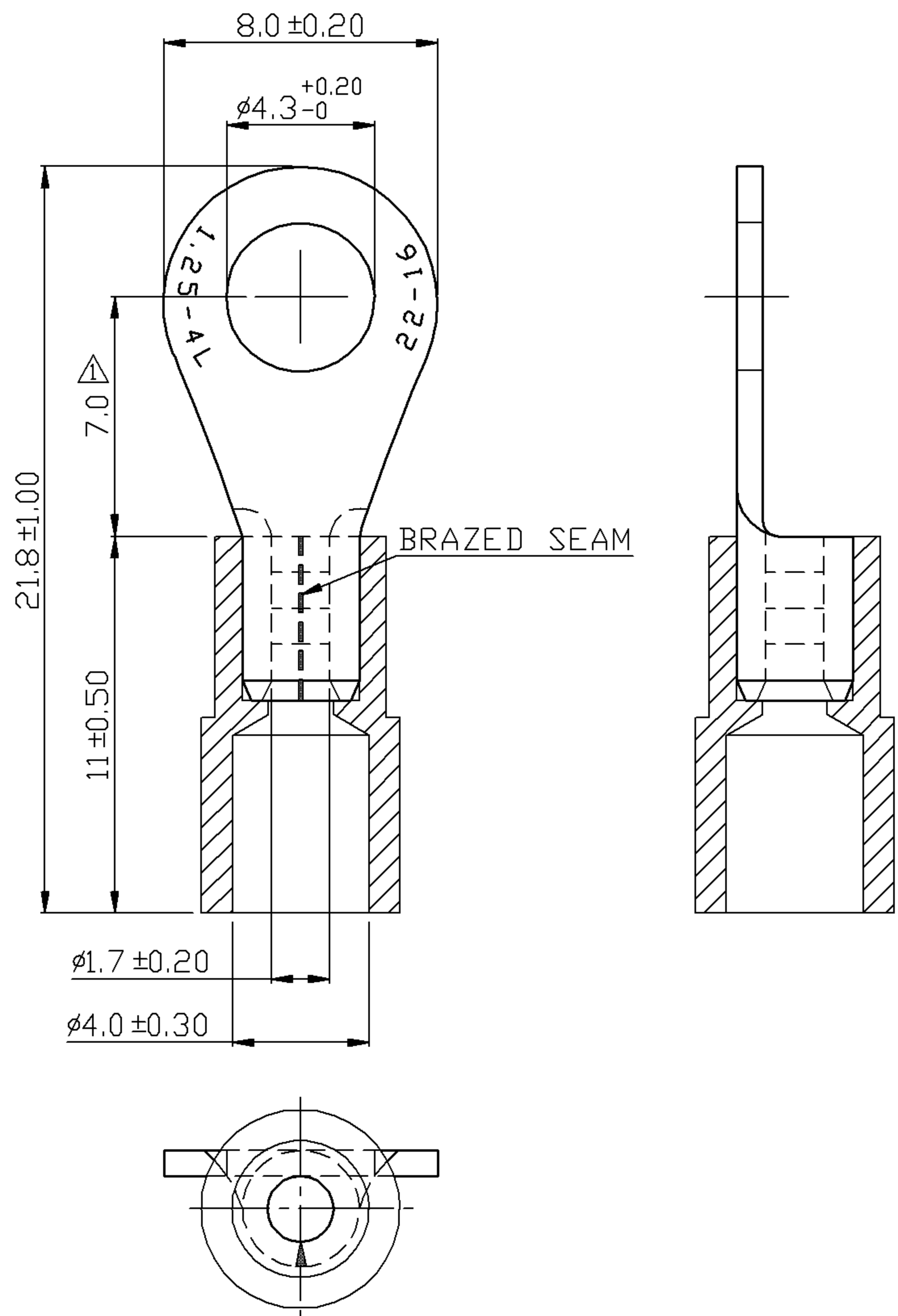
Bag Qty 100  
 Master Bag Qty 1000

**Certifications**

UL Yes  
 cUL Yes  
 RoHS Yes



REV	DESCRIPTION	DATE
△	RDK-97127	2009/09/18
△	RDK-98020	2009/09/18



- NOTE :
- MAXIMUM ELECTRIC CURRENT : 

A.W.G.	22	20	18	16
AMP.	9	12	17	18
  - MAXIMUM ELECTRICAL RATING :  $105^{\circ}\text{C}$  600 VOLTS MAX.
  - INSULATION MATERIAL : NYLON
  - INSULATION COLOR : RED
  - TERMINAL MATERIAL : COPPER
  - WIRE RANGE : 22-16 A.W.G. ( $0.5 - 1.5 \text{ mm}^2$ )
  - TERMINAL SURFACE TREATMENT : TIN PLATED
  - TERMINAL THICKNESS : 0.75 mm

△ Tolerance Unless	
□ Otherwise Specified	
0 >	mm ±
>	mm ±
>	mm ±
>	mm ±
	ANGLE
	$0^{\circ} >$ ° REF ±
	° ° ±
	° ° ±

NAME	NYLON-INSULATED RING TERMINALS				UNIT	mm	
PART NO.	11316	MATERIAL	-----	APPROVE			
NUMBER		SCALE	SHEET	PAGE	CHECKED		
DATE	2007/05/08	4/1	1-2	10F2	DRAWN		

Morris Products Inc.  
53 Carey Rd. Queensbury, NY 12804