



**Catalog Number** 11088  
**UPC Number** 60198611088  
**Description** Non-Insulated Ring Terminals  
 8 AWG



**Features**

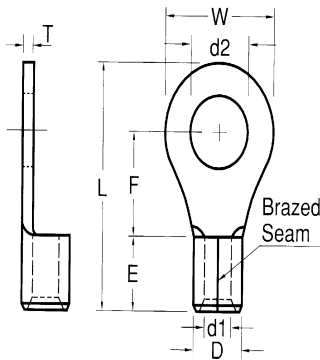
- Non-Insulated
- Manufactured from high strength copper alloy
- Electro-tin plated for corrosion resistance
- Brazed seam prevents splitting under maximum pressure
- Wire range stamped on the surface for easy interpretation

**General**

**Insulation Type** None  
**Material** Copper  
**Finish** Electro-tin plated  
**Color** N/A  
**Wire Range** 8 AWG  
**Stud Size** 1/2

**Dimension Information**

**L Inches (mm)** 1.319  
**W Inches (mm)** 0.787  
**D Inches (mm)** 0.283  
**d1 Inches (mm)** 0.177  
**d2 Inches (mm)** 0.512  
**E Inches (mm)** 0.337  
**F Inches (mm)** 0.591  
**T Inches (mm)** 0.047



**Specifications**

**Temperature Rating** 150°C  
**Voltage Rating** 600 V  
**Flammability Rating** N/A  
**Amp Rating** 8 AWG 70 Amps

**Packaging**

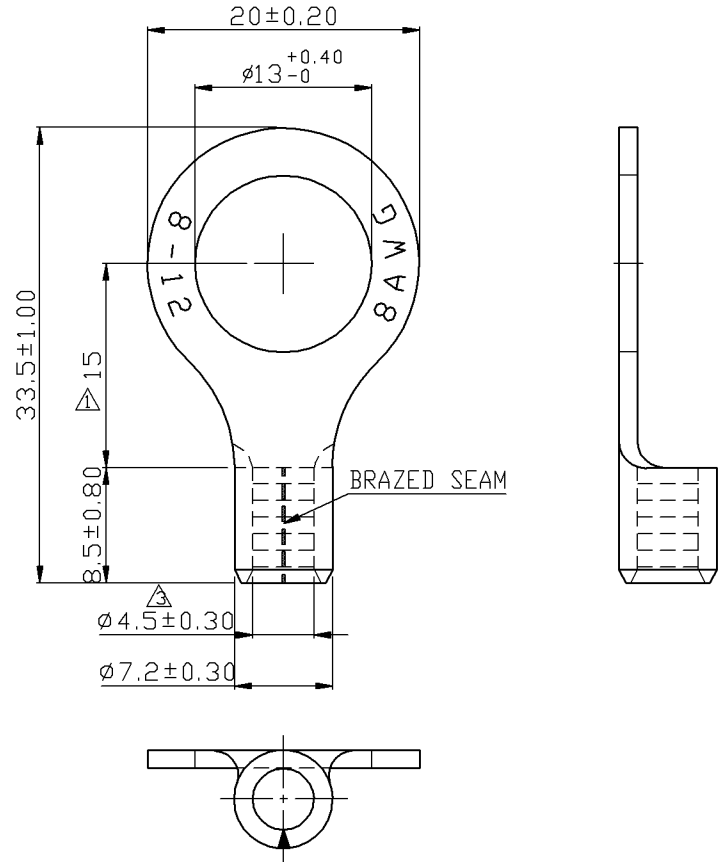
**Bag Qty** 100  
**Master Bag Qty** 1000

**Certifications**

**UL** Yes  
**cUL** Yes  
**RoHS** Yes



REV	DESCRIPTION	DATE
△	RDK-97127	2008/07/18
△	RDK-98020	2009/09/18
△	RDC-99179	2010/05/03



- NOTE :
1. MAXIMUM ELECTRIC CURRENT : 

A.W.G.	8		
AMP.	70		
  2. WIRE RANGE : 8 A.W.G. < 8 mm<sup>2</sup>
  3. SURFACE TREATMENT : TIN PLATED
  4. THICKNESS : 1.20 mm

Tolerance Unless Otherwise Specified	
0 >	mm ± ANGLE
>	mm ± 0° ° REF ±
>	mm ± ° ° ±
>	mm ± ° ° ±

NAME	NON-INSULATED RING TERMINALS			UNIT	mm	
PART NO.	11088	MATERIAL	COPPER	APPROVE		
NUMBER		SCALE	SHEET	PAGE	CHECKED	
DATE	2006/09/25	2/1	1-3	10F2	DRAWN	

Morris Products Inc.