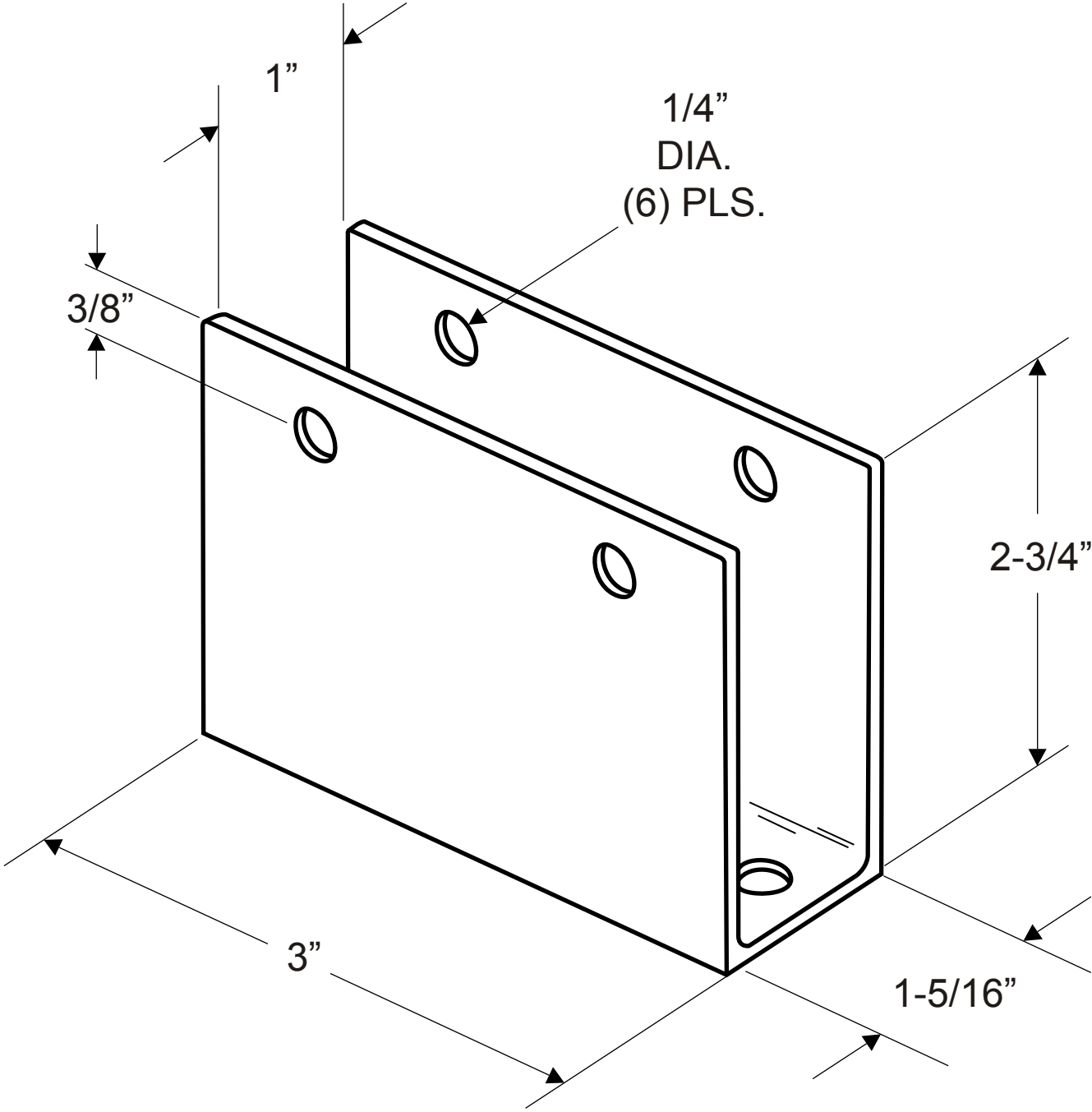


**2324**  
**(U-BRACKET DOUBLE HIGH X-LONG 1")**



**NOTE: ALL WALL THICKNESS AT 1/8"**  
**TWO HOLES IN BASE**