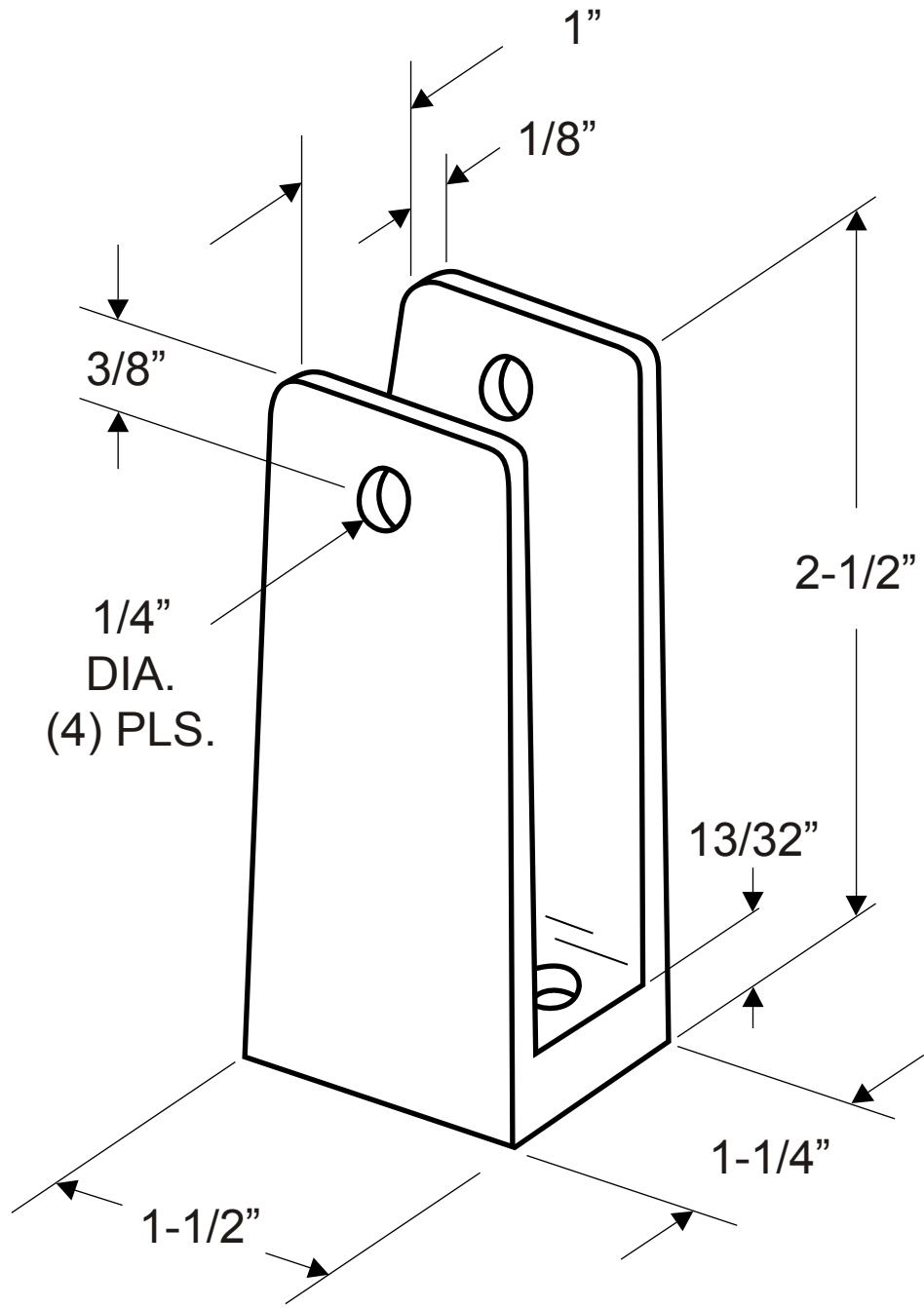


**1920
(U-BRACKET X-LONG 1")**



NOTE: TWO HOLES IN BASE