



	T_A	f			
833.77.786	-20 °C – +35 °C -4 °F – +95 °F	2.4 GHz	2x CR 2032 (3V)	126.7 x 47.2 x 9.5 mm	≥ 136.7 x 57.2 x 19.5 mm

732.28.315

A 2,4 GHz

2x **B** CR2032 3V

C 12 V System

833.73.750

D 24 V System

833.77.787

833.77.721

i

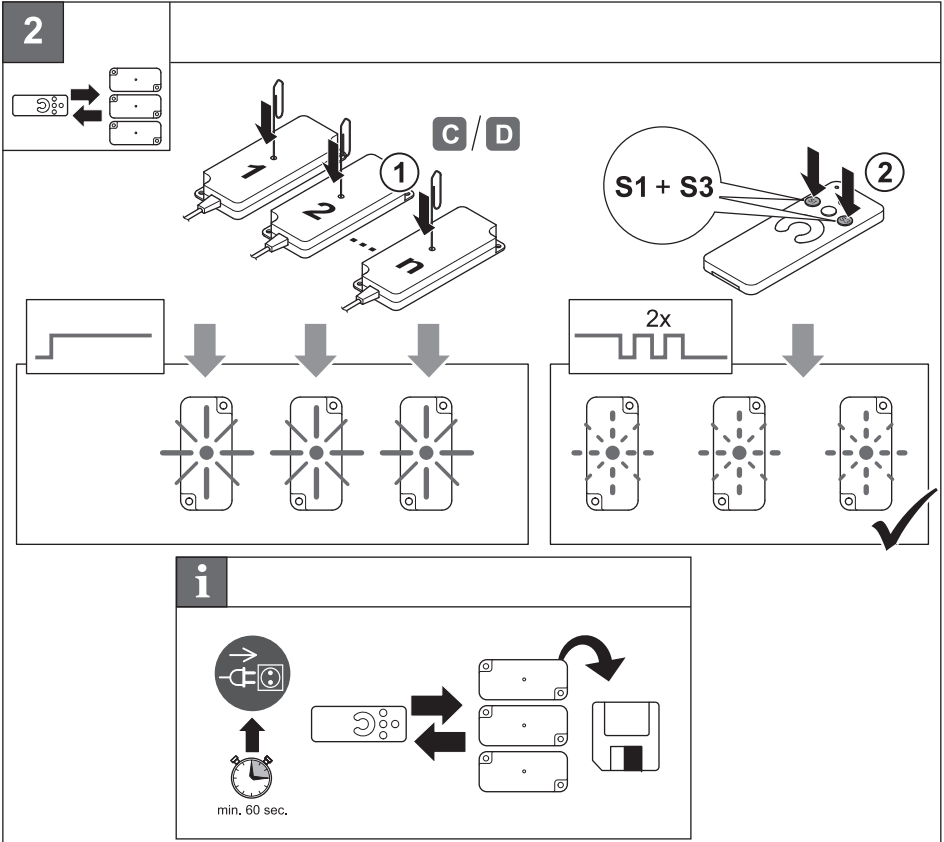
≤ 16 m

HDE 05/2017

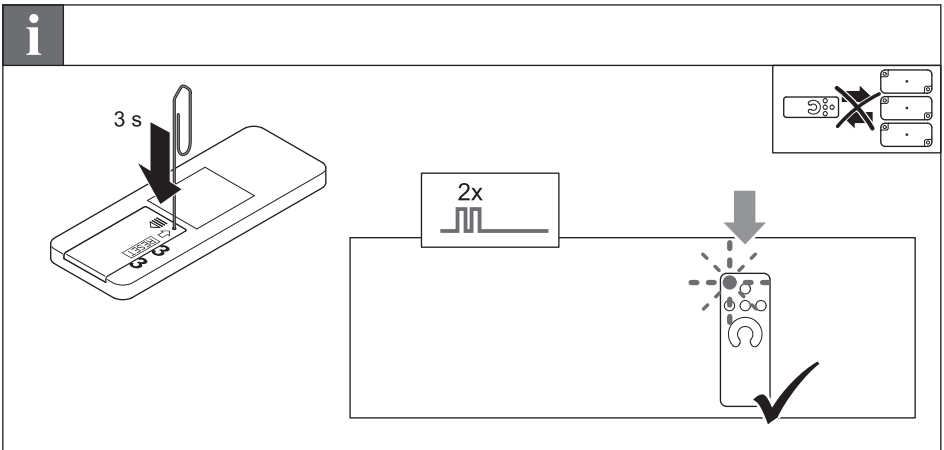
1

2

3

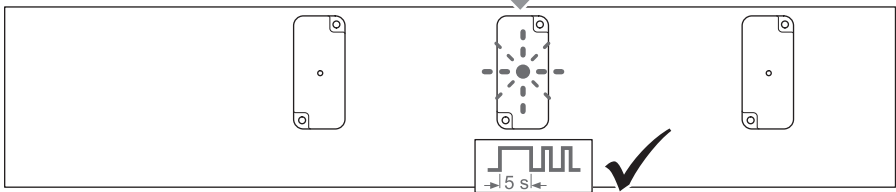
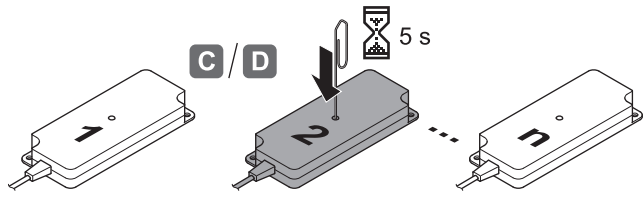
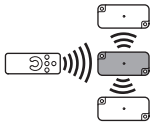


732.2B.315



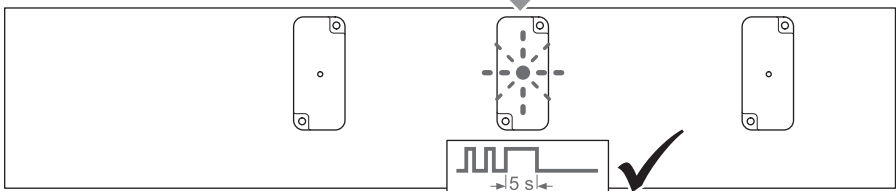
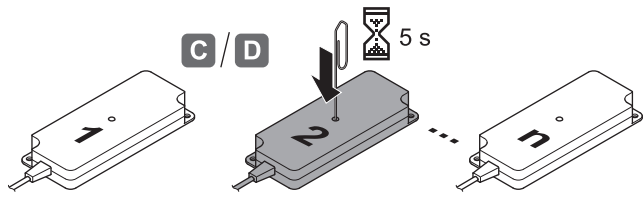
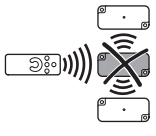
HDE 05/2017

3

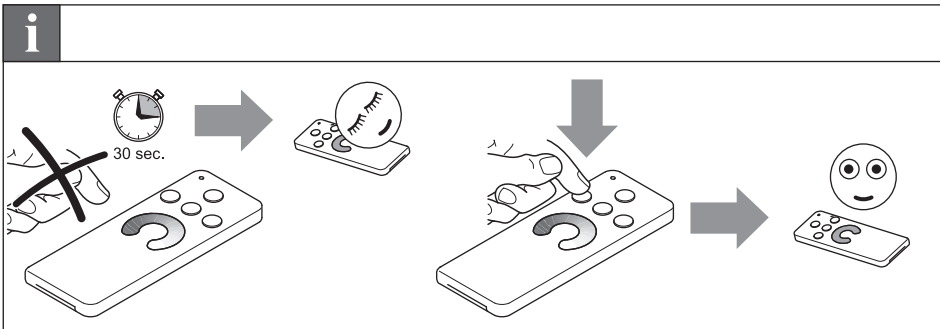
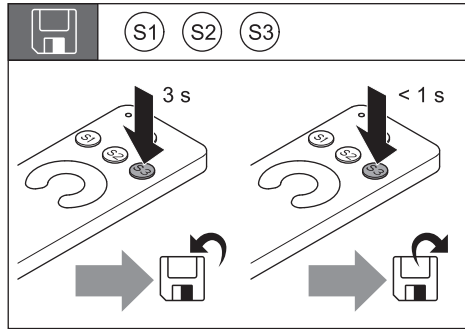
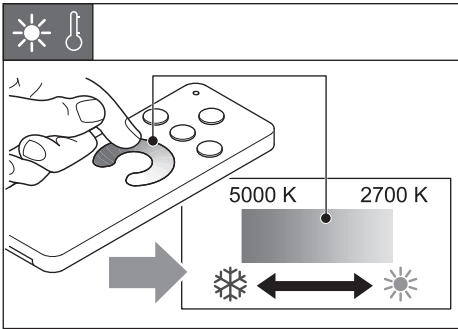
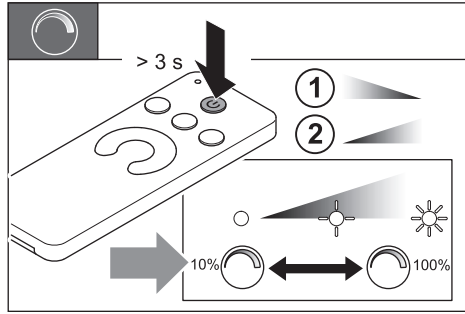
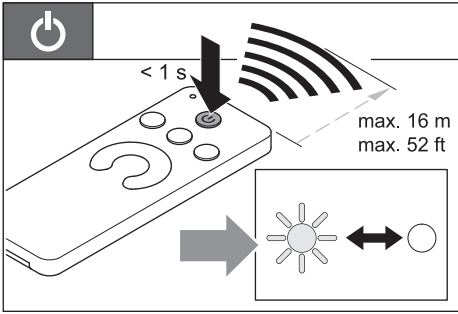


732.28.315

i



HDE 05/2017



732.2B.315

HDE 05/2017